

MAN 4167928
Rev. A 05-2012



MODEL:
75-70587B
ROTARY SWEEPER 54" HYD. RS454



OP / PARTS MANUAL

CALIFORNIA

Proposition 65 Warning

Diesel engine exhaust and some of its constituents are known to the State of California to cause cancer, birth defects and other reproductive harm.

⚠ WARNING

The engine exhaust from this product contains chemicals known to the State of California to cause cancer, birth defects or other reproductive harm.

Californie Proposition 65 Avertissement

Les échappements des moteurs diesel et certains de leurs composés sont reconnus par l'Etat de Californie pour être cancérigènes, provoquer des défauts congénitaux et d'autres dangers en matière de reproduction.

⚠ AVERTISSEMENT

L'émission du moteur de ce matériel contient des produits chimiques que l'Etat de Californie considère être cancérigènes, provoquer des défauts congénitaux et d'autres dangers en matière de reproduction.

California Advertencia de la Proposicion 65

El estado de California hace saber que los gases de escape de los motores diesel y algunos de sus componentes producen cáncer, defectos de nacimiento y otros daños en el proceso de reproducción humana.

⚠ ADVERTENCIA

El estado de California hace saber que los gases de escape de este producto contienen productos químicos que producen cáncer, defectos de nacimiento y otros daños en el proceso de reproducción humana.

CALIFORNIA

Proposition 65 Warning

Battery posts, terminals, wiring insulation, and related accessories contain lead and lead compounds, chemicals known to the State of California to cause cancer and birth defects or other reproductive harm.

WASH HANDS AFTER HANDLING.

ROTARY SWEEPER

IMPORTANT MESSAGE

Thank you for purchasing this Schiller Grounds Care, Inc. product. You have purchased a world class product, one of the best designed and built anywhere.

This product comes with an Owner/Operator's Manual. The useful life and good service you receive from this product depends to a large extent on how well you read and understand this manual. Treat this product properly and adjust it as instructed, and it will give you many years of reliable service.

See a Schiller Grounds Care, Inc. dealer for any service or parts needed. Schiller Grounds Care, Inc. service ensures that you continue to receive the best results possible from Schiller Grounds Care, Inc. products. You can trust Schiller Grounds Care, Inc. replacement parts because they are manufactured with the same high precision and quality as the original parts.

Schiller Grounds Care, Inc. designs and builds its equipment to serve many years in a safe and productive manner. For longest life, use this product only as directed in the manual, keep it in good repair and follow safety warnings and instructions. You'll always be glad you did.

Schiller Grounds Care, Inc.
One Bob Cat Lane
Johnson Creek, WI 53038-0469

TABLE OF CONTENTS	FIGURES	PAGE
DESCRIPTION / SPECIFICATIONS		2
SAFETY		3, 4
DECALS		5
INSTALLATION INSTRUCTIONS		6-9
OPERATION.....		10
SERVICE.....		11, 12
PARTS SECTION.....		13
BRUSH MAIN FRAME PARTS.....	FIGURE 1	14, 15
HITCH PARTS.....	FIGURE 2	16, 17
PIVOT FRAME PARTS.....	FIGURE 3	18, 19
HYDRAULIC PARTS	FIGURE 4	20, 21
ELECTRICAL	FIGURE 5	22
BELT CHART.....	FIGURE 6	23

DESCRIPTION / SPECIFICATIONS

ROTARY SWEEPER

DESCRIPTION

Clear away leaves and debris on pathways, parking lots, sidewalks, and driveways with this 54 inch wide rotary sweeper. The reversible, hardwearing nylon brush has hydraulically controlled angling for left and right hand operation. Speed and direction of rotation are controlled electrically, from the operator's seat. Caster wheels reduce ground pressure on the broom for longer life.

SPECIFICATIONS

Brush Diameter.....	24"
Brush Speed.....	265 RPM
Brush Width.....	54"
Overall Width.....	62"
Caster Wheels.....	Adjustable Height
Hydraulic Angling.....	30 degrees left or right
Reversible?.....	Yes
Variable Speed.....	Infinitely Adjustable
Weight.....	475 lbs.

These specifications are subject to change without notice.

ROTARY SWEEPER

NOTICE !!!

Unauthorized modifications may present **extreme** safety hazards to operators and bystanders and could also result in product damage.

Schiller Grounds Care, Inc. strongly warns against, rejects and disclaims any modifications, add-on accessories or product alterations that are not designed, developed, tested and approved by Schiller Grounds Care, Inc. Engineering Department. Any Schiller Grounds Care, Inc. product that is altered, modified or changed in any manner not specifically authorized after original manufacture—including the addition of “after-market” accessories or component parts not specifically approved by Schiller Grounds Care, Inc.—will result in the Schiller Grounds Care, Inc. Warranty being voided.

Any and all liability for personal injury and/or property damage caused by any unauthorized modifications, add-on accessories or products not approved by Schiller Grounds Care, Inc. will be considered the responsibility of the individual(s) or company designing and/or making such changes. Schiller Grounds Care, Inc. will vigorously pursue full indemnification and costs from any party responsible for such unauthorized post-manufacture modifications and/or accessories should personal injury and/or property damage result.



This symbol means:
ATTENTION!
BECOME ALERT!

Your safety and the safety of others is involved.

Signal word definitions:

The signal words below are used to identify levels of hazard seriousness. These words appear in this manual and on the safety labels attached to Schiller Grounds Care, Inc. machines. For your safety and the safety of others, read and follow the information given with these signal words and/or the symbol shown above.

DANGER

DANGER indicates an imminently hazardous situation which, if not avoided, **WILL** result in death or serious injury.

WARNING

WARNING indicates a potentially hazardous situation which, if not avoided, **COULD** result in death or serious injury.

CAUTION

CAUTION indicates a potentially hazardous situation which, if not avoided, **MAY** result in minor or moderate injury. It may also be used to alert against unsafe practices or property damage.

CAUTION

CAUTION used without the safety alert symbol indicates a potentially hazardous situation which, if not avoided, **MAY** result in property damage

Schiller Grounds Care, Inc.

One Bobcat Lane
Johnson Creek, WI 53038 U.S.A
Phone: 920-699-2000
Fax: 920-699-3683

MODEL NUMBER

SERIAL NUMBER

MODEL NUMBER: This number appears on sales literature, technical manuals and price lists.

SERIAL NUMBER: This number appears only on your mower. It contains the model number followed consecutively by the serial number. Use this number when ordering parts or seeking warranty information.

GENERAL SAFETY

- Read and understand the owner's manual, before attempting to operate this machine.
- Operate all controls from the operator's seat, (if so equipped). **NO RIDERS.**
- Keep all shields in place and safety switches adjusted properly.
- Do not leave equipment unattended. STOP the engine and remove the key (if so equipped).
- Do not allow minors or the inexperienced to operate this machine.
- Never allow anyone to operate or service this machine while under the influence of alcohol or drugs.
- Keep people and pets a safe distance away from machines using power driven attachments. Injury could result from flying debris.
- Wear all the necessary protective clothing and personal safety devices to protect your head, eyes, ears, hands, and feet.
- Operate the machine only in daylight or in good artificial light.

DANGER

KEEP HANDS AND FEET AWAY FROM ROTATING BRUSH.

CAUTION

BE ALERT FOR DEBRIS IN THE PATH OF THE SWEEPER. OBJECTS CAN BE PROPELLED CAUSING INJURY TO BYSTANDERS OR DAMAGE TO THE ATTACHMENT



Location: Rear of Unit



Location: Sides of Hydraulic Tank
and Rear Edge of Brush Frame



Location: Under Chain Shield



Location: On Rear of Unit and
Both Top Front Corners



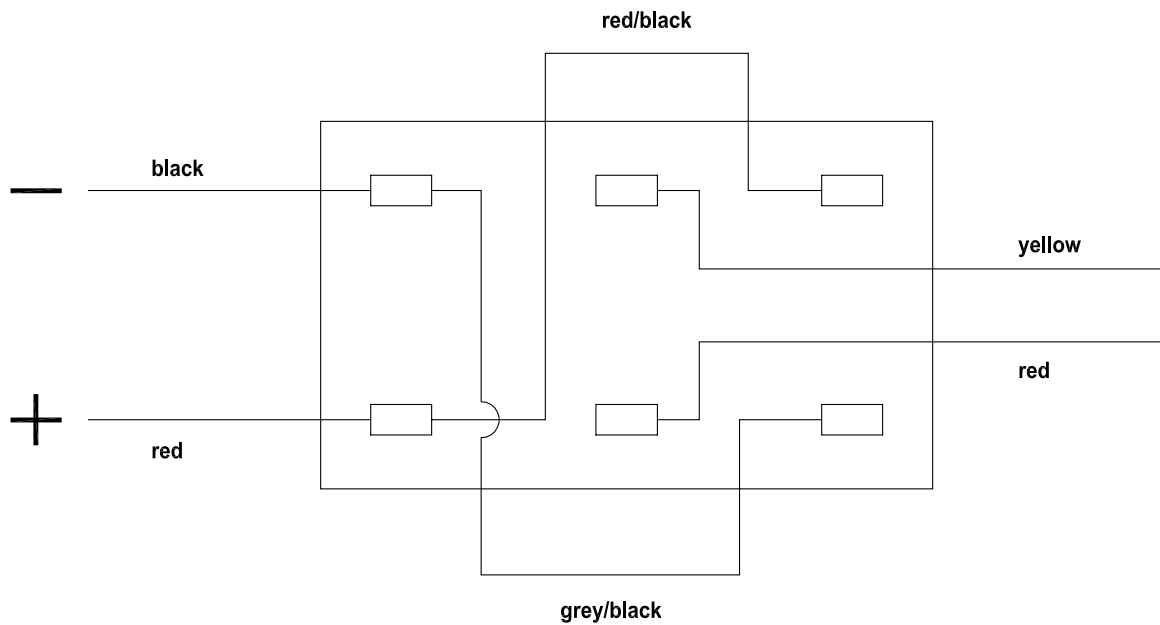
Location: Upper and Lower
Chain Shields



Location: On Top of Unit

GENERAL INSTRUCTIONS

Refer to the specific model and engine listings for detailed installation instructions. The outlet locations are suggested, but when the outlet is mounted at a customer specified location, additional wiring may be needed. The wiring must be cut to length, protective mesh installed over the wires and connectors crimped to the wiring. Tie or tape the wires to prevent them from touching the hot manifold or moving parts. In all installations the circuitry must follow the diagram shown here and as outlined in this section.



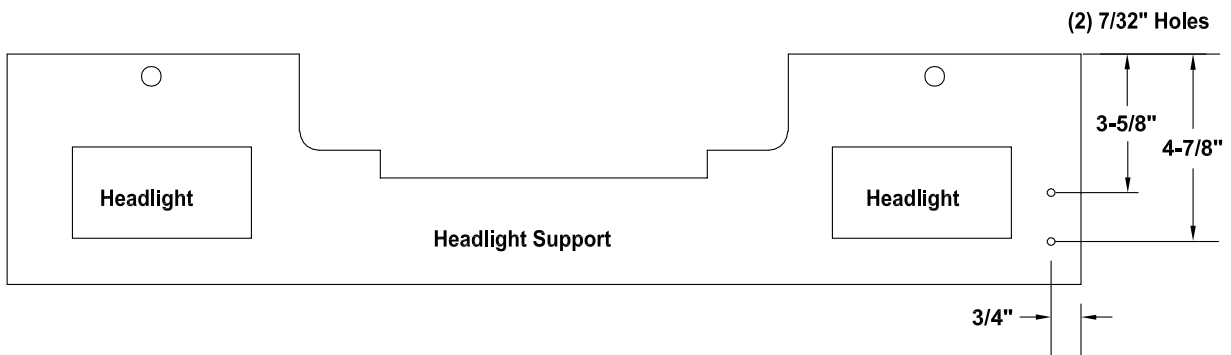
TOGGLE SWITCH WIRING

ROTARY SWEEPER

INSTALLATION INSTRUCTIONS

MODEL 230 & 235

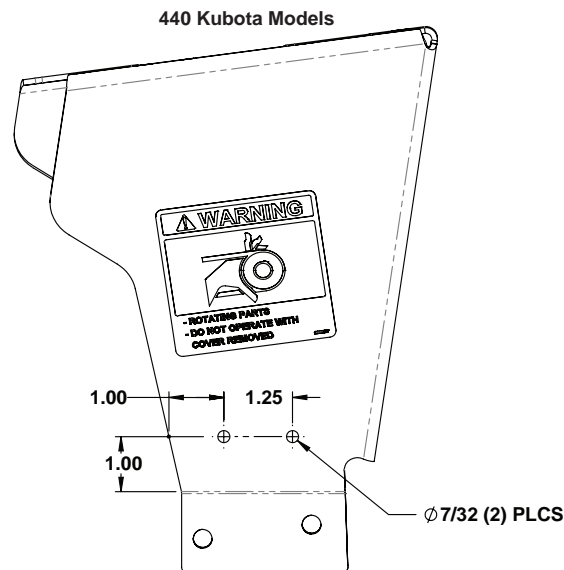
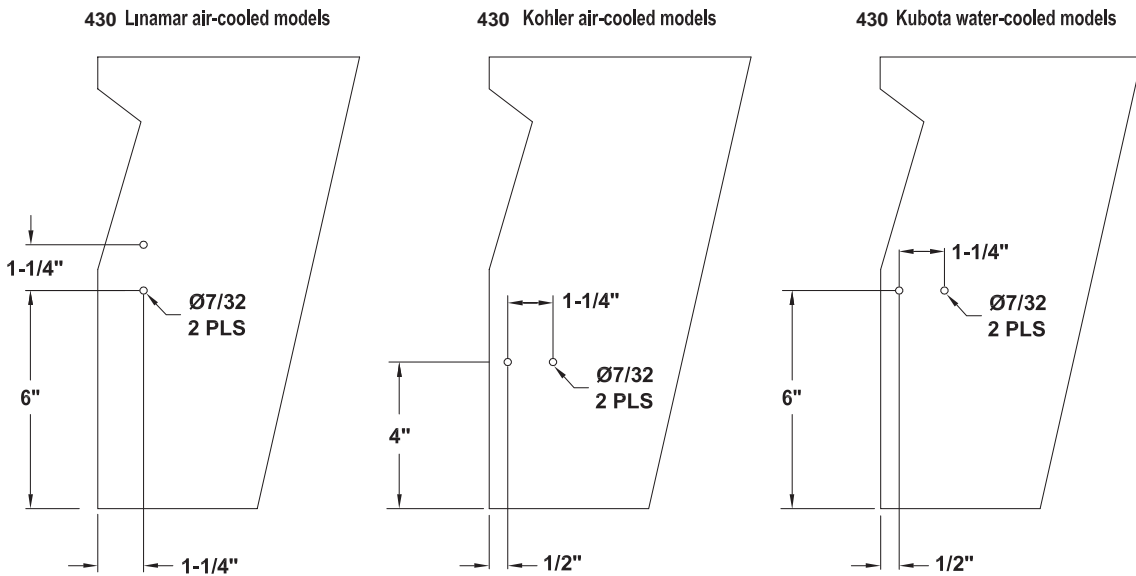
1. Remove the front dash cover.
2. Using the drawing below, drill (2) $7/32$ " holes in the left side of the headlight support.
3. Mount the female half of 30-111 electrical outlet to the headlight support using (2) 10-24 X $1/2$ (64152-06) screws and nylon locknuts (64229-10).
4. Install the toggle switch into the dash using the existing hole on the bottom edge on the right side of the dash.
5. On wire harness 30-403 (red and black wires) attach black wire using $1/4$ " ring terminal to ground bolt inside dash. Attach red wire to longest stud on circuit breaker inside dash using #10 eye terminal. Wires may be shortened if necessary prior to installing eye terminals.
6. On wire harness 30-405 (red and yellow wires) route wires to female outlet and attach using two #10 eye terminals. Wires may be shortened if necessary prior to attaching eye terminals.
7. Replace front dash cover.



LOCATION OF HOLES TO BE DRILLED

MODEL 430

1. Follow drawing below to locate and drill holes for the female half of 30-111 plug assembly. Attach with (2) 10-24 X 1/2 (64152-06) screws and nylon locknuts (64229-10).
2. Install the toggle switch in one of the slots below the dash near the operator's right knee when seated on the tractor. It may be necessary to file slot to allow switch to fit.
3. On wire harness 30-403 (red and black wires), red wire attaches to 30 amp breaker under dash using #10 terminal. Attach to the longer of two studs on breaker. Black wire attaches to 1/4" bolt at valve body mount using 1/4" eye terminal. Wires may be shortened if necessary before attaching terminals.
4. On wire harness 30-405 (red and yellow wires) route to female half of 30-111 plug assembly and attach using two #10 eye terminals. Wires may be shortened if necessary before attaching wire terminals.



MODEL 525

1. Remove the center floor plate.
2. Install the supplied 525 switch mount to the top inside corner of the right fender using the top valve body mounting bolt.
3. Install toggle switch in switch mount.
4. Install the female half of 30-111 outlet to the supplied outlet mount using two #10-24 X 1/2 screws and nylon locknuts.
5. Install the outlet mount assembly to the bottom right side of the radiator cowl using the two existing cowl mounting bolts. The outlet assembly should be mounted so the male plug goes in from the front.
6. On wire harness 30-403 (red and black wires) attach the supplied fuse holder to the red wire using a butt connector. Attach a 1/4" eye terminal to the other end of the fuse holder. Attach the 1/4" eye terminal to the breaker near the battery inside the battery compartment. Attach a 5/16" eye terminal to the black wire and attach wire to the negative battery post. Wires may be shortened if necessary prior to installing fuse holder and eye terminals.
7. On wire harness 30-405 (red and yellow wires) route down through battery compartment along hydraulic hoses, under center floor, and up to female electric connector that was mounted on side of radiator cowl in previous step. Attach two #10 eye terminals to wires and attach wires to female electrical outlet.
8. Replace center floor plate.

OPERATING PRECAUTIONS

Observe all Safety Decals.

Keep all Shields in place.



Before leaving tractor, move Forward - Reverse control to neutral position, disengage PTO, set parking brake, and stop engine.

MOUNTING INSTRUCTIONS

1. Install drive belt over left hitch arm and move tractor into position until the quick hitch can be latched.
2. Stop engine and install drive belt.
3. Connect cylinder hoses to the auxiliary outlets.
4. Connect the 12V plug to the outlet mounted on the power unit.

CAUTION

RUNNING BRUSH IN REVERSE MAY THROW DEBRIS IN OPERATOR'S DIRECTION. USE EXTREME CAUTION. OPERATE BRUSH ONLY AT A LOW SPEED.

OPERATING INSTRUCTIONS

1. Adjust sweeper angle to the right, left or straight ahead position using the auxiliary hydraulic control lever.
2. Engage PTO and set engine speed.
3. Lower sweeper by placing lift in FLOAT position.
4. Move forward slowly.

CAUTION

BE ALERT FOR OBJECTS IN THE PATH OF THE SWEEPER. POWER DRIVEN BRUSH MAY THROW OBJECTS CAUSING DAMAGE TO PROPERTY OR INJURY TO BYSTANDERS.

MAINTENANCE

Daily Maintenance:

- » Check for signs of loose or missing bolts etc. Tighten or replace as needed.
- » Remove plastic plug in chain shield and check chain. Lube with roller chain lube or #30 oil. Chain should not run "dry".
Note: Plastic plug is in top shield.
- » Check oil level in reservoir. Oil level should be approximately 2" from the top. Fill only with Steiner Trans-Hydraulic Oil or Texas Refinery Corp. 6440 Universal Torque Fluid.
- » Inspect hoses for signs of wear, kinks, fatigue, or leaks.
Note: The quick couplers will leak a small amount of oil when disconnected, so keep hoses clean so that if a leak develops it can be detected early.

WARNING

If a hydraulic leak is suspected, use a piece of cardboard or wood, not your hands, to check for leaks. Escaping hydraulic oil under pressure can have sufficient force to penetrate skin and cause serious injury.

Weekly Maintenance:

In addition to daily maintenance:

- » Grease (2) brush bearings, (1) swivel ball in pivot frame, (2) caster wheels, and (2) caster pivots.
- » Lube and adjust roller chain as needed.
Remove plastic plug from top shield to inspect and lube chain.

Hydraulic System:

- » Initial filter and oil change at 50 hours, thereafter, annually or 250 hours, whichever comes first. Oil tank capacity is 5.5 gallons.

Storage:

- » Clean entire machine and support on blocks to keep brush off the floor. Weight on the brush bristles will distort the shape of the brush.

ADJUSTMENTS

Drive Chain Adjustment:

Chain tension is set by an idler sprocket mounted on a chain tensioner. Proper tension is 1/4" chain deflection between the brush sprocket and drive sprocket.

Remove the plastic plug from the bottom chain shield. Insert a 9/16 socket and socket extension through hole in bottom shield. Loosen flange bolt holding the chain tensioner to the brush frame. Locate the tensioner adjusting bolt (square head set screw). Loosen the locking jam nut on the adjusting bolt. Turn the adjusting bolt until proper tension is achieved. Tighten the flange bolt and the jam nut. Replace plastic plug in shield.

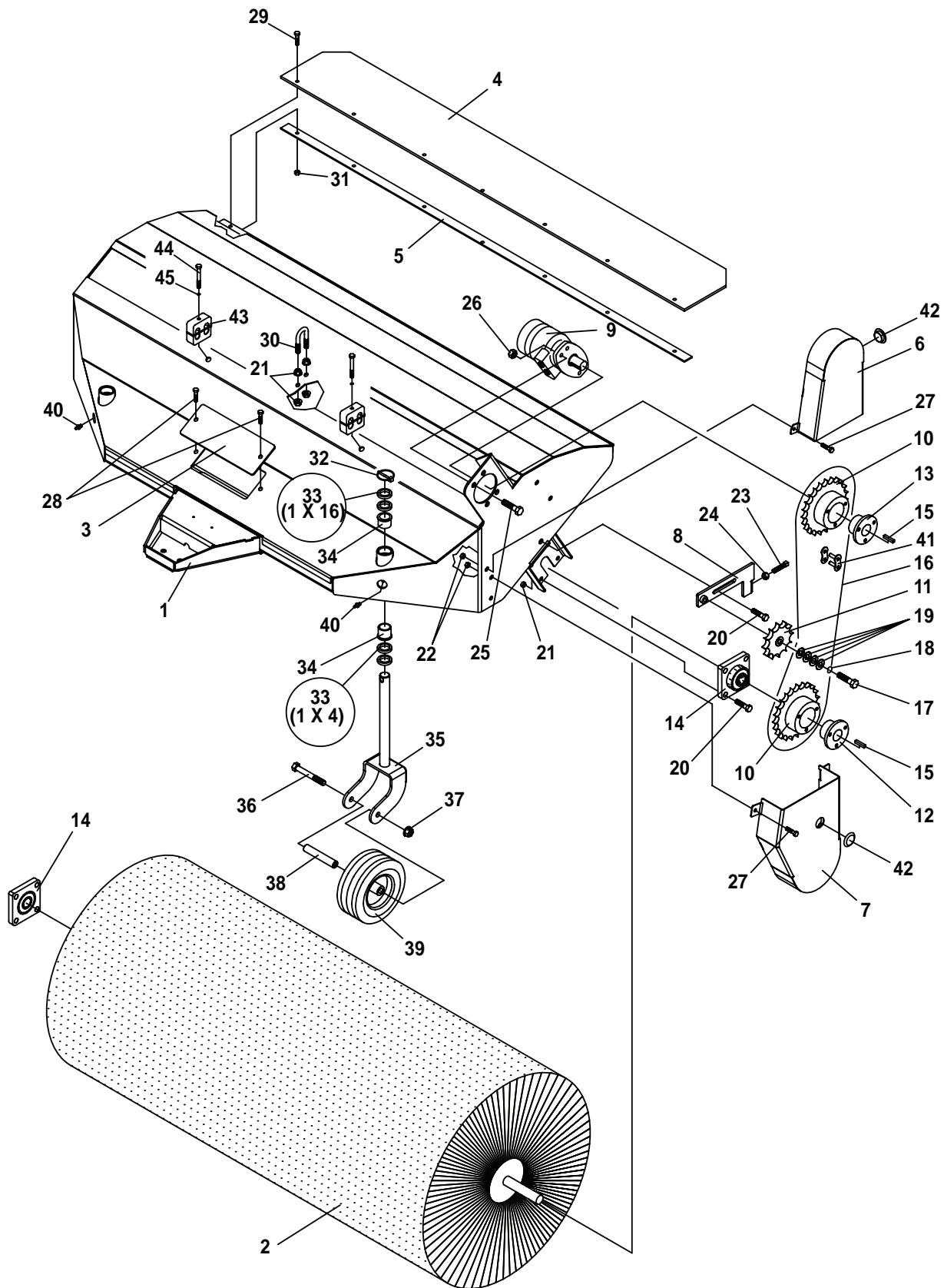
Gauge Wheel Adjustment:

The gauge wheels allow the sweeper to follow the contour of the surface. The height is adjustable in 1/4" increments by moving the spacers on the caster wheel frame. The correct height adjustment is when the broom just touches the surface and provides a "clean sweep". Excessive broom wear and power requirements may result from settings which are too low.

BRUSH MAIN FRAME PARTS

FIGURE 1

ROTARY SWEEPER



ROTARY SWEEPER

BRUSH MAIN FRAME PARTS

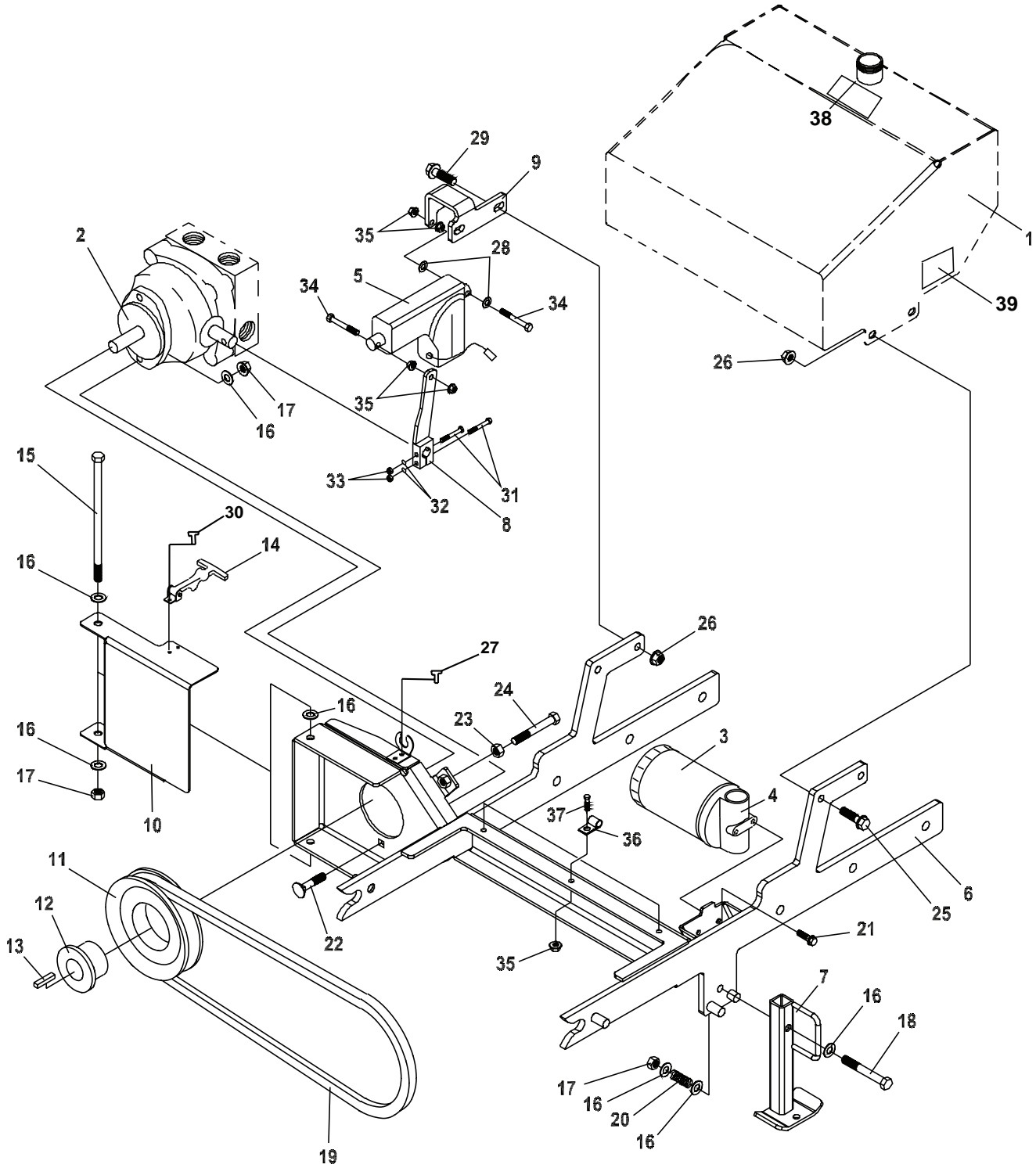
FIGURE 1

ITEM	PART NO.	DESCRIPTION	QTY	ITEM	PART NO.	DESCRIPTION	QTY
1	4165436	FRAME, MAIN BRUSH	1	31	64141-2	NUT-WLF 1/4-20	7
2	6124037	BRUSH, 24" DIA. X 54" LNG	1	32	64173-04	QUICK PIN, 7/16 X 2	2
3	6124040.7	COVER, ACCESS	1	33	6112057	SPACER ENGINE PULLEY	40
4	6124017	GUARD, FRONT	1	34	48053-2A	BUSHING-FLANGED	4
5	6124016.7	RETAINER, GUARD	1	35	6124030.17	YOKE, CASTER	2
6	4165434	TOP CHAIN GUARD	1	36	64123-135	BLT-HEX 1/2-13X5	2
7	4165435	BOTTOM CHAIN GUARD	1	37	64141-13	NUT WLF 1/2-13	2
8	6124057.7	TENSIONER, CHAIN	1	38	6101062	AXLE, CASTER WHEEL	2
9	21-118	MOTOR, HYD. 12.0 CIR	1	39	53-181	WHEEL, 6.25 X 3.00	2
10	83-H60P22	SPROCKET, #60 22-TTH	2	40	29-053	GREASE FITTING, 1/4-28	2
11	83-6015E08	IDLER-SPRKT#60 15-TTH	1	41	81-024	CONNECTOR LINK	1
12	83-P116	BUSHING	1	42	06-058	CAP PLUG, 1-1/8"	2
13	83-P120	BUSHING, 1-1/4 P1	1	43	11-051	CLAMP	2
14	55-FB22016	FLANGE BEARING	2	44	64123-64	BLT-HEX 5/16-18X2-1/4	2
15	64164-40	KEY, 1/4" X 1/4" X 1-3/4" LG	2	45	64006-02	LOCKWASHER-HEL 5/16	2
16	56-RC60-52	CHAIN, ROLLER 52-3/8 LNG	1	46*	04-010	INSERT-5/16-18 .150 GRIP	2
17	64123-05	BLT-HEX 1/2-20X1-1/2	1	47*	04-009	INSERT-1/4-20 .165 GRIP	2
18	64006-05	LOCKWSHR-HELICAL 1/2	1				
19	F5054	WSHR-MACH 1/2X7/8X.032 A/R				*NOT ILLUSTRATED	
20	64139-24	BLT-WLF 3/8-16 X 1	9				
21	64141-4	NUT-WLF 3/8-16	20				
22	64141-6	NUT, 5/16-18	4				
23	85-SS22	SET SCREW,3/8-16X3	1				
24	64001-6	NUT-HEX JAM,3/8-16	1				
25	64123-117	BOLT-HEX 1/2-13X1-1/2	4				
26	64229-05	LOCKNUT, 1/2-13 NYLON	4				
27	64139-08	BOLT-5/16-18X3/4	4				
28	64139-02	BLT-WLF 1/4-20X1/2	2				
29	64139-04	BOLT-WLF 1/4-20X3/4	7				
30	99-K48	U-BOLT, 1"ID X 2-1/4"LONG	1				

HITCH PARTS

ROTARY SWEEPER

FIGURE 2



ROTARY SWEEPER

HITCH PARTS

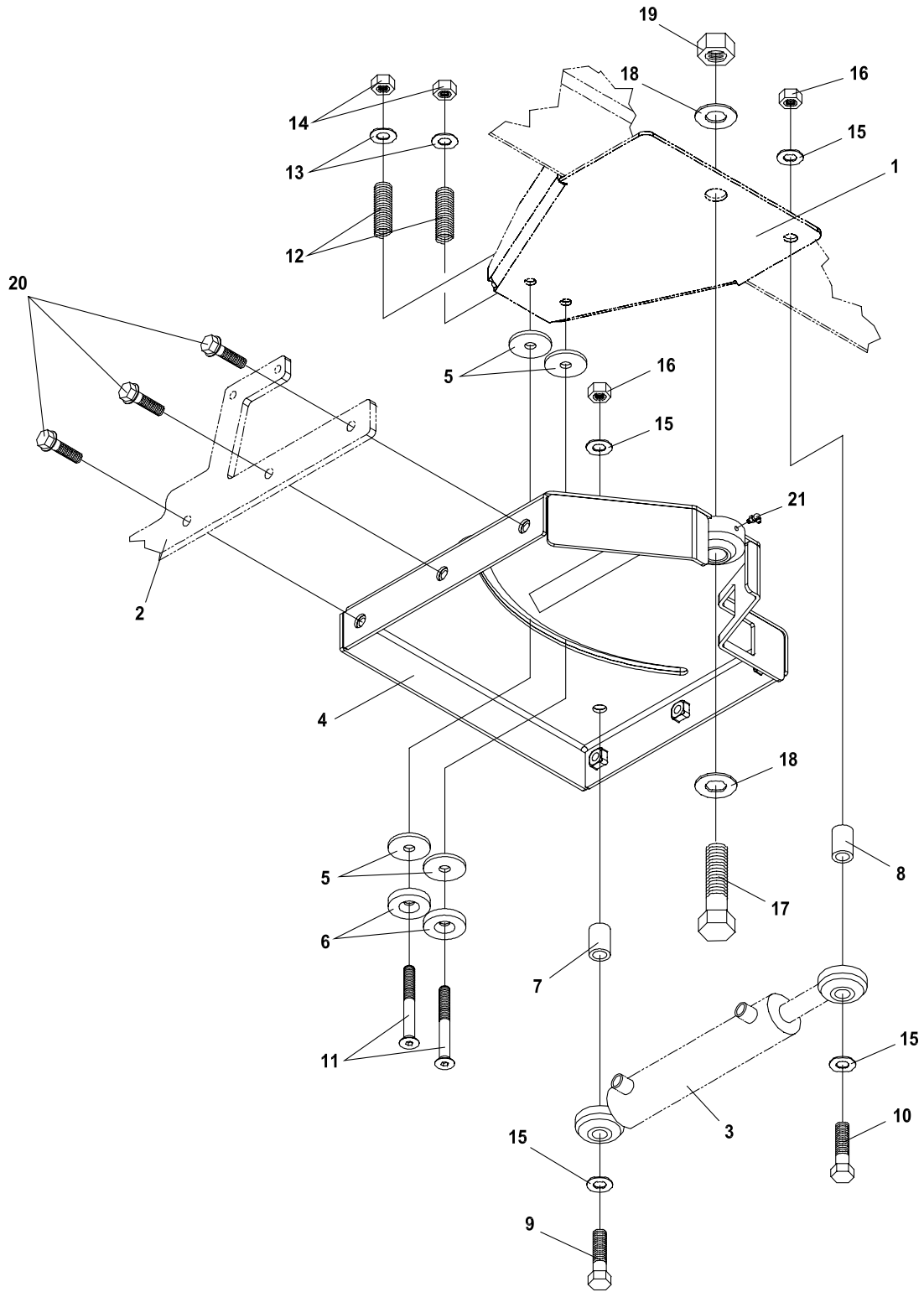
FIGURE 2

ITEM	PART NO.	DESCRIPTION	QTY	ITEM	PART NO.	DESCRIPTION	QTY
1	4165433	TANK, HYD. OIL	1				
2	4165652	PUMP, HYDROSTATIC 16cc	1				
3	21-093	FILTER, HYDRAULIC	1				
4	21-095	FILTER HEAD	1				
5	37-030	ACTUATOR	1				
6	6124074.17	HITCH-FRAME RS454	1				
7	6124060.7	STAND, SUPPORT	1				
8	6124064.7	ARM, ACTUATOR	1				
9	6124071.7	MOUNT-ACTUATOR	1				
10	6124048.7	SHIELD, PULLEY	1				
11	83-BK60H	PULLEY, FOR 60" DECK	1				
12	83-H17MM	BUSHING	1				
13	64238-03	KEY	1				
14	47-090	LATCH	1				
15	90-0664	BOLT,3/8-16 X 8	1				
16	64163-61	WSHR .81X.406X16GA	9				
17	64229-03	LOCKNUT-NYLON 3/8-16	4				
18	64123-75	BOLT, 3/8-16X3 HEX	1				
19	SEE BELT CHART PAGE 23		1				
20	41-053	SPRING,COMP .681 X 1.125	1				
21	64139-02	BLT-WLF 1/4-20X1/2	2				
22	64018-7	BLT-CRG 3/8-16X1-1/4	2				
23	64001-6	NUT-HEX JAM,3/8-16	1				
24	85-SS10	SET SCREW, 3/8-16 X 1-1/2	1				
25	64139-24	BLT-WLF 3/8-16 X 1	2				
26	64141-4	NUT-WLF 3/8-16	4				
27	04-007	POP RIVET, 1/8X1/4 SS	2				
28	64163-03	WSHR-.256ID X.62OD X 18	2				
29	64139-18	BLT-WLF 3/8-16X1-1/4	2				
30	04-008	POP RIVET, 1/8X1/8 SS	2				
31	64205-014	BLT-MET M6-1X35	2				
32	64006-01	LOCKWASHER, 6MM	2				
33	64207-06	NUT-HEX M6-1	2				
34	90-0414	BOLT,1/4-20 X 1-3/4	2				
35	64141-2	NUT-WLF 1/4-20	7				
36	48228A	CABLE CLIP-INSULATED	3				
37	64139-04	BLT-WLF 1/4-20 X 3/4	3				
38	00-074	DECAL-HYDRA. OIL SYMBOL	1				
39	00-282	DECAL-CLOSE CLEARANCE	2				

PIVOT FRAME PARTS

ROTARY SWEEPER

FIGURE 3



ROTARY SWEEPER

PIVOT FRAME PARTS

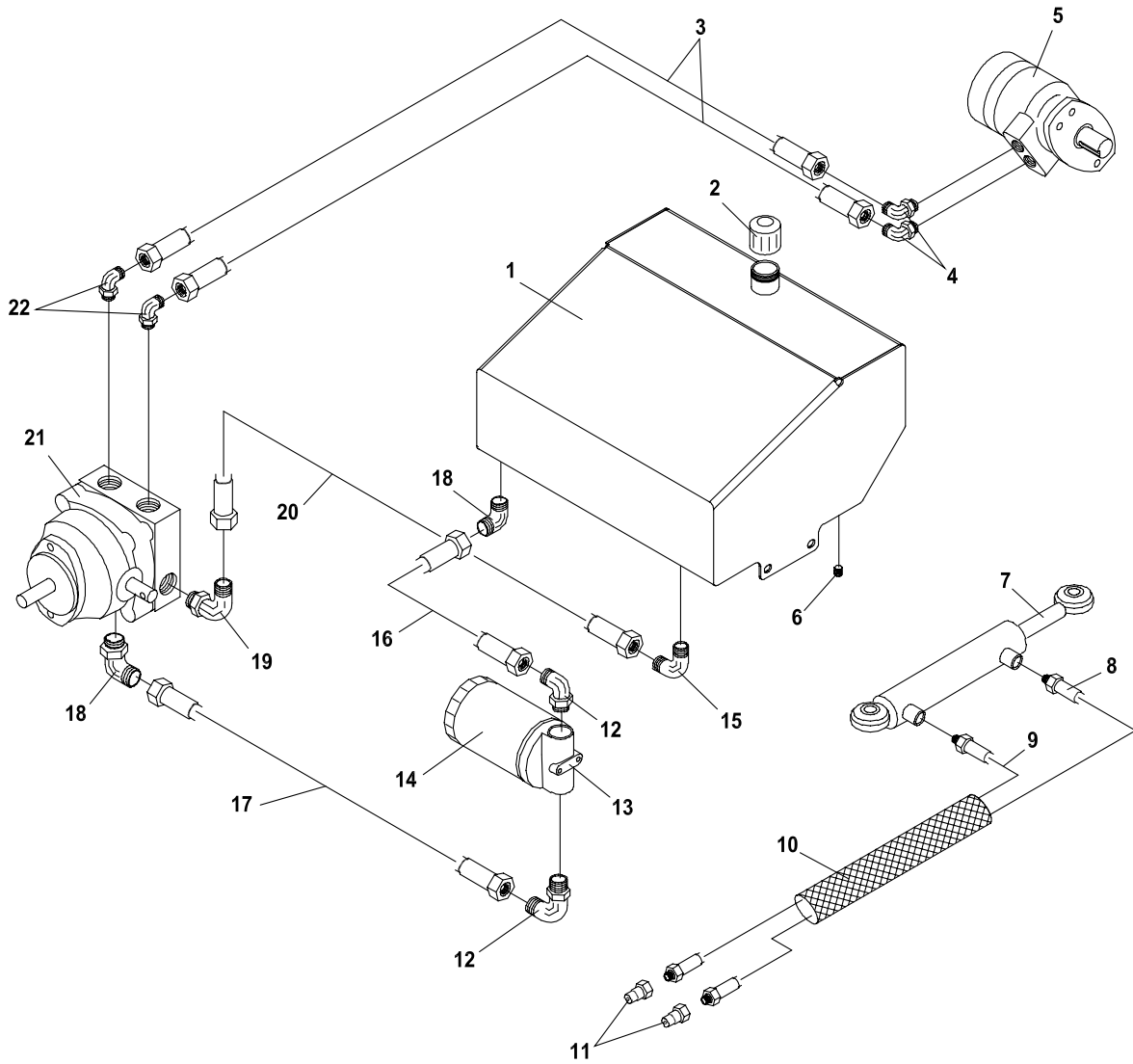
FIGURE 3

ITEM	PART NO.	DESCRIPTION	QTY	ITEM	PART NO.	DESCRIPTION	QTY
1	4165436	FRAME, MAIN BRUSH	1				
2	6124074.17	HITCH-FRAME RS454	1				
3	23-058	CYLINDER, 1-1/2 X 5 DUMP	1				
4	6124042.17	PIVOT FRAME	1				
5	6124041	WASHER, NYLON	4				
6	6124018	WASHER, BACKING	2				
7	6124066	SPACER-CYLINDER REAR	1				
8	6124067	SPACER-CYLINDER FRONT	1				
9	90-1028	BOLT,5/8-11 X 3-1/2	1				
10	90-1032	BOLT,5/8-11 X 4	1				
11	99-30	BOLT, 1/2-13 X 4	2				
12	41-034	SPRING-COMP 0.968X2.00A	2				
13	64163-67	WASHER-.516X1X12GA	2				
14	64229-05	LOCKNUT, 1/2-13 NYLON	2				
15	64163-16	WASHER-41/64X1, 3/8X12	4				
16	99-A10	LOCKNUT, STOVER 5/8-11	2				
17	91-1632	BOLT,1-14 X 4	1				
18	64163-84	WASHER-1.015 X 1.75 X.125	2				
19	64151-9	HEX LOCKNUT	1				
20	64139-22	BLT-WLF 1/2-13X1	6				
21	29-014	GREASE FITTING, 1/4-28 90	1				

HYDRAULIC PARTS

ROTARY SWEEPER

FIGURE 4



ROTARY SWEEPER

HYDRAULIC PARTS

FIGURE 4

ITEM	PART NO.	DESCRIPTION	QTY	ITEM	PART NO.	DESCRIPTION	QTY
1	4165433	TANK, HYD. OIL	1				
2	21-098	CAP, BREATHER	1				
3	20-247	HOSE, 5/8 X 81 -10	2				
4	25-2503-10-10	FTG-90-10MORB/-10	2				
3	21-118	MOTOR, HYD. 12.0 CIR	1				
6	29-054	PIPE PLUG	1				
7	23-058	CYLINDER, 1-1/2 X 5 DUMP	1				
8	20-245	HOSE, 1/4 X 54 -4	1				
9	20-246	HOSE, 1/4 X 50 -4	1				
10	56-076-01	SLEEVING, ID 1.53 NYL 60"	1				
11	23-004	MALE QUICK COUPLER	2				
12	25-2503-12-10	FTG-90-12M ORB/-10M	2				
13	21-095	FILTER HEAD	1				
14	21-093	FILTER, HYDRAULIC	1				
15	25-2503-8-6	FTG-90-8M ORBX-6M	1				
16	20-243	HOSE, 1/2 X 12-3/4 -8	1				
17	20-244	HOSE-1/2X19 -8 FJIC X -10	1				
18	25-2503-8-8	FTG-90-8M ORBX-8M	2				
19	25-2503-6-6	FTG-90-6M ORBX-6M	1				
20	20-242	HOSE, 3/8 X 19-1/4 -6	1				
21	4165652	PUMP, HYDROSTATIC 16cc	1				
22	25-3503-8-10	FTG-45 -8M ORBX -10M	2				

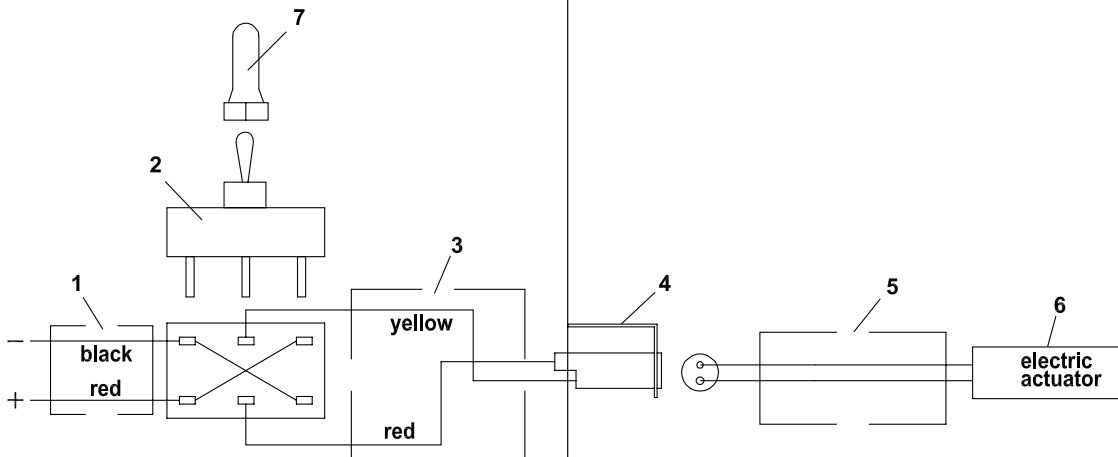
ELECTRICAL

ROTARY SWEEPER

FIGURE 5

ITEM	PART NO.	DESCRIPTION	QTY	ITEM	PART NO.	DESCRIPTION	QTY
5-1	30-403	SWITCH	1				
5-2	J0036	SWITCH, TOGGLE	1				
5-3	30-405	CONNECTOR	1				
5-4	30-111	CONNECTOR ASSY	1				
5-5	30-406	ACTUATOR	1				
5-6	37-030	ACTUATOR, ELEC.	1				
5-7	J9505	BOOT NUT	1				
*	30-004D	TERMINAL, 1/4 EYE (14 - 16 GA.)	1				
*	30-004E	TERMINAL, 5/16 EYE (14 - 16 GA.)	1				
*	30-004H	FUSE HOLDER, 15 AMP	1				
*	30-004J	TERMINAL, #10 EYE (14 - 16 GA.)	3				
*	30-004L	TERMINAL, 14GA	1				
*	6101050.17	BRKT-525 SWITCH	1				
*	64-909.7	MOUNT-ELEC OUTLET	1				

*NOT ILLUSTRATED



ROTARY SWEEPER

BELT CHARTELECTRICAL

FIGURE 6

STEINER BELT CHART												
MODEL	220	230	230 Diesel	235	410	415	420	430	440	425	525	UM428
Tractor PTO Belt	81-A034 W/O EI Clutch 81-B033 W/EI Clutch	81-B033	81-B033	4165347	81-B039	81-B039	81-A038 SN: 1001-2999 81-B039 SN: 3000-5000	81-B039	4166636 5LX44	81-B042 W/O EI Clutch 81-B040 W/EI Clutch	81-B042 81-B041	81-B029 81-B040
MR, MW, MD, MX, Rotary mowers	81-A040	81-A040	81-B041	81-B041	81-A040	81-A040	81-A040	81-A040	81-B041	81-B041	81-B041	81-B040
BM425 Boom Mower	N/A	N/A	N/A	N/A	N/A	N/A	81-A040	81-A040	81-B041	81-B041	81-B041	N/A
MC444 Tree Farm Mower	N/A	N/A	N/A	N/A	N/A	N/A	81-A040	81-A040	N/A	81-B041	81-B041	N/A
RC466 Rough Cut Mower	81-A042 W/O EI Clutch 81-A040 W/EI Clutch	81-A040	81-B041	81-B041	N/A	N/A	81-A040	81-A040	81-B041	81-B041	81-B041	81-B040
RM674 & 684 Reel Mowers	81-A045 W/O EI Clutch 81-A043 W/EI Clutch	81-A043	81-B043	81-B043	N/A	N/A	81-A043	81-A043	81-B044	81-B044 W/O EI Clutch 81-B042 W/EI Clutch	81-B043 81-B041	81-B042 81-B040
CS312 Chipper Shredder	N/A	N/A	N/A	N/A	N/A	N/A	81-B041	81-B041	81-B041	81-B041	81-B041	81-B040
GN10KW Generator	81-B050	81-B050	81-B050	81-B050	81-B050	81-B050	81-B050	81-B050	81-B050	81-B050	81-B050	81-B050
LD300 Loader	N/A	N/A	N/A	N/A	N/A	N/A	81-A026	81-A026	N/A	N/A	N/A	N/A
PB100 & PB200 Power Blower	81-A042 W/O EI Clutch 81-A040 W/EI Clutch	81-A040	81-B041	81-B041	81-A040	81-A040	81-A040	81-A040	81-B041	81-B041 W/O EI Clutch	81-B041	81-B040
PR348 Power Box Rake	81-A045 W/O EI Clutch 81-A043 W/EI Clutch	81-A043	81-B043	81-B043	N/A	N/A	81-A043		81-B044	81-B044 W/O EI Clutch 81-B042 W/EI Clutch	81-B043	81-B043
RS350 small Rotary Sweeper	81-A042 W/O EI Clutch 81-A040 W/EI Clutch	81-A040	81-B040	81-B040	81-A040	81-A040	81-A040	81-A040	81-B041	81-B041 W/O EI Clutch 81-B040 W/EI Clutch	81-B040	81-B040
RS454 large Rotary Sweeper	81-A048 W/O EI Clutch 81-A046 W/EI Clutch	81-A046	81-B046	81-B046	81-A046	81-A046	81-A046	81-A046	81-B045	81-B046	81-B046	81-B044
SB348 Snowblower SN:1001-1713	81-A055 W/O EI Clutch 81-A053 W/EI Clutch	81-A053	81-B054	81-B054	81-A053	81-A053	81-A053	81-A053	81-B054	81-B054 W/O EI Clutch 81-B053 W/EI Clutch	81-B054	81-B053
SB348 Snowblower SN:1714-7570665****	81-A053 W/O EI Clutch 81-A051 W/EI Clutch	81-A051	81-B051	81-B051	81-A051	81-A051	81-A051	81-A051	81-B052	81-B052 W/O EI Clutch 81-B051 W/EI Clutch	81-B051	81-B051
SB448 Snowblower		4165834	4165850	4165850	4165834	4165834	4165834	105803 4165834	105803 4165834			
SB454 Snowblower		4165834	4165850	4165850	4165834	4165834	4165834	105803 4165834	105803 4165834			
SC101 Stump Cutter	N/A	N/A	N/A	N/A	81-A043	81-A043	81-A043	81-A043	81-B044	81-B045 W/O EI Clutch 81-B043 W/EI Clutch	81-B0424	81-B042
TH300 Trencher	N/A	N/A	N/A	N/A	N/A	N/A	81-B050	81-B050	81-B050	81-B043 W/EI Clutch 81-B051	81-B051	81-B050
TL348 Tiller	81-A042 W/O EI Clutch 81-A040 W/EI Clutch	81-A040	81-B041	81-B041	81-A040	81-A040	81-A040	81-A040	81-B041	81-B041 W/O EI Clutch 81-B040 W/EI Clutch	81-B041	81-B040
VA242 Vertical Auger	N/A	N/A	N/A	N/A	N/A	N/A	81-A027	81-A027	N/A	N/A	N/A	N/A

SCHILLER GROUNDS CARE, INC.
ONE BOB-CAT LANE
P.O. BOX 469
JOHNSON CREEK, WI 53038
920-699-2000
www.schillergc.com

