



MODELS:

75-72010

440-4WD 24.8 HP KUBOTA DIESEL

(S/N 000400 and Above)

75-72011

440-4WD 32.5 HP KUBOTA GAS

(S/N 000302 and Above)

PARTS MANUAL

MAN 4169875
Rev. C 02-2015

OPERATOR'S MANUAL 4169924



www.steinerturf.com

**CALIFORNIA
Proposition 65 Warning**

Diesel engine exhaust and some of its constituents are known to the State of California to cause cancer, birth defects and other reproductive harm.

 **WARNING**

The engine exhaust from this product contains chemicals known to the State of California to cause cancer, birth defects or other reproductive harm.

**Californie Proposition 65
Avertissement**

Les échappements des moteurs diesel et certains de leurs composés sont reconnus par l'Etat de Californie pour être cancérigènes, provoquer des défauts congénitaux et d'autres dangers en matière de reproduction.

 **AVERTISSEMENT**

L'émission du moteur de ce matériel contient des produits chimiques que l'Etat de Californie considère être cancérigènes, provoquer des défauts congénitaux et d'autres dangers en matière de reproduction.

**California Advertencia
de la Proposicion 65**

El estado de California hace saber que los gases de escape de los motores diesel y algunos de sus componentes producen cáncer, defectos de nacimiento y otros daños en el proceso de reproducción humana.

 **ADVERTENCIA**

El estado de California hace saber que los gases de escape de este producto contienen productos químicos que producen cáncer, defectos de nacimiento y otros daños en el proceso de reproducción humana.

**CALIFORNIA
Proposition 65 Warning**

Battery posts, terminals, wiring insulation, and related accessories contain lead and lead compounds, chemicals known to the State of California to cause cancer and birth defects or other reproductive harm.
WASH HANDS AFTER HANDLING.

IMPORTANT MESSAGE

Thank you for purchasing this Schiller Grounds Care, Inc. product. You have purchased a world class product, one of the best designed and built anywhere.

This machine comes with an Owner / Operator's Manual and an Illustrated Parts Manual. The useful life and good service you receive from this machine depends to a large extent on how well you read and understand these manuals. Treat your machine properly, lubricate and adjust it as instructed, and it will give you many years of reliable service.

Your safe use of this Schiller Grounds Care, Inc. product is one of our prime design objectives. Many safety features are built in, but we also rely on your good sense and care to achieve accident-free operation. For best protection, study the manuals thoroughly. Learn the proper operation of all controls. Observe all safety precautions. Follow all instructions and warnings completely. Do not remove or defeat any safety features. Make sure those who operate this machine are as well informed and careful in its use as you are.

See a Schiller Grounds Care, Inc. dealer for any service or parts needed. Schiller Grounds Care, Inc. service ensures that you continue to receive the best results possible from Schiller Grounds Care, Inc. products. You can trust Schiller Grounds Care, Inc. replacement parts because they are manufactured with the same high precision and quality as the original parts.

Schiller Grounds Care, Inc. designs and builds its equipment to serve many years in a safe and productive manner. For longest life, use this machine only as directed in the manuals, keep it in good repair and follow safety warnings and instructions. You'll always be glad you did.

Schiller Grounds Care, Inc.
One Bob Cat Lane
Johnson Creek, WI 53038-0469

TABLE OF CONTENTS	FIGURES	PAGE
SAFETY.....		2
PARTS SECTION.....		3
KUBOTA DIESEL ENGINE ASSEMBLY.....	FIGURE 1.....	4, 5
KUBOTA GAS ENGINE ASSMBLY.....	FIGURE 2.....	6, 7
KUBOTA ENGINE COOLING SYSTEM.....	FIGURE 3.....	8, 9
FUEL SYSTEM.....	FIGURE 4.....	10, 11
PRIMARY HYDRAULIC SYSTEM.....	FIGURE 5.....	12, 13
IMPLEMENT HYDRAULIC SYSTEM.....	FIGURE 6.....	14, 15
PEERLESS TRANSAXLE.....	FIGURE 7.....	16, 17
FRONT FRAME.....	FIGURE 8.....	18, 19
HOOD & GRILLE.....	FIGURE 9.....	20, 21
REAR FRAME.....	FIGURE 10.....	22, 23
BATTERY AND FUEL TANKS.....	FIGURE 11.....	24, 25
FRONT AXLE & WHEELS.....	FIGURE 12.....	26, 27
REAR AXLE & WHEELS.....	FIGURE 13.....	28, 29
FORWARD REVERSE PEDALS.....	FIGURE 14.....	30, 31
BRAKE ASSEMBLY.....	FIGURE 15.....	32, 33
PTO DRIVE.....	FIGURE 16.....	34, 35
FRONT HITCH.....	FIGURE 17.....	36, 37
ELECTRICAL- KUBOTA DIESEL.....	FIGURE 18.....	38, 39
ELECTRICAL - KUBOTA GAS.....	FIGURE 19.....	40, 41
SEAT ASSEMBLY.....	FIGURE 20.....	42, 43
DECALS.....	FIGURE 21.....	44, 45
ROPS BAR WITH SEAT BELT.....	FIGURE 22.....	46, 47
DUAL WHEEL KITS.....	FIGURE 23.....	48, 49
WEIGHT KIT.....	FIGURE 24.....	50
3 IN WHEEL EXTENSION KIT.....	FIGURE 25.....	51
ATTACHMENT BELT CHART.....	FIGURE 26.....	52

NOTICE !!!

Unauthorized modifications may present **extreme** safety hazards to operators and bystanders and could also result in product damage.

Schiller Grounds Care, Inc. strongly warns against, rejects and disclaims any modifications, add-on accessories or product alterations that are not designed, developed, tested and approved by Schiller Grounds Care, Inc.'s Engineering Department. Any Schiller Grounds Care, Inc. product that is altered, modified or changed in any manner not specifically authorized after original manufacture—including the addition of “after-market” accessories or component parts not specifically approved by Schiller Grounds Care, Inc.—will result in the Schiller Grounds Care, Inc. Warranty being voided.

Any and all liability for personal injury and/or property damage caused by any unauthorized modifications, add-on accessories or products not approved by Schiller Grounds Care, Inc. will be considered the responsibility of the individual(s) or company designing and/or making such changes. Schiller Grounds Care, Inc. will vigorously pursue full indemnification and costs from any party responsible for such unauthorized post-manufacture modifications and/or accessories should personal injury and/or property damage result.



This symbol means:
ATTENTION!
BECOME ALERT!

Your safety and the safety of others is involved.

Signal word definitions:

The signal words below are used to identify levels of hazard seriousness. These words appear in this manual and on the safety labels attached to Schiller Grounds Care, Inc. machines. For your safety and the safety of others, read and follow the information given with these signal words and/or the symbol shown above.

⚠ DANGER

DANGER indicates an imminently hazardous situation which, if not avoided, **WILL** result in death or serious injury.

⚠ WARNING

WARNING indicates a potentially hazardous situation which, if not avoided, **COULD** result in death or serious injury.

⚠ CAUTION

CAUTION indicates a potentially hazardous situation which, if not avoided, **MAY** result in minor or moderate injury. It may also be used to alert against unsafe practices or property damage.

CAUTION

CAUTION used without the safety alert symbol indicates a potentially hazardous situation which, if not avoided, **MAY** result in property damage.

Schiller Grounds Care, Inc.

One Bobcat Lane
Johnson Creek, WI 53038 U.S.A
Phone: 920-699-2000
Fax: 920-699-3683

MODEL NUMBER

SERIAL NUMBER

MODEL NUMBER: This number appears on sales literature, technical manuals and price lists.

SERIAL NUMBER: This number appears only on your mower. It contains the model number followed consecutively by the serial number. Use this number when ordering parts or seeking warranty information.

FIGURE 1

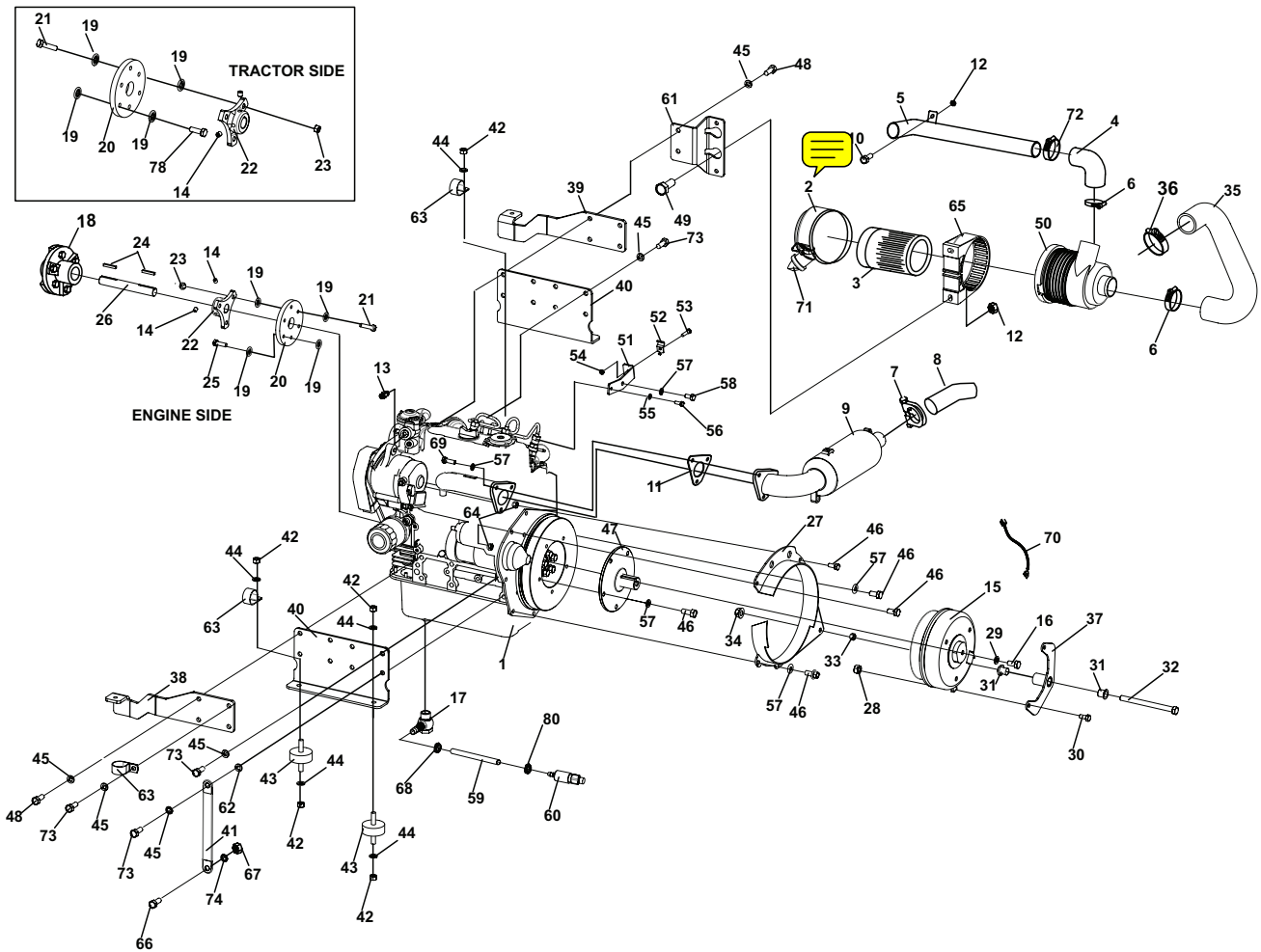


FIGURE 1

ITEM	PART NO.	DESCRIPTION	QTY	ITEM	PART NO.	DESCRIPTION	QTY
1	4166483	ENG-KUBOTA DIESEL DH920	1	44	64006-03	WASHR-HELICAL LCK 3/8	8
*>	16851-65512	GLOW PLUG	1	45	64006-18	WSHR-LOCK M10	12
*>	16001-53002	INJECTOR	1	46	64205-001	BLT-M8-1.25 X 25	9
*>	16241-46012	ALTERNATOR	1	47	4167657	SHAFT-PTO	1
*>	16824-63010	STARTER	1	48	64206-08	BLT-M10-1.25 X 30	7
*>	70000-00770	KIT-BLOCK HEATER	1	49	99-K02	BLT-FLG 5/16-18 X 1	2
*	4166483-21	OIL FILTER	1	50	4166483-25	AIR CLEANER ASSY	1
*>	1G662-52030	FUEL PUMP	1	51	4166745.7	BRKT-THROTTLE CABLE	1
*>	16264-74110	FAN	1	52	111898	CLAMP-CABLE	1
*>	15881-97010	FAN BELT	1	53	64152-49	SCREW-#10-24 X 3/4	1
2	4166483-22	COVER-AIR CLEANER 4"	1	54	64025-15	NUT-KEPS #10-24	1
3	4166483-24	ELEMENT, AIR CLEANER 4"	1	55	64006-01	WSHR-LCK HELICAL 1/4	1
4	4166776	HOSE-AIR INTAKE	1	56	64205-021	BLT-M6-1 X 16	1
5	13-042.7	TUBE-AIR INTAKE	1	57	64006-02	WSHR-LCK HELICAL 1/4	11
6	108094-10	CLAMP-HOSE SAE28	2	58	64025-018	BLT-M8-1.25 X 15	1
7>	66711-54421	CLAMP-MUFFLER EXT	1	59	138058-05	HOSE-1/2 CUT 16"	1
8>	66711-54411	PIPE-MUFFLER EXT	1	60	4167213	VALVE-OIL DRIAN	1
9>	12583-12110	MUFFLER-KUBOTA	1	61	4166369.7	BRKT-MNTNG, AIR CLEANER	1
10	64139-08	BOLT-5/16-18X3/4	1	62	99-G04	WASHER-STAR	2
11>	15852-12230	GASKET-MUFFLER	1	63	48228-2A	CLAMP- 3/4 CLIP	3
12	64141-6	NUT-WLF 5/16-18	3	64	64237-05	LOCKNUT-NYLON M8-1.25	2
13	4166805	SENDER-TEMPERATURE	1	65	4166483-30	BRACKET-AIR CLNR ASSY	1
14	64044-2	SET SCREW-5/16-18 X 3/8	4	66	64123-47	BLT-HEX 5/16-18 X 1 1/4	1
15	4167497	CLUTCH-ELECTRIC 225	1	67	64229-02	NUT-NYLON LOCK 5/16-18	1
16	64123-78	BLT-7/16-20 X 2 1/2	1	68	108094-06	SMALL HOSE CLAMP	1
17	4167248	FITTING-BANJO M22	1	69	64205-003	BLT-METRIC M8-1.25X30	3
18	87-046	COUPLER ASSEMBLY	1	70	2720949	PIGTIAL-CLUTCH	1
	(INCLUDES ITEMS 19-23, & 25 ENGINE SIDE)			71	4166483-23	VALVE-RUBBER AIRCLNR	1
	4167869	COUPLER ASSEMBLY	1	72	108094-11	CLAMP-HOSE SAE24	1
	(INCLUDES ITEMS 19-23, & 78 TRACTOR SIDE)			73	64206-04	BLT-M10-1.25 X 25	5
19	99-B27	WASHER-BEADED, 5/16"	24	74	64002-04	LOCKWASHER EXT. 5/16	1
20	87-142	DISC-WEASLER	2	75*	2308095	COVER, TERMINAL	2
21	91-0510	BOLT, 5/16-24x1-1/4	6	76*	64207-06	NUT	1
22	87-112	COUPLER FLANGE	2	77*	4167659	THROTTLE, STOP	1
23	64229-08	LOCKNUT-NYLON 5/16-24	6	78	64123-68	BLT-5/16-18X1	3
24	64164-11	KEY-3/16X3/16X1-1/4 SQ	2	79*	64006-01	WSHR-LCK	1
25	64205-081	BLT-MET M8-1.25x25	3	80	88042-03	CLAMP-HOSE 5/8	1
26	4166320	SHAFT, PUMP DRIVE	1	81*	4167659	THROTTLE STOP BARREL	1
27	4166782.7	GUARD-FLYWHEEL	1				
28	64268-02	NUT-FL NY LOCK 5/16-18	2				
29	64006-06	WSHR-HELICAL LOCK 7/16	1				
30	64123-54	BLT-HEX 5/16-18 X 3/4	2				
31	38304-03	BEARING-FLANGED	2				
32	64123-295	BLT-HEX 7/16-13 X 5 1/2	1				
33	64025-42	NUT-HEX 7/16-13	1				
34	64229-04	NUT-NYLON LOCK 7/16-14	1				
35	4166401	HOSE, AIR INTAKE	1				
36	108094-01	CLAMP, HOSE #20	1				
37	4165570.7	CLUTCH STOP	1				
38	4166534.7	BRKT-RADITR MNTG RH	1				
39	4166535.7	BRKT-RADITR MNTG LH	1				
40	4165988.7	PLATE-ENG. MOUNT	2				
41	30-291	STRAP-GROUND	1				
42	64025-05	NUT-HEX 3/8-16	8				
43	05-006	ISOLATOR-MOTOR	4				

*** NOT ILLUSTRATED
>AVAILABLE THROUGH KUBOTA**



KUBOTA GAS ENGINE ASSEMBLY

440

FIGURE 2

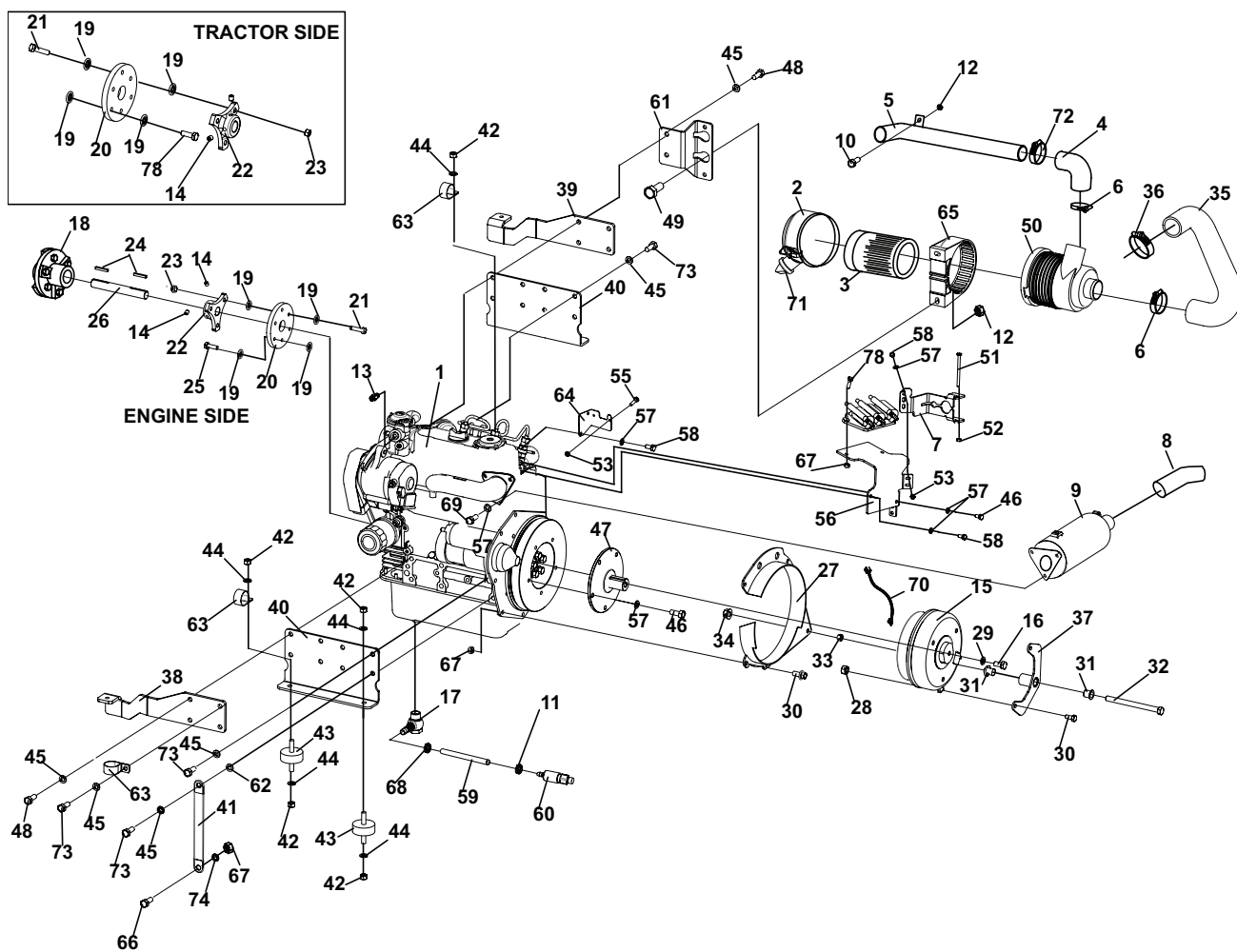


FIGURE 2

ITEM	PART NO.	DESCRIPTION	QTY	ITEM	PART NO.	DESCRIPTION	QTY
1	4166484	GAS ENGINE-KUBOTA (S/N 000301 AND BELOW)	1	35	4166709	HOSE, AIR INTAKE	1
	4168199	GAS ENGINE KUBOTA (S/N 000302 AND ABOVE)		36	108094-01	CLAMP, HOSE #20	1
*>	E9151-67710	SPARK PLUG	1	37	4165570.7	CLUTCH STOP	1
*>	16241-64012	ALTERNATOR	1	38	4166534.7	BRKT-RADITR MNTG RH	1
*>	EG531-44012	CARBURETOR	1	39	4166535.7	BRKT-RADITR MNTG LH	1
*>	67980-31150	STARTER	1	40	4165988.7	PLATE-ENG. MOUNT	2
*	4166483-21	OIL FILTER	1	41	30-291	STRAP-GROUND	1
*>	EG601-52030	FUEL PUMP	1	42	64025-05	NUT-HEX 3/8-16	8
*>	16264-74110	FAN	1	43	05-006	ISOLATOR-MOTOR	4
*>	15881-97010	FAN BELT	1	44	64006-03	WSHR-HELICAL LCK 3/8	8
*>	EG651-46923	REGULATOR	1	45	64006-18	WSHR-LOCK M10	12
				46	64205-001	BLT-M8-1.25 X 25	16
				47	4167657	SHAFT-PTO	1
				48	64206-08	BLT-M10-1.25 X 30	7
				49	99-K02	BLT-FLG 5/16-18 X 1	2
				50	4166483-25	AIR CLEANER ASSY	1
2	4166483-22	COVER-AIR CLEANER 4"	1	51	64123-296	BLT-1/4-20 X 3 1/4	1
3	4166483-24	ELEMENT, AIR CLEANER 4"	1	52	64151-17	NUT-HEX 1/4-20 CTR LOCK	1
4	4166776	HOSE-AIR INTAKE	1	53	64229-01	NUT-1/4-20	4
5	13-042.7	TUBE-AIR INTAKE	1	54	64163-03	WSHR-.256IDX.62ODX18GA	2
6	108094-10	CLAMP-HOSE SAE28	2	55	64123-89	BOLT-1/4-20 X 3/4	4
7	4167212.7	BRCKT-STABILIZER	1	56	4171061.7	BRCKT-COIL	1
8>	66711-54411	PIPE-MUFFLER EXT	1	57	64006-02	WSHR-LCK HELICAL 1/4	14
9>	12583-12110	MUFFLER-KUBOTA (S/N 000301 AND LOWER)	1	58	64025-018	BLT-M8-1.25 X 15	5
	4166484-05	MUFFLER-KUBOTA (S/N 000302 AND ABOVE)		59	27-017	HOSE-3/8 CUT 16"	1
				60	4164251	VALVE-OIL DRIAN	1
10	64139-08	BOLT-5/16-18X3/4	1	61	4166369.7	BRKT-MNTNG, AIR CLEANER	1
11	88042-03	CLAMP-HOSE 5/8	1	62	99-G04	WASHER-STAR	2
12	64141-6	NUT-WLF 5/16-18	3	63	48228-2A	CLAMP- 3/4 CLIP	3
13	4166805	SENDER-TEMPERATURE	1	64	4167317.7	BRKT-IGNITION MODULE	2
14	64044-2	SET SCREW-5/16-18 X 3/8	4	65	4166483-30	BRACKET-AIR CLNR ASSY	1
15	4167497	CLUTCH-ELECTRIC 225	1	66	64123-47	BLT-HEX 5/16-18 X 1 1/4	1
16	64123-216	BLT-7/16-20 X 2 1/4 GR5	1	67	64229-02	NUT-NYLON LOCK 5/16-18	7
17	4167285	FITTING-DRAIN	1	68	11-017	CLAMP-SMALL HOSE	1
18	87-046	COUPLER ASSEMBLY (INCLUDES ITEMS 19-23, & 25 ENGINE SIDE)	1	69	64205-003	BLT-METRIC M8-1.25X30	3
	4167869	COUPLER ASSEMBLY (INCLUDES ITEMS 19-23, & 78 TRACTOR SIDE)	1	70	2720949	PIGTIAL-CLUTCH	1
19	99-B27	WASHER-BEADED, 5/16"	24	71	4166483-23	VALVE-RUBBER AIRCLNR	1
20	87-142	DISC-WEASLER	2	72	108094-11	CLAMP-HOSE SAE24	1
21	91-0510	BOLT, 5/16-24x1-1/4	6	73	64206-04	BLT-M10-1.25 X 25	5
22	87-112	COUPLER FLANGE	2	74	64002-04	LOCKWASHER EXT. 5/16	1
23	64229-08	LOCKNUT-NYLON 5/16-24	6	75*	2308095	COVER, TERMINAL	2
24	64164-11	KEY-3/16X3/16X1-1/4 SQ	2	76*	64207-06	NUT	1
25	64205-081	BLT-MET M8-1.25x25	6	77*	4167659	THROTTLE, STOP	1
26	4166320	SHAFT, PUMP DRIVE	1	78	64123-68	BLT-5/16-18X1	5
27	4166782.7	GUARD-FLYWHEEL	1	79*	64006-01	WSHR-LCK	1
28	64268-02	NUT-FL NY LOCK 5/16-18	2				
29	64006-06	WSHR-HELICAL LOCK 7/16	1				
30	64123-54	BLT-HEX 5/16-18 X 3/4	6				
31	38304-03	BEARING-FLANGED	2				
32	64123-295	BLT-HEX 1/2-13 X 5 1/2	1				
33	64025-42	NUT-HEX 1/2-13	1				
34	64229-04	NUT-NYLON LOCK 7/16-14	1				

*** NOT ILLUSTRATED
>AVAILABLE THROUGH KUBOTA**

KUBOTA ENGINE COOLING SYSTEM

440

FIGURE 3

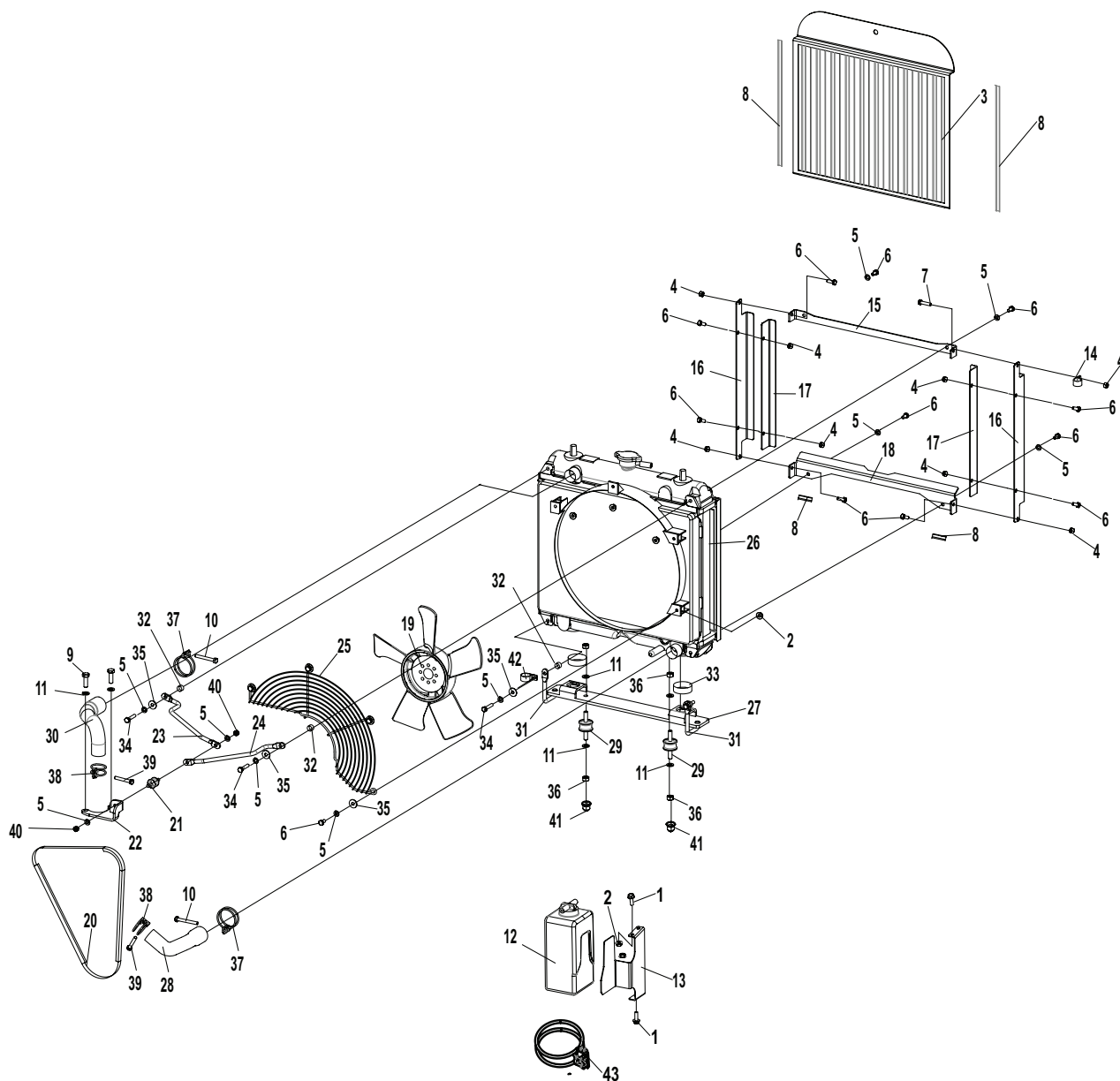


FIGURE 3

ITEM	PART NO.	DESCRIPTION	QTY	ITEM	PART NO.	DESCRIPTION	QTY
1	64139-02	BLT-WLF 1/4-20 X 3/4	3				
2	64141-2	NUT-WLF 5/16-18	7				
3	60-646	RADIATOR SCREEN ASM	1				
4	64237-02	LOCKNUT-NYLON M6-1.00	8				
5	64006-01	LOCKWSHR-1/4 HELICAL	14				
6	64205-013	BLT-METRIC M6-1X12	12				
7	64205-021	BLT-METRIC M6-1X16	3				
8	56-046-02	TRIM-LOC 12"	3				
9	64205-081	BLT-METRIC M8-1.25x25	2				
10	64006-02	LOCKWSHR-5/16 HELICAL	6				
11	64205-023	BLT-METRIC M6-1.00X50	2				
12	13-036	BOTTLE-COOLANT W/CAP	1				
13	4166972.7	MOUNT-RESEVOIR	1				
14	48228A	CLIP-CABLE, INSULATED	1				
15	4166705.7	BRKT-RADTR MNT, TOP	1				
16	4166707.7	GUIDE-RADTR, OUTR	2				
17	4166708.7	GUIDE-RADTR, INNR	2				
18	4166706	BRKT-RADTOR MNT, BTM	1				
19>	16264-74110	FAN	1				
	(S/N 000301 AND BELOW)						
	16264-74112	FAN					
	(S/N 000302 AND ABOVE)						
20>	15881-97010	BELT-FAN	1				
21>	1G930-72190	S-CUSHION 1	1				
22>	1G952-72170	S-RADIATOR STAY 2	1				
23>	1G960-72140	S-SUPPORT EX, RADIATOR	1				
24>	1G960-72130	S- SUPPORT IN, RADIATOR	1				
25>	1G639-74120	S-COVER, FAN	1				
26>	1G952-72060	S-RADIATOR	1				
	(S/N 000301 AND BELOW)						
	1G952-72001	S-RADIATOR					
	(S/N 000302 AND ABOVE)						
27>	1G952-72150	S-STAY	1				
28>	1G952-72850	S-HOSE, WATER	1				
29>	1G932-72190	S-CUSHION 2	2				
30>	1G952-72940	S-HOSE, WATER	1				
31>	1G952-30820	S-STOPPER, RADIATOR	2				
32>	12556-67860	S-COLLAR	4				
33>	1G952-72180	S-CUSHION	2				
34	64205-048	BLT-METRIC M6-1X30	4				
35	64251-002	WSHR-M6	8				
36	64207-01	NUT-HEX M8-1.25	4				
37>	09318-89039	S-CLAMP	2				
38>	09318-89030	S-CLAMP	2				
39	64205-030	BLT-METRIC M6-1.00X40	2				
40	64207-06	NUT-HEX M6-1	2				
41	4169770	CAP-5/16 VINYL	2				
42	48412-01	CLIP-CABLE, 3/4	1				
43	11-049	CLAMP-HOSE, 4 1/4	1				

* NOT ILLUSTRATED
>AVAILABLE THROUGH KUBOTA

FIGURE 4

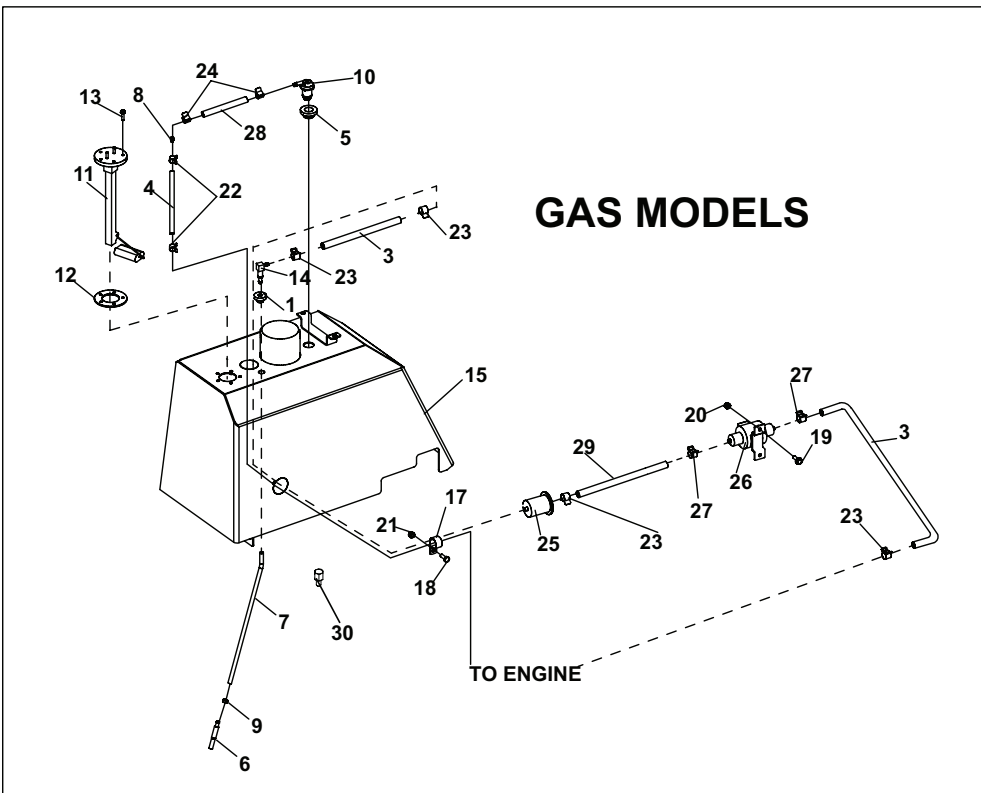
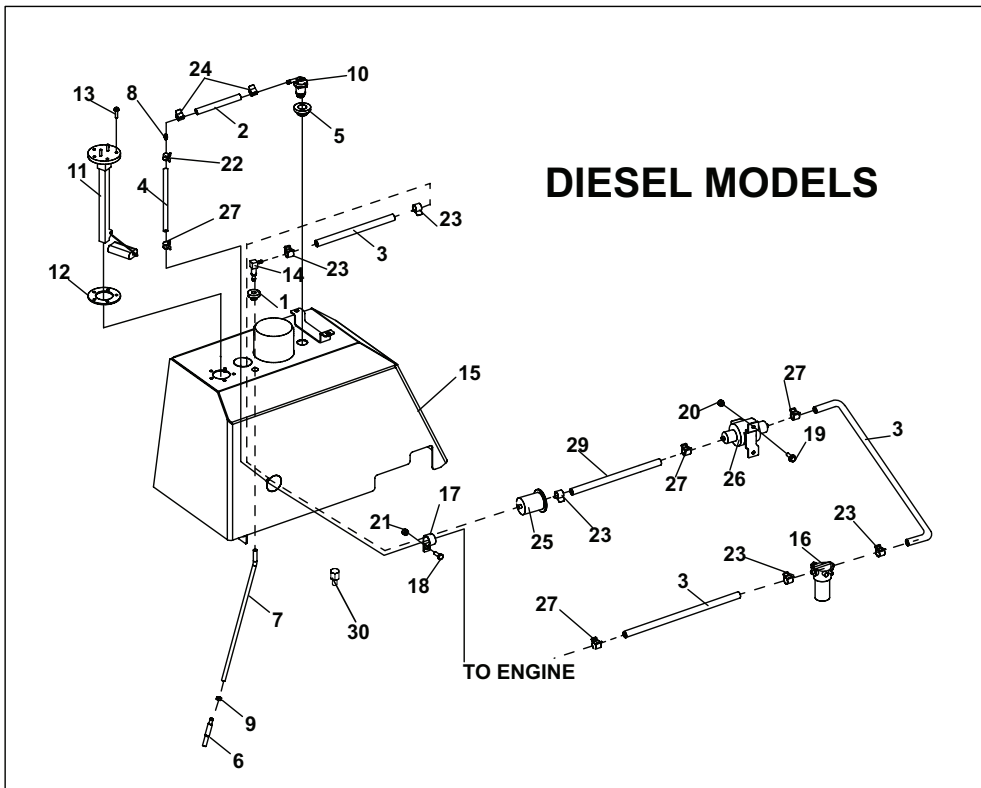


FIGURE 4

ITEM	PART NO.	DESCRIPTION	QTY	ITEM	PART NO.	DESCRIPTION	QTY
1	4132325	GROMMET-FUEL TANK	1				
2	4162977-007	FUEL HOSE, 1/4-4"	1				
3	4162978-001	FUEL HOSE, 5/16 (3", 50", 52")	4				
4	4162989-002	FUEL HOSE, 3/16 (8' 8")	1				
5	4165387	GROMMET, ROLL-OVER	1				
6	4165668	FILTER-FUEL	1				
7	4165692-02	TUBE- FUEL PICK UP 17"	1				
8	4165864	FITTING, 1/4 TO 3/16	1				
9	2183071-03	SPACER	1				
10	4166862	TANK VENT RETURN	1				
	4165763	(DIESEL MODEL ONLY) TANK VENT RETURN (GAS MODEL ONLY)					
11	4166906	SENDER-FUEL LEVEL	1				
12	35-086	GASKET-SENDER,FUEL	1				
13	01-040	SCRWS #10-32 X 3/4	5				
14	4167010	ELBOW CONNECTOR 1/4"	1				
15	4167627	FUEL TANK 440	1				
16>	1G313-43561	WATER SEPERATOR	1				
	* 4166483-28	(DIESEL MODEL ONLY) ELEMENT-WATER SEPERATOR	1				
17	4165751	CLIP-CABLE INSULATED	1				
18	64123-07	BLT-HEX 1/4-20X1-1/2	1				
19	64139-04	BLT-WLF 1/4-20 X 3/4	2				
20	64141-2	NUT-WLF 5/16-18	2				
21	64229-01	NUT-NYLON LOCK 1/4-20	1				
22	88042-01	CLAMP, HOSE 1/4	2				
23	88042-02	CLAMP, HOSE 5/16	5				
24	88042N	CLAMP, HOSE	2				
25	13-12581-43012	FUEL FILTER	1				
26>	1G662-52030	FUEL PUMP	1				
	EG601-52030	(DIESEL MODEL ONLY) FUEL PUMP (GAS MODEL ONLY)					
27	11-017	CLAMP	3				
28	4162978-003	FUEL HOSE, 5/16 (42")	1				
29	4162978-005	FUEL HOSE, 5/16 (10")	1				
30	69051-03	PIPE PLUG-1/4	1				

*** NOT ILLUSTRATED
>AVAILABLE FROM KUBOTA**

PRIMARY HYDRAULIC SYSTEM

440

FIGURE 5

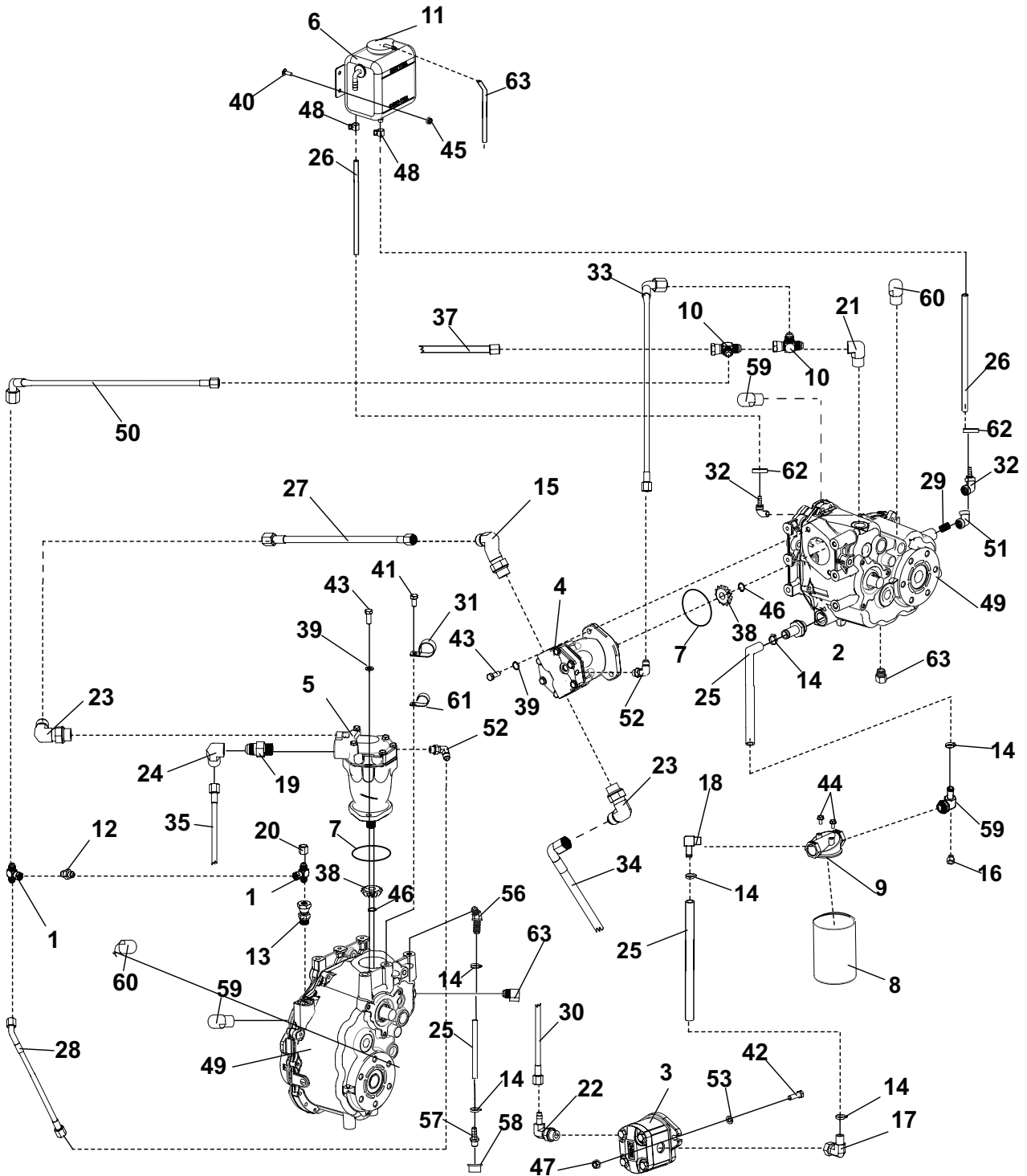


FIGURE 5

ITEM	PART NO.	DESCRIPTION	QTY	ITEM	PART NO.	DESCRIPTION	QTY
1	69043-02	FITTING-SWIVEL TEE 37°	2	32	4168145-01	FITTING-3/8 BARB 1/4 NPTF	2
2	2690016-01	FTG-ORB/HOSE BARB	1	33	4167476-01	HOSE- #6, 6/ 90 8 X 10"	1
3	4166014	PUMP-CHARGE & IMPL	1	34	4170463-01	HOSE-#12/90 X 17.00 HP	1
*	4166014-01	SEAL KIT	1	35	4169240-01	HOSE-#12 JIC/JIC X 86.25	1
*	4166014-02	KEY-SHAFT	1	36	4167725	FITTING-90,3/4X1_5/16-12X8	1
4	4166812	MOTOR-HYDRO 1.24CI OP	1	37	2692305-11	HOSE-#8/90 X 28.5	1
*	4166812-01	SEAL KIT		38	51-023	PINION GEAR 778155	2
5	4166813	MOTOR-HYDRO 1.24CI SS	1	39	64006-03	LOCKWSHR-3/8 HELICAL	4
*	4166812-01	SEAL KIT		40	64018-2	BLT-CRG 1/4-20X3/4	3
6	4167640	S-TANK,EXPANSION (INCLUDES ITEM 60)	1	41	64123-50	BLT-HEX 3/8-16X1	1
7	4166892	O-RING-3.25 X 3.375 X .062	2	42	64123-70	BLT-HEX 3/8-16X1-1/2	2
8	4166897	FILTER-HYDRAULIC 25 M	1	43	64123-50	BLT-HEX 3/8-16X1	4
9	4166903	FILTER HEAD-12 O-RING	1	44	64139-02	BLT-WLF 1/4-20 X 1/2	2
10	4166910-01	FITTING-SWIVEL RUN TEE/37	2	45	64141-2	NUT-WLF 5/16-18	3
11	4167812	S-CAP EXPANSION TANK	1	46	64144-35	S SNAP RING.688	2
12	4167049-01	VALVE-CHECK, MALE	1	47	64268-03	NUT-FL NYLON LOCK 3/8-16	2
13	4167069-01	FITTING-SWIVEL, ORB	1	48	88042N	CLAMP, HOSE	2
14	108094-02	CLAMP-HOSE SAE12	6	49	4168197	TRANSAXLE	2
15	108205-04	ELBOW-45 DEG. MALE	1			(INCLUDES 61 & 62)	
16	25-05CP-6	CAP	1	50	4166830-01	HOSE-#6-8 JIC/90 6 JIC X 55.25	1
17	158058-05	FITTING-90 BARB ADJ	1	51	29-068	PIPE ELBOW 1/4 NPT	1
18	158058-20	FITTING-90 16 ORBX 2 BARB	1	52	25-2503-6-6	FITTING 90 -6 M ORB X -6	2
19	25-0503-12-12	FITTING STR -12 MORB-12	1	53	64163-31	WSHR 25/64X1X12	1
20	25-06CP-6	FITTING CAP -6 FEM.	1	54	56-076-02	SLEEVING	3
21	25-2103-12-8	FITTING 90 -12 MPT X -8	1			21" FROM ITEM 9 TO ITEM 3	
22	25-2503-10-6	FITTING 90 -10 M ORB x-6	1			54" AROUND HOSE ITEM 35	
23	25-2503-12-12	FITTING 90 -12 M ORB/-12	2			54" AROUND HOSE ITEM 27	
24	25-3903-12-12	FITTING 90 -12 M/ -12	1	55*	4167299	DECAL-FLUID FILL, STEINER	1
25	4166827-01	HOSE- 3/4" X 25.00"	3	56	108086-02	FTG-BARB 90-3/4 X 3/4	1
26	4166829-01	HOSE- 3/8	2	57	4167801-01	FITTING-3/4 BARB / 3/4 MJIC	1
27	4166843-01	HOSE-#12 X 74.00	1	58	4167726	CAP-12 JIC	1
28	4166841-02	HOSE-#6/45 X 17.00	1	59	69051-07	PIPE PLUG 3/4"	2
29	48024-24A	NIPPLE-PIPE 1/4NPT	2	60	69051-06	PIPE PLUG 3/8" W/MAGNET	2
30	4166839-01	HOSE-#6 X 14.75	1	61	48412-03	CLIP-CABLE 1 1/8 J	1
31	48228-2A	CLAMP-3/4 CLIP	1	62	11-017	SMALL HOSE CLAMP	2
				63	4171686-01	HOSE-1/4" ID, 3FT	1

* NOT ILLUSTRATED
>AVAILABLE THROUGH KUBOTA

IMPLEMENT HYDRAULIC SYSTEM

440

FIGURE 6

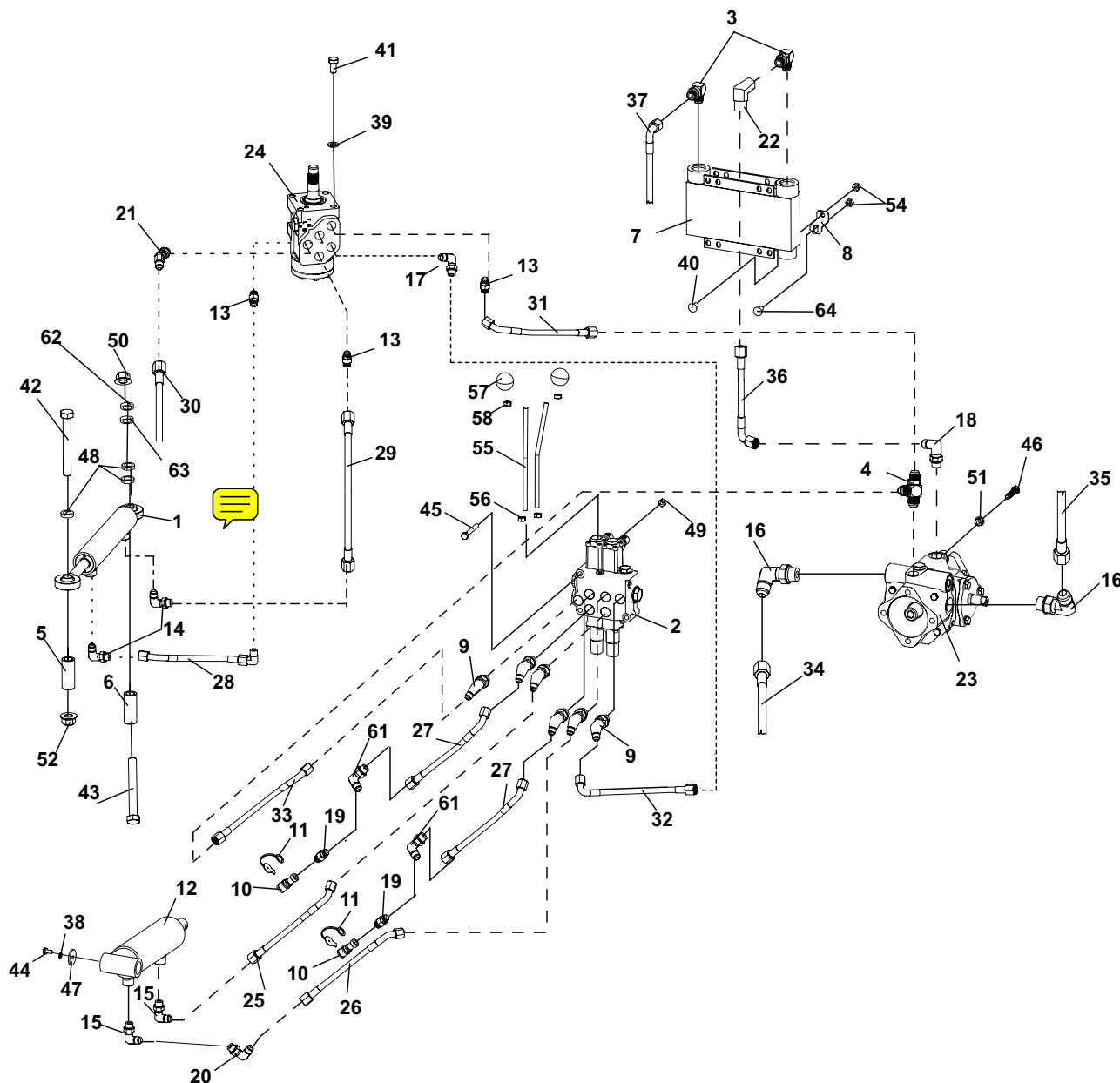


FIGURE 6

ITEM	PART NO.	DESCRIPTION	QTY	ITEM	PART NO.	DESCRIPTION	QTY
1	4168192	CYL-HYD 1.5 X 7, STEERING	1	34	4170463-01	HOSE-#12 /90 X 17.00 HP	1
2	4166623	VALVE-CONTROL,	1	35	4169240-01	HOSE-#12 JIC/JIC X 86.25	1
3	4166933-02	FITTING-90 ORB/37 DEG	2	36	2692305-10	HOSE-#6-J16/90 X 17	1
4	4166934-01	FITTING-ORS/O-RING TEE	1	37	2692305-11	HOSE-#6-J16/90 X 28.5	1
5	4166950	SPACER-.64 X 1.0 X 2.47	1	38	64006-01	LOCKWSHR-1/4 HELICAL	1
				39	64006-03	LOCKWSHR-3/8 HELICAL	4
6	4166951	SPACER-.64 X 1.0 X 2.98	1	40	64139-08	BLT-WLF 5/16-18X3/4	2
7	4167015	OIL COOLER-6 X 9 X 1.77	1	41	64123-15	BLT-HEX 3/8-16X3/4	4
8	4167316.7	BRKT-OIL COOLER ING	1	42	64123-152	BLT-HEX 5/8-11X5	1
9	108205-05	ELBOW MALE 45 6X8	6	43	64123-212	BOLT - 5/8-11 X 6.00	1
10	23-003	COUPLER FEMALE	2	44	64123-49	BLT-HEX 1/4-20X1/2	1
11	4168413	DUST PLUG	2	45	64123-64	BLT-HEX 5/16-18X2-1/4	2
12	23-083	CYLINDER 2-1/4 X 5IN HYD.	1	46	64123-70	BLT-HEX 3/8-16X1-1/2	2
13	25-0503-6-6	FITTING STR -6 M ORBC	3	47	64163-104	WSHR-.281X1.250X.12	1
14	25-2103-4-6	90-M/M 9/16 x 3/8 NPTF	2	48	64163-12	WASHER-.531 x 2.00 x .125	3
15	25-2103-6-6	90-M/M 9/16 x 3/8 NPTF	2	49	64229-02	NUT-NYLON LOCK 5/16-18	2
16	25-2503-12-12	FITTING 90 -12 M	2	50	64229-06	NUT-NYLON LOCK 5/8-11	1
17	25-2503-6-6	FITTING 90 -6 M ORB	1	51	64268-03	NUT-FL NYLON LOCK 3/8-16	2
18	25-2503-8-8	FITTING 90 -8 M ORB X	1	52	64151-6	NUT-HEX 5/8-11 CTR LOCK	1
19	25-2706-4-6	FITTING STR -4 MP BH	2	53*	56-076-03	SLEEVING	4
20	25-3903-6-6	FITTING 90 -6 MJIC X -6	1		83" AROUND HOSE ITEM 35		
21	25-3503-6-6	FITTING 45 -6 M ORB X	1		56-076-02	SLEEVING	
22	25-3903-8-8	FITTING 45 -6 M ORB X	1		40" AROUND HOSE ITEM 33		
23	4166015	PUMP-HYDRO, 1.24 EATON	1		25" AROUND HOSES ITEMS 25 & 26		
*	4166015-01	SEAL KIT			42" AROUND HOSE ITEMS 27		
*	4166015-02	KEY-INPUT SHAFT					
24	4166019	PUMP-STEERING, EATON	1	54	64268-02	NUT-FL NYLON LOCK 5/16-18	2
*	4166019-01	SEAL KIT		55	4167195	ROD- 5/16-18 X 1/2 THRD	2
*	4166019-02	SPRING- CENTERING		56	64207-01	NUT-HEX M8-1.25	2
25	4166826-01	HOSE-#4-6 /45	1	57	4167294	KNOB-BALL	2
26	4166826-02	HOSE-#4-6 /45	1	58	64025-02	NUT-HEX 5/16-18	2
27	4166826-03	HOSE-#4-6 /45	2	59*	4167477-01	SLEEVING	1
28	4166828-01	HOSE-#4-6 /90	1		42" AROUND 6 PORT HOLES FROM ITEM 2		
29	4166828-02	HOSE-#4-6 /90	1	60*	4167794-01	SLEEVING	2
30	4166839-01	HOSE-#6 /	1		38" AROUND HOSE ITEM 29		
31	4166840-01	HOSE-#6 /90	1		33" AROUND HOSE ITEM 28		
32	4166840-02	HOSE-#6 /90	1	61	4167863-01	FITTING 6FJIC/45 6MJIC	2
33	4166841-01	HOSE-#6/45	1	62	62464-1A	WASHER THRUST 5/8X1.12	A/R
				63	64280-01	WSHR-SHIM, .635X1.00X.010	A/R
				64	64123-68	BLT-5/16-18 X 1	1

changer pour
#4174249



*NOT ILLUSTRATED

FIGURE 7

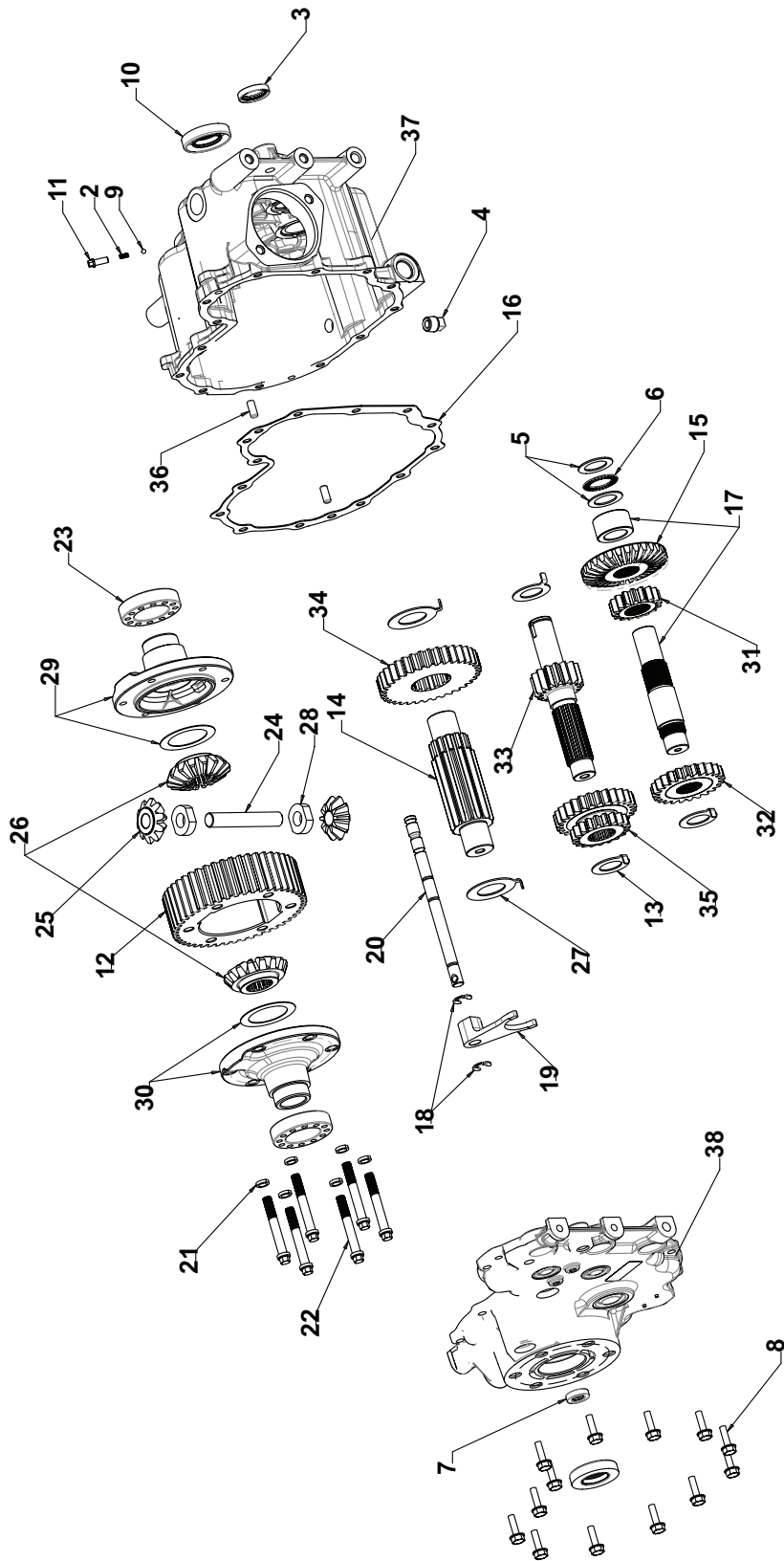


FIGURE 7

ITEM	PART NO.	DESCRIPTION	QTY	ITEM	PART NO.	DESCRIPTION	QTY
1	4168197	TRANSAXLE, PEERLESS	1				
2	51-792003	DETENT-SPRING	1				
3	89-008	SEAL-OIL 1.0 ID	1				
4	69051-06	PLUG-MAGNETIC DRAIN	1				
5	51-780045	WASHER 1.002ID .061W	2				
6	51-780012	BEARING-THRUST	1				
7	89-007	SEAL-OIL .5000 ID	1				
8	51-792067	BOLT-HEX HD 5/16-18 THD	13				
9	51-792004	BALL 3/16 DIA	1				
10	89-006	SEAL OIL 1.125 ID	2				
11	51-792100	BOLT-HEX HD 1/4-20 X .625	1				
12	51-778156	GEAR-RING 47T 2600	1				
13	51-780157	WASHER 1.002ID .058W	3				
14	51-776120B	SHAFT-OUTPUT 2500 13T	1				
15	51-778087	GEAR-BEVEL 30T STL SER	1				
16	51-788058B	GASKET	1				
17	51-776209A	SPACER-COUNTERSHAFT	1				
18	51-792064	RING-RETAINING .50X .050	2				
19	51-784195	FORK-SHIFT 2500	1				
20	51-784326A	ROD -SHIFT HIGH-LOW	1				
21	51-792011	LOCKWASHER .375ID	6				
22	51-792101	BOLT-HEX HD 3/8-16 X 2.75	6				
23	51-780125	BEARING-BALL 1.5743 ID	2				
24	51-786096	SHAFT -PIN DIFF 2600	1				
25	51-778157	PINION -BEVEL 10T STL	2				
26	51-778158	GEAR-BEVEL 16T STL	2				
27	51-780156	WASHER 1.252ID .058W	2				
28	51-786098	BLOCK-DRIVE	2				
29	51-774486A	DIFF CARRIER AND WSHER	1				
30	51-774490A	DIFF CARRIER AND WSHER	1				
31	51-778268	GEAR-SPUR 16T STL SER	1				
32	51-778269	GEAR -SPUR 24T STL SER	1				
33	51-776350	SHAFT -SHIFTER & BRAKE	1				
34	51-778307	GEAR-SPUR 35T STL	1				
35	51-778308	GEAR -SPUR SHIFTER 19T	1				
36	51-786026	PIN-DOWEL 5/16 X 3/4	2				
37	51-772163	CASE-W/ BEARINGS	1				
38	51-772169	COVER-W/BEARINGS	1				

FRONT FRAME

440

FIGURE 8

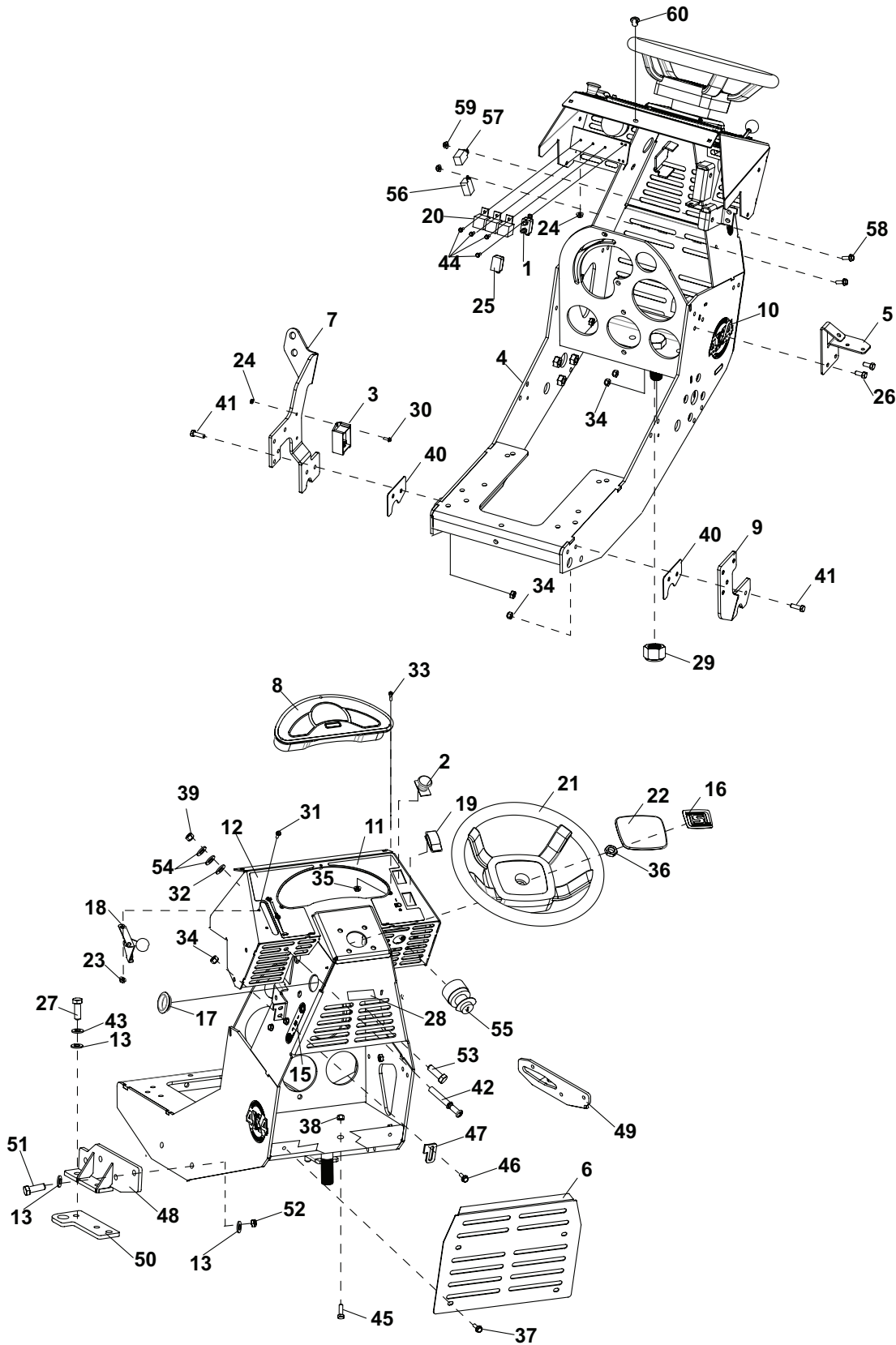


FIGURE 8

ITEM	PART NO.	DESCRIPTION	QTY	ITEM	PART NO.	DESCRIPTION	QTY
1	48524	40 AMP BREAKER	1	34	64229-02	NUT-NYLON LOCK 5/16-18	8
2	2721505	PTO SWITCH	1	35	64229-10	NUT-NYLON 10-24	3
3	4165343	MODULE-SOFT START	1	36	64244-04	NUT-HEX JAM, M16-1.5	1
4	4169893	S-FRAME FRONT	1	37	64197-001	BLT-TDFM 5/16-18X3/4	4
5	4166570.7	BRKT-MTG HYD FILTER	1	38	64229-05	NUT-NYLON LOCK 1/2-13	2
6	4166582.17	PANEL-PUMP COVER	1	39	64229-03	NUT-NYLON LOCK 3/8-16	1
7	4170038.7	BRKT-GRILLE MNTNG	1	40	4166911.7	PLATE-SPACER	2
8	4166804	GAGE-CLUSTER	1	41	64262-007	BLT-HEX 5/16-18X1	4
9	4172796.7	BRKT-GRILLE MNTNG, LEFT	1	42	108009-13	CABLE-CHOKE (GAS MODEL ONLY)	1
10	4167282	DECAL- 4X4, 440	1				
11	4167305	DECAL-DASH, STEINER RH	1	43	64006-05	LOCKWSHR-1/2 HELICAL	4
12	4167306	DECAL-DASH, STEINER LH	1	44	64152-78	SCREW-TORX 10-32X1/2	5
13	64163-114	WSHR-.531 X 1.062 .095	18	45	64018-6	BLT-CRG 1/2-13 X 1	2
14*	4167310	DECAL-PARKING BRAKE	1	46	64262-006	BLT-FLG HS 5/16-18 X 3/4	2
15	4167313	DECAL-H/L SHIFTER, 440	1	47	4169740.7	PLATE-HI/LO ADJUSTER	1
16	4167336	DECAL-STEERING WHEEL	1	48	4169831.17	WLDMT-AXLE MOUNT LH	1
17	4167389	PLUG-PLASTIC 1-1/2	2	49	4169842.17	WLDMT-AXLE MOUNT RH	1
18	118020-18	CABLE-CNTRL THROTTLE (DIESEL MODEL ONLY)	1	50	4169830.17	PLATE-MTG STEERING CVL	1
	118020-19	CABLE-CNTRL THROTTLE (GAS MODEL ONLY)	1	51	64123-313	HEX 1/2-20X1-1/2 GR8	7
19	31-051	ROCKER SWITCH	1	52	64229-15	NUT-NYLON LOCK 1/2-20 GR8	7
20	2722325	RELAY	3	53	64018-7	BLT-CRG 3/8-16 X 1-1/4	4
21	47-103	STEERING WHEEL	1	54	64163-46	WSHR.383/.393X.88X7GA	2
22	47-104	CAP, STEERING WHEEL	1	55>	1E013-63590	KEY SWITCH	1
23	64025-15	NUT-HEX #10-24 KEPS	2	56>	T0070-31410	SHUT OFF TIMER	1
24	64025-29	NUT-HEX #8-32 KEPS	2	57>	15694-65990	GLOW PLUG TIMER	1
25	4167813	CAP-RUBBER	2	58	64139-04	BLT-WLF 1/4-20 X 3/4	2
26	64123-54	BLT-HEX 5/16-18 X .75	2	59	64141-2	NUT-WLF 5/16-18	2
27	64123-24	BLT-HEX 1/2-13X2	4	60	4171892	PLUG-HOLE	1
28	4165932	LABEL-EPA (GAS MODEL ONLY)	1				
29	64151-9	NUT-HEX 1-14 ESNA	1				
30	64152-20	SCREW-MACH 8-32X1/2	2				
31	64152-46	SCREW-SLT HH 10-24X1/2	2				
32	64163-99	WSHR-.510X1.31X.179	1				
33	64189-25	BLT-HEX SOC 10-24 X 3/4 SS	3				

* NOT ILLUSTRATED
>AVAILABLE THROUGH KUBOTA

HOOD & GRILLE

440

FIGURE 9

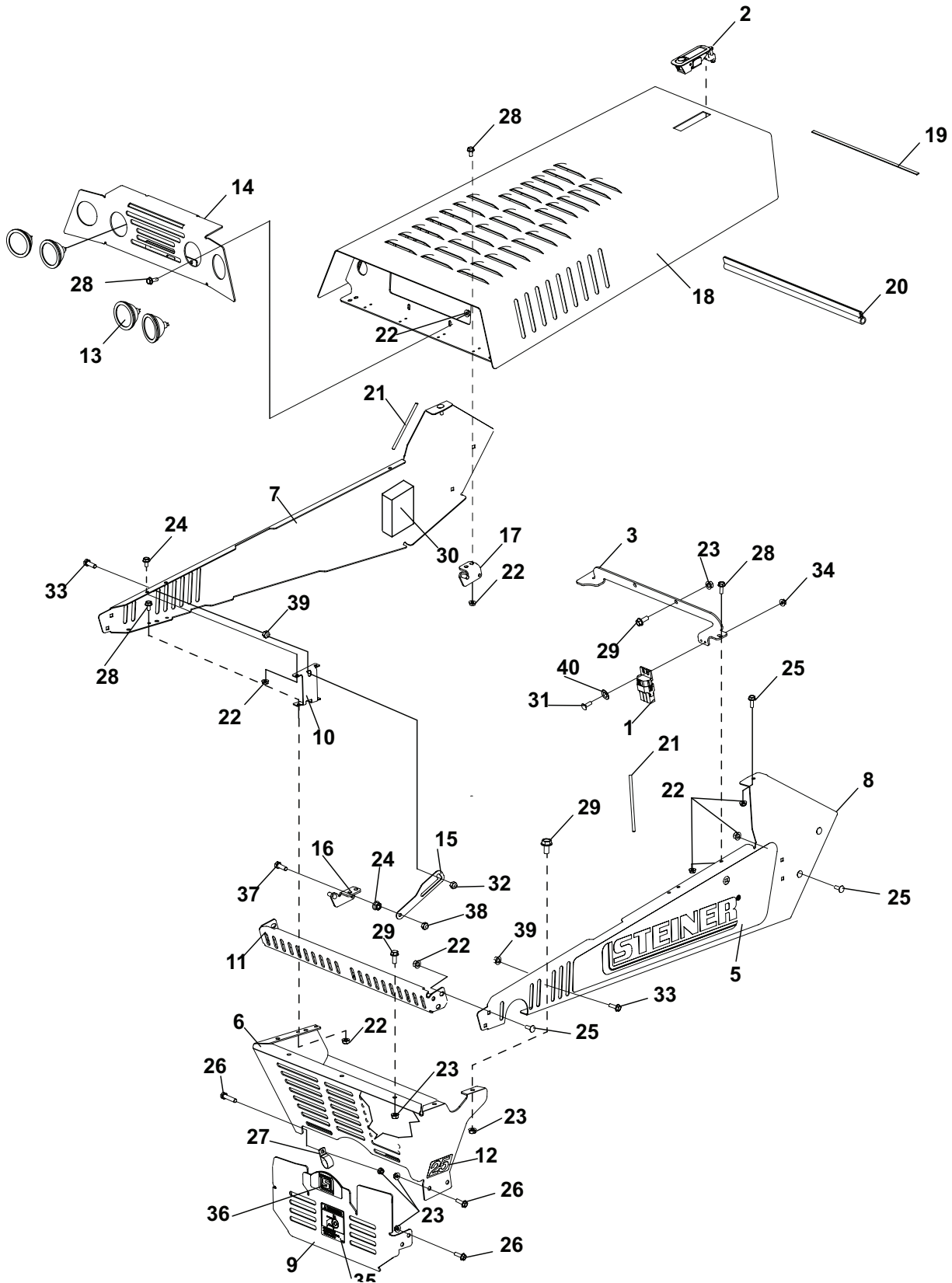


FIGURE 9

ITEM	PART NO.	DESCRIPTION	QTY	ITEM	PART NO.	DESCRIPTION	QTY
1	2188154	MODULE-DELAY	1				
2	4166741	LATCH-TRIGGER	1				
3	4166981.7	BRKT-MNTG, OIL COOLER	1				
4*	4167274	DECAL-STEINER 440, RH	1				
5	4167275	DECAL-STEINER 440, LH	1				
6	4167619	S-GRILLE, UPPER 440	1				
7	4170035.17	SIDE PANEL-RIGHT	1				
8	4170036.17	SIDE PANEL-LEFT	1				
9	4167620	S-GRILLE, LOWER	1				
10	4167322.7	BRKT-HOOD STOP, RH	1				
	4167644.7	BRKT-HOOD STOP, LH					
11	4166869.7	WLDMT-PANEL, FRONT	1				
12	4167300	DECAL-"25", STEINER DIESEL	1				
	4167301	DECAL-"32", STEINER GAS					
13	4167297	HEADLIGHT-GROMMET MNT	4				
*	4167297-01	GROMMET-HEADLIGHT	1				
14	4169980.7	BRKT-LIGHT MOUNTING	1				
15	4167257.7	BRKT-HOOD STOP, RH	1				
	4167011.7	BRKT-HOOD STOP, LH					
16	4166610.7	HINGE-RIGHT, WLDMT	1				
17	4166608.7	HINGE-LEFT, WLDMT	1				
18	4166607.17	WLDMT-HOOD	1				
19	56-068-35	TRIM SEAL /FT. 35"	1				
20	56-003-18	WEATHERSTRIP 3/16X3/4	1				
21	56-046-01	TRIM TRIM-LOC /FT 9.5"	2				
22	64141-2	NUT-WLF 1/4-20	24				
23	64141-6	NUT-WLF 5/16-18	18				
24	64139-02	BLT-WLF 1/4-20X1/2	4				
25	64018-2	BLT-CRG 1/4-20X3/4	10				
26	64123-68	BLT-HEX 5/16-18X1	8				
27	48228-2A	CLAMP-3/4 CLIP	1				
28	64139-04	BLT-WLF 1/4-20 X 3/4	12				
29	64139-08	BLT-WLF 5/16-18X3/4	8				
30	4167043-01	FOAM-INSULATING BLCK, 6.25"	2				
31	64152-20	SCREW-MACH 8-32X1/2	2				
32	64229-02	NUT-NYLON LOCK 5/16-18	2				
33	64218-07	SCR-BTN HD 5/16-18X1-1/2	2				
34	64025-29	NUT-HEX #8-32 KEPS	2				
35	2000577	LABEL WARNING	2				
36	4167311	DECAL-STEINER	1				
37	64123-89	BLT-HEX 1/4-20X3/4	2				
38	64229-01	NUT-NYLON LOCK 1/4-20	2				
39	64025-02	NUT-HEX 5/16-18	2				
40	01-009	WASHER-FLAT, #8 SAE	2				
41*	4167344	HARNES-LIGHT	1				

* NOT ILLUSTRATED

REAR FRAME

440

FIGURE 10

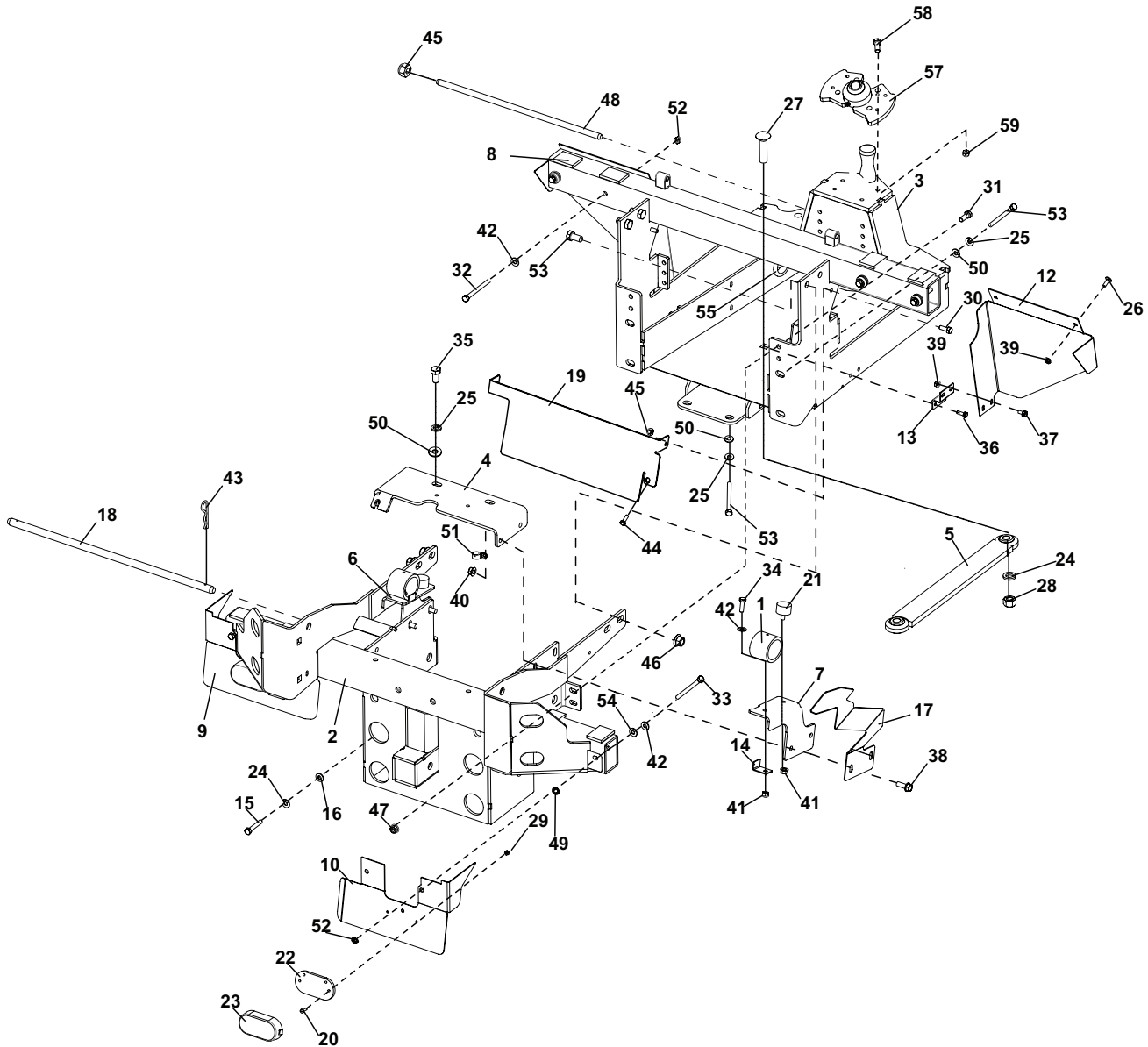


FIGURE 10

ITEM	PART NO.	DESCRIPTION	QTY	ITEM	PART NO.	DESCRIPTION	QTY
1	4165676	BUMPER-RADIAL	2	30	64123-107	BLT-HEX 5/16-18 X .75	2
2	4165767.7	WLDMT-HITCH, WEIGHT BAR	1	31	64123-50	BLT-HEX 3/8-16X1	4
3	4169865.7	WLDMT-MID FRAME	1	32	64123-55	BLT-HEX 5/16-18 X 3	4
4	4166012.7	BRKT-TOP 3PT	1	33	64123-66	BLT-HEX HD 5/16-18 X 3.5	4
5	4170639.7	WLDMT-CENTER LINK	1	34	64123-68	BLT-HEX 5/16-18X1	2
*	4168424	ZERK-1/4-28	2	35	64123-73	BLT-HEX 1/2-13X1	2
6	4166572.7	BRKT-SEAT SUPPORT, LH	1	36	64197-025	BLT-TDFM 1/4-20X5/8	4
7	4166573.7	BRKT-SEAT SUPPORT, RH	1	37	64139-02	BLT-WLF 1/4-20 X 1/2	4
8	4166642-01	PAD-RUBBER, TANK	8	38	64139-18	BLT-WLF 3/8-16X1-1/4	4
9	4166664.7	FENDER-REAR, LH	1	39	64141-2	NUT-WLF 5/16-18	8
10	4166665.7	FENDER-REAR, RH	1	40	64141-4	NUT-WLF 3/8-16	4
11*	4166668.7	FENDER-FRONT, LH	1	41	64141-6	NUT-WLF 5/16-18	4
12	4166669.7	FENDER-FRONT, RH	1	42	64163-55	WASHER-.531 x 2.00 x .125	10
13	4166681.7	BRKT-MOUNT, FENDER	2	43	64168-4	COTTER-HAIRPIN.15X2.68	2
14	4166689.7	STOP-ROTATIONAL	2	44	64197-001	BLT-TDFM 5/16-18 X 3/4	1
15	64123-109	BLT-HEX 5/8-11X1-1/2	4	45	64229-02	NUT-NYLON LOCK 5/16-18	4
16	64163-16	WSHR 41/64X1-3/8X12 GA	4	46	64268-05	NUT-FL NYLON LOCK 1/2-13	4
17	4167204.7	LATCH-SEAT, 440	1	47	64268-03	NUT-FL NYLON LOCK 3/8-16	4
18	4167205	ROD-Ø5/8, 440 WEIGHT KIT	1	48	4167182	ROD-SPANNER	1
19	4168790.7	PLT-HEAT SHIELD	1	49	64002-04	WASHER STAR EXT. 5/16	2
20	01-025	SCREW MACHINE 8-32 X 5/8	4	50	64163-67	WSHR-.516X1X12GA	2
21	05-042	BUMPER-RUBBER	2	51	48228-2A	CLAMP-3/4 CLIP	1
22	33-034	BASE, TAIL LIGHT	2	52	64268-02	NUT-FL NYLON LOCK 5/16-18	8
23	33-034	COVER, TAIL LIGHT	2	53	64123-39	BLT-HEX 1/2-13X1-1/4	10
24	64006-04	LOCKWSHR-5/8 HELICAL	5	54	64163-67	WSHR-.516X1X12GA	6
25	64006-05	LOCKWSHR-1/2 HELICAL	8	55	05-034	GROMMET	1
26	64018-2	BLT-CRG 1/4-20X3/4	4	56	64163-29	WSHR-21/64 X 1 X 11GA	A/R
27	64018-40	BLT-CRG 5/8-11 X 2-1/2	1	57	4169801.7	WLDMNT-BALL, PIVOT STOP	1
28	64025-21	NUT-HEX 5/8-11	1	58	64123-117	BLT-HEX, 1/2-13 X 1-1/2	4
29	64025-29	NUT-HEX #8-32 KEPS	4	59	64229-05	NUT-LOCK, NYLON 1/2-13	4

* NOT ILLUSTRATED

FIGURE 11

ITEM	PART NO.	DESCRIPTION	QTY	ITEM	PART NO.	DESCRIPTION	QTY
1	4167629	S-WLDMT, BATTERY	1	22	4166669.7	FENDER-FRONT,RH	1
2	4167628	S-WLDMT, TOP BATTERY	1	23	4167428.7	BRACKET-BOTTOM,	2
3	4167627	S-WLDMT FUEL TANK	1	24	64163-03	WASHER-.531 x 2.00 x .125	3
4	4166557.7	STRAP-BATTERY	1	25	64018-2	BLT-CRG 1/4-20X3/4	9
5	4165110	BATTERY-9.00 X 6.81 X 8.00 (DIESEL MODEL ONLY)	1	26	64141-2	NUT-WLF 1/4-20	14
	33-015	BATTERY 26-60 525CCA (GAS MODEL ONLY)		27	64123-80	BLT-HEX 1/4-20X1-1/4	1
				28	64229-01	NUT-NYLON LOCK 1/4-20	6
				29	64139-04	BLT-WLF 1/4-20 X 3/4	4
				30	64018-9	BLT-CRG 5/16-18 x 3/4	4
6	30-090	CABLE-BATTERY NEGATIVE (DIESEL MODEL ONLY)	1	31	64152-79	SCREW-HEX PHD 8-32X3/8	8
	4167293-2	CABLE-BATTERY, POSITIVE (GAS MODEL ONLY)		32	64025-29	NUT-HEX #8-32 KEPS	8
				33	64123-89	BLT-HEX 1/4-20X3/4	6
				34	64197-015	BLT-TDFM 10-32X1/2 TORX HD	3
				35	64207-01	NUT-HEX M8-1.25	2
7	4167293-1	CABLE-BATTERY, POSITIVE (DIESEL MODEL ONLY)	1	36*	4167314	DECAL-TIRE PRESSURE, 440	1
	30-064	CABLE-BATTERY NEGATIVE (GAS MODEL ONLY)		37	4167181	CUP HOLDER- INSERT	1
				38	4167320	DECAL- GAS SYMBOL, (GAS MODEL ONLY)	1
8	4167281	DECAL- DIESEL 440 RH	1	39	64268-01	NUT-FL NYLON LOCK 1/4-20	4
	4167277	DECAL-GAS 440, RH		40	64141-6	NUT-WLF 5/16-18	2
				41	64152-80	SCREW-HEX HPHD 6-32X3/8	4
9*	4167280	DECAL- DIESEL 440, LH	1	42	64025-26	NUT-HEX #6-32 KEPS	4
	4167276	DECAL-GAS 440, LH		43	4166681.7	BRKT-MOUNT, FENDER	2
				44	64139-02	BLT-WLF 1/4-20X1/2	4
				45	4167024	GROMMET, 5/16 BOLT	8
				46	4167023	SPACER, .50.D. X .470LG	8
				47*	4166642	PAD-RUBBER, TANK	8
				48	4167626	S-ROLLOVER CVR DIESEL	1
					4167630	S-ROLLOVER CVR GAS	
				49*	2000570	LABEL-WARN FUEL PICT	1
				50	4167714-01	HOSE-CUP HOLDER, 15"	1
				51	4167307	DECAL-CAU/AUX COMBO	1
				52	2000590	LABEL WARN BATTERY	1
				53*	4163040	LABEL-WEIGHT WARNING	1
				54	88042-02	CLAMP-HOSE 5/16	1
				55	64151-15	NUT-CL 5/16-18	4
				56	48228A	CABLE CLIP-INSULATED	1
				57	69051-03	PIPE PLUG 1/4	1
				58	64197-025	BLT-TDFM 1/4-20x5/8	4
				59*	4168388	DECAL-SUDDEN STOP	1

4174249



* NOT ILLUSTRATED

FRONT AXLE & WHEELS

440

FIGURE 12

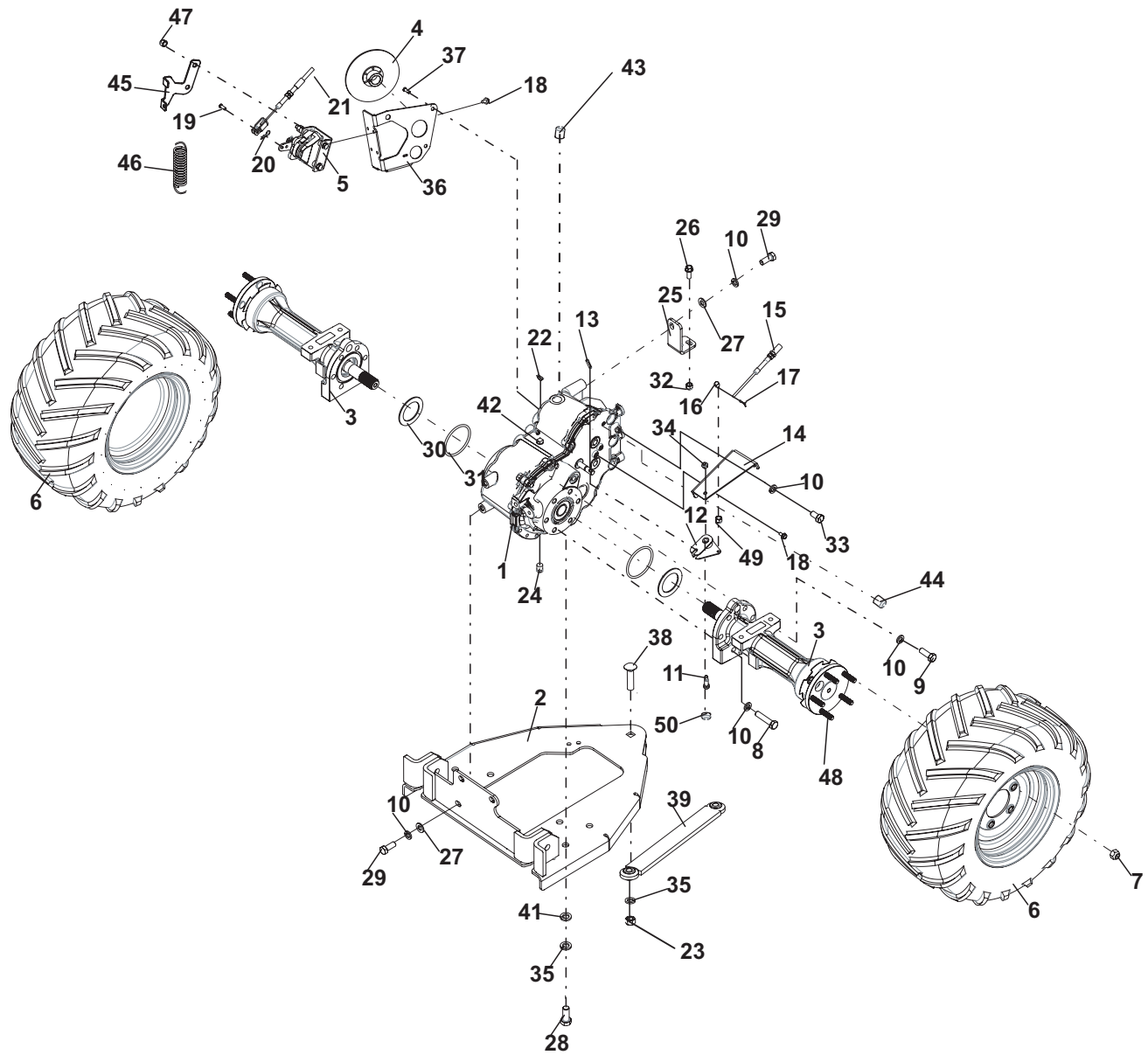


FIGURE 12

ITEM	PART NO.	DESCRIPTION	QTY	ITEM	PART NO.	DESCRIPTION	QTY
1	4166056-06	HOUSING, TRANSAXLE (INCLUDES ITEM 40)	1	29	64123-39	BLT-HEX 1/2-13X1-1/4	2
2	4166005.7	WLDMT-AXLE SUPPORT	1	30	4166056-03	TRANSAXLE SPACER	2
3	4166056-01.7	AXLE	2	31	4166056-04	TRANSAXLE O-RING	2
4	4166353	ROTOR-BRAKE, PARKING	1	32	64229-03	NUT-NYLON LOCK 3/8-16	2
5	4166362	CALIPER-BRAKE 6:00 LVR	1	33	64123-73	BLT-HEX 1/2-13X1	1
*	53-021	PUCK-BRAKE SET OF 2	1	34	64237-30	NUT-NYLON LOCK M10	1
6	4167166	WHEEL ASSY-CHEV 22X11.0-10 LH	2	35	64006-04	LOCKWSHR-5/8 HELICAL	7
	4167166-01	TIRE-22X11-10 OTR CHEVER		36	4166865.7	WLDMT-BRKT CAL MTG FRT	1
	4167166-02	RIM-10X8.5 5BLT WHT		37	64139-08	BLT-WLF 5/16-18X3/4	3
	4167167	WHEEL ASSY-CHEV 21X11.0-10 RH	2	38	64018-40	BLT-CRG 5/8-11 X 2-1/2	1
	4167166-01	TIRE-22X11-10 OTR CHEVER		39	4170639.7	WLDMT-CENTER LINK	1
	4167166-02	RIM-10X8.5 5BLT WHT			4168424	ZERK-1/4-28	2
OPTIONAL:				40*	4166056-05	SEAL-OIL TRANSAXLE	2
	4167168	WHEEL ASSY-FIELD TRX22X12.0-10	4	41	64163-16	WSHR 41/64X1-3/8X12 GA	6
	4167168-01	TIRE-FIELD TRAX 22X12-10		42	69051-08	PLUG-PIPE 3/8	1
	4167166-02	RIM-10X8.5 5BLT WHT		43	69051-07	PLUG-PIPE 3/4	1
	4167391	ASSY-WHEEL TURF 22 X 11.0-10	4	44	69051-05	PLUG-PIPE 1/4	1
	4167391-01	TIRE-TURF 22X11-10		45	4169601.7	BRKT-BRAKE SPRING MOUNT	1
	4167166-02	RIM-10X8.5 5BLT WH		46	4164627	SPRING-EXT.5 X 2.25 X .055	1
7	64187-02	S-NUT-WHEEL 7/16-20	10	47	64001-2	NUT-JAM 3/8-24	2
8	64123-259	BOLT, 1/2-13 X 2_1/4	4	48	64228-05	STUD-WHEEL	10
9	64123-117	BLT-HEX 1/2-13X1-1/2	8	49	4171545	SPACER	1
10	64006-05	LOCKWSHR-1/2 HELICAL	15	50	4128002	CAP	1
11	64270-02	BLT-hex m10-1.5 x 30	1	*NOT ILLUSTRATED			
12	4171546	ASSY-LEVER, SHIFTER	1				
13	64061-25	ROLLPIN-1/4 X 1-1/4	1				
14	4166506.7	BRKT-MOUNTING, SHIFTER	1				
15	4172335	CABLE-SHIFTER 25"	1				
16	4166630	SWIVEL-10-32 X .188 PIN	1				
17	64140-16	COTTER PIN-5/64 X 3/4	1				
18	64139-02	BLT-WLF 1/4-20 X 1/2	6				
19	64188-65	PIN-CLEVIS, 1/4 X .62	1				
20	64168-2	COTTER-HAIRPIN.08X1.19	1				
21	4172338	CABLE-BRAKE, 28.38" OAL	1				
22	64164-19	KEY, WOODRUFF 3/16 X 3/4	1				
23	64025-21	NUT-HEX 5/8-11	1				
24	69051-06	PIPE PLUG-3/8 INT W/MAGNET	1				
25	4166940.7	BRKT-MTG, TRANSAXLE	1				
26	64262-011	BLT-FLG HD 3/8-16 X 1	2				
27	64163-67	WASHER-.531 x 2.00 x .125	2				
28	64123-109	BOLT-5/8-11 X 1-1/2	6				

FIGURE 13

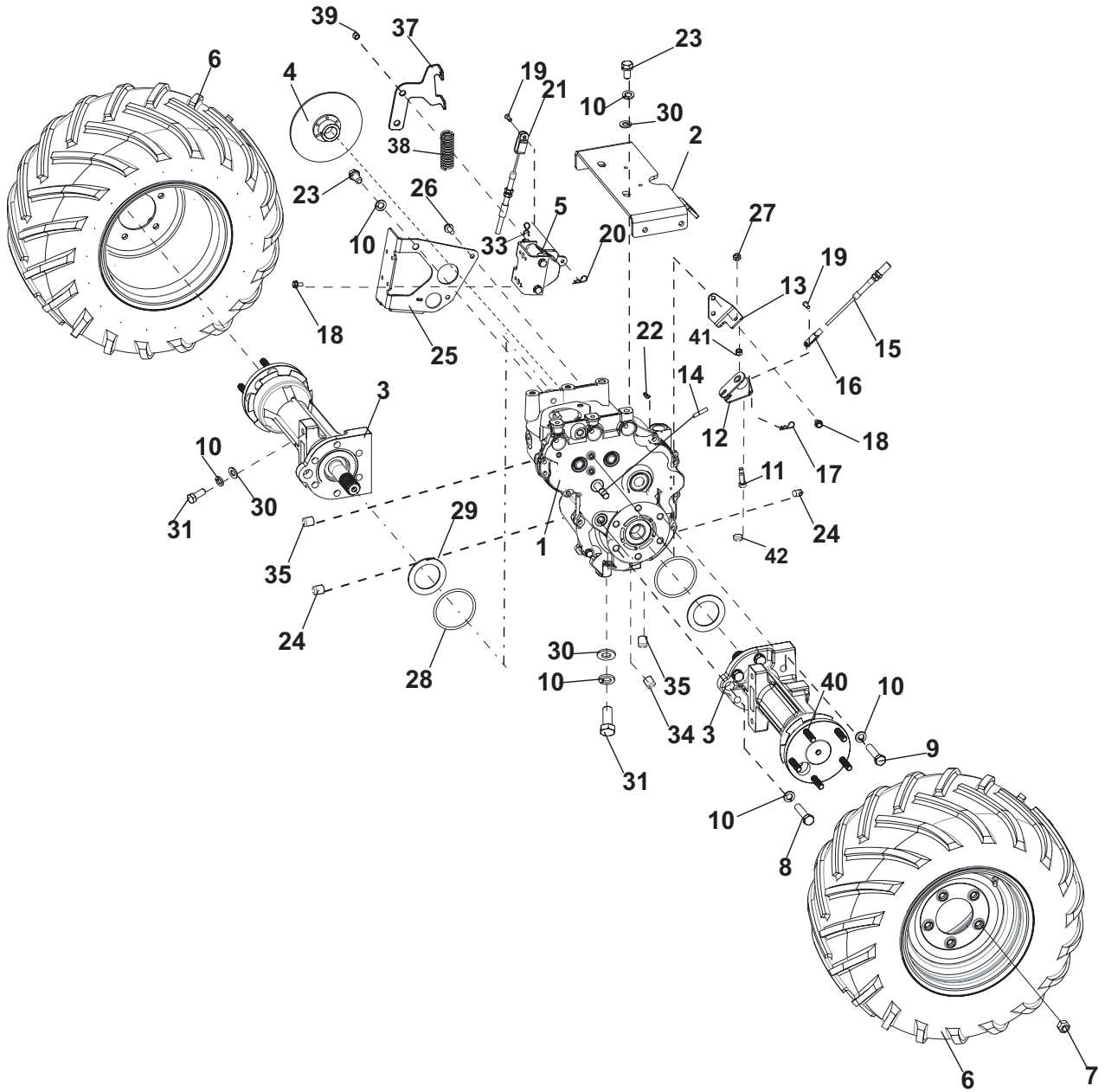


FIGURE 13

ITEM	PART NO.	DESCRIPTION	QTY	ITEM	PART NO.	DESCRIPTION	QTY
1	4166056-06	TRANSAXLE (INCLUDES ITEM 32)	1	36	4166056	ASSY-TRANSAXLE (INCLUDES ITEMS 1, 3, 8, 9, 10, 28, 29, & 32)	1
2	4166012.7	BRKT- TOP MTG, 3PT	1	37	4169601	BRKT-BRAKE SPRING MOUNT	1
3	4166056-01.7	AXLE	2	38	4164627	SPRING-EXT.5 X 2.25 X .055	1
4	4166353	ROTOR-BRAKE, PARKING	1	39	64001-2	NUT-JAM 3/8-24	2
5	4166362	CALIPER-BRAKE 6:00 LEVER	1	40	64228-05	STUD-WHEEL	10
*	53-021	PUCK-BRAKE SET OF 2	1	41	4171545	SPACER	1
6	4167166	WHEEL ASSY-CHEV 22X11.0-10 LH	2	42	4128002	CAP	1
	4167166-01	TIRE-22X11-10 OTR CHEVER					
	4167166-02	RIM-10X8.5 5BLT WHT					
	4167167	WHEEL ASSY-CHEV 21X11.0-10 RH	2				
	4167166-01	TIRE-22X11-10 OTR CHEVER					
	4167166-02	RIM-10X8.5 5BLT WHT					
* NOT ILLUSTRATED							
OPTIONAL:							
	4167168	WHEEL ASSY-FIELD TRX22X12.0-10	4				
	4167168-01	TIRE-FIELD TRAX 22X12-10					
	4167166-02	RIM-10X8.5 5BLT WHT					
	4167391	ASSY-WHEEL TURF 22 X 11.0-10	4				
	4167391-01	TIRE-TURF 22X11-10					
	4167166-02	RIM-10X8.5 5BLT WH					
7	64187-02	S-NUT-WHEEL 7/16-20	10				
8	64123-259	BOLT, 1/2-13 X 2_1/4	4				
9	64123-117	BLT-HEX 1/2-13X1-1/2	8				
10	64006-05	LOCKWSHR-1/2 HELICAL	15				
11	64270-02	BLT-HEX M10-1.5 X 30	1				
12	4171546	ASSY-LEVER, TRANS	1				
13	4166519.7	BRKT-MTG, SHIFT LEVER	1				
14	64061-25	ROLLPIN-1/4 X 1-1/4	1				
15	4172334	CABLE-SHIFTER 80"	1				
16	4166629	CLEVIS-10-32 THD X .188 PIN	1				
17	64140-1	COTTER PIN-1/8X1	1				
18	64139-02	BLT-WLF 1/4-20 X 1/2	6				
19	64188-65	PIN-CLEVIS, 1/4 X .62	1				
20	64168-2	COTTER-HAIRPIN .08X1.19	1				
21	4172337	CABLE-BRAKE, 55.88"	1				
22	64164-19	KEY, WOODRUFF 3/16 X 3/4	1				
23	64123-73	BLT-HEX 1/2-13X1	2				
24	69051-08	PLUG-PIPE 3/8	2				
25	4166866.7	WLDMT-BRKT CALIPER	1				
26	64139-08	BLT-WLF 5/16-18X3/4	2				
27	64237-03	NUT-NYLON LOCKM10	1				
28	4166056-03	O-RING-TRANSAXLE	2				
29	4166056-04	SPACER-TRANSAXLE	2				
30	64163-67	WSHR-.516X1X12GA	2				
31	64123-39	BLT-HEX 1/2-13X1-1/4	3				
32*	4166056-05	SEAL-OIL TRANSAXLE	2				
33	548602	PIN-LOCKING	1				
34	69051-07	PLUG-PIPE 3/4	1				
35	69051-05	PLUG-PIPE 1/4 INT	2				

FIGURE 14

ITEM	PART NO.	DESCRIPTION	QTY	ITEM	PART NO.	DESCRIPTION	QTY
1	4166015	PUMP-HYDRO, 1.24 EATON	1	39	64123-87	BLT-HEX 3/8-16 X 1-3/4	1
*	4166015-01	SEAL KIT		40	4128004	BEARING-BALL 10 X 26 X 8	2
*	4166015-02	KEY-INPUT SHAFT		41	4169645.7	HUB-BELLCRANK	1
2	4166014	PUMP-CHARGE & IMPLEMENT	1	42	64268-02	NUT-FL NYLON LOCK 5/16-18	2
*	4166014-01	SEAL KIT		43	64006-01	LOCKWSHR-1/4 HELICAL	5
*	4166014-02	KEY-SHAFT		44	64123-60	BLT-HEX 1/4-20 X 2	1
3	64025-01	1/4-20 HEX NUT	2	45	4169542	ROD-1/4-28 RH & LH THRD X 6	1
4	64262-025	BLT-FLG HD 3/8-16 X 2-1/2	2	46	64025-23	NUT-HEX 1/4-28	6
5	64268-03	NUT-FL NYLON LOCK 3/8-16	2	47	4167749	ROD END-1/4-28 LH W/STUD	2
6	64229-01	NUT-NYLON LOCK 1/4-20	9	48	64025-45	NUT-HEX 1/4-28 LH	2
7	64141-6	NUT-WLF 5/16-18	9	49	64163-61	WSHR .81X.406X16GA	2
8	64163-68	WSHR-1.015X1.5X9 GA	1	50	4162978-006	HOSE, FUEL LINE 1.38 INCH	2
9	64123-68	BLT-HEX 5/16-18X1	3	51	64144-40	SNAP RING-26MM INTERNAL	1
10	64163-55	WASHER-.531 x 2.00 x .125	2	52	64044-23	SCREW-SET 1/4-28X1/4	2
11	64229-02	NUT-NYLON LOCK 5/16-18	13	53	64229-03	NUT-NYLON LOCK 3/8-16	2
12	64123-47	BLT-HEX 5/16-18X1-1/4	3	54	64044-1	SCREW-SET 1/4-20X1/4	2
13	64123-107	BLT-HEX 5/16-18X7/8	9	55	29-045	GREASE FITTING 1/4-28 45DG	1
14	64123-89	BLT-HEX 1/4-20X3/4	4	56	2183071-03	SPACER	1
15	4169886.7	BRKT-MOUNTING HYDRO CABLE	1	57	64123-75	BLT-HEX 3/8-16 X 3	1
16	64123-120	BLT-HEX 1/4-20 X 1-1/2 FULL TH	1	58	64123-56	BLT-HEX 5/16-18X2	1
17	4171855.17	WLDMT-FRWD REV PLATE	1	59	64018-2	BLT-CRG 1/4-20X3/4	4
18	4169966	CLAMP-PUMP LEVER	2	60	64139-14	BLT-WLF 5/16-18 X 7/8	4
19	4166586.7	WLDMT-LEVER NEUTRAL LOCK	1	61	38304-07	BEARING-FLANGED PLASTIC	2
20	64262-008	BLT-FLG HD 5/16-18 X 1-1/4	1	62	4166711.7	WLDMT-BELLCRANK	1
21	43-004A	ROD END 1/4IN (ALL STEEL)	1	63	4167303	DECAL-WARN/INSTRUCTION	1
22	4166592	BUSHING-.328 X .620 X 1.00	1	64	838790	SPACER-ENGINE MOUNT	1
23	4171838.17	BRKT-MTG SPRING NTRL CTRL	1	65	47-128	STABILIZER-SHOCK ABSRBR	1
24	4166927	SPRING, COMPRESSION	1	66	4167711	TUBE-SPACER, .312 X .255 X .63	1
25	4143595-01	ROD END-FEMALE 5/16-24 LH	1	67	64123-297	BLT-HEX, 1/4-20 x 2-1/2 FL THR	1
26	64123-309	BLT-HEX 5/16-24X5-1/2 1.5"THRD	1	68	4167750	ROD-1/4-28 RH/LH THRD X 7.25"	1
27	2193046	BUSHING-NEUTRAL CONTROL	1	69	4167615	S-WLDMT, FOOT PLATE	1
28	123032	BUSHING-NEUTRAL CNTRL	1	70	4167035	MAT-PEDAL	2
29	4172099	NUT-HEX, LONG 5/16-24	1	71	4167623	S-WLDMT, FOOT PEDAL	1
30	64001-11	NUT-JAM 5/16-24	2	72	4117819	BEARING-PILLOW BLOCK	2
31	4166210	PULLEY-4.5 A PUMP TO PUMP	1	73	4167622	S-PEDAL, BOLT ON	1
32	4166482	PULLEY- 5.5 OD, .625ID, A-SECT	1	74	4169570.7	BRKT-BEARING MNT, CABLE	1
33	4166643	BELT	1	75	64163-31	WSHR 25/64X1X12	2
34	4169538.7	BRKT-MNTING, CABLE BLL CRNK	1	76	64141-2	NUT-WLF 1/4-20	1
35	4169539.7	BRKT-CABLE BRNG MNT BTTM	1	77	4167033	MAT-FOOT PLATE	1
36	4130975	BRG-BALL FL MT TWO BLT 5/8	2	78	64163-105	WSHR-.406X.75X.134	2
37	4172333	CABLE-CONTROL, 43.63	1	79	64123-70	BLT-HEX 3/8-16 X 1-1/2	4
38	43-004S	ROD END-1/4-28 RH W/STUD	2	80	4169967.7	PLATE-PUMP LEVER SPACER	1
				81	64006-03	WSHR-LOCK 3/8 HELICAL	4

*NOT ILLUSTRATED

BRAKE ASSEMBLY

440

FIGURE 15

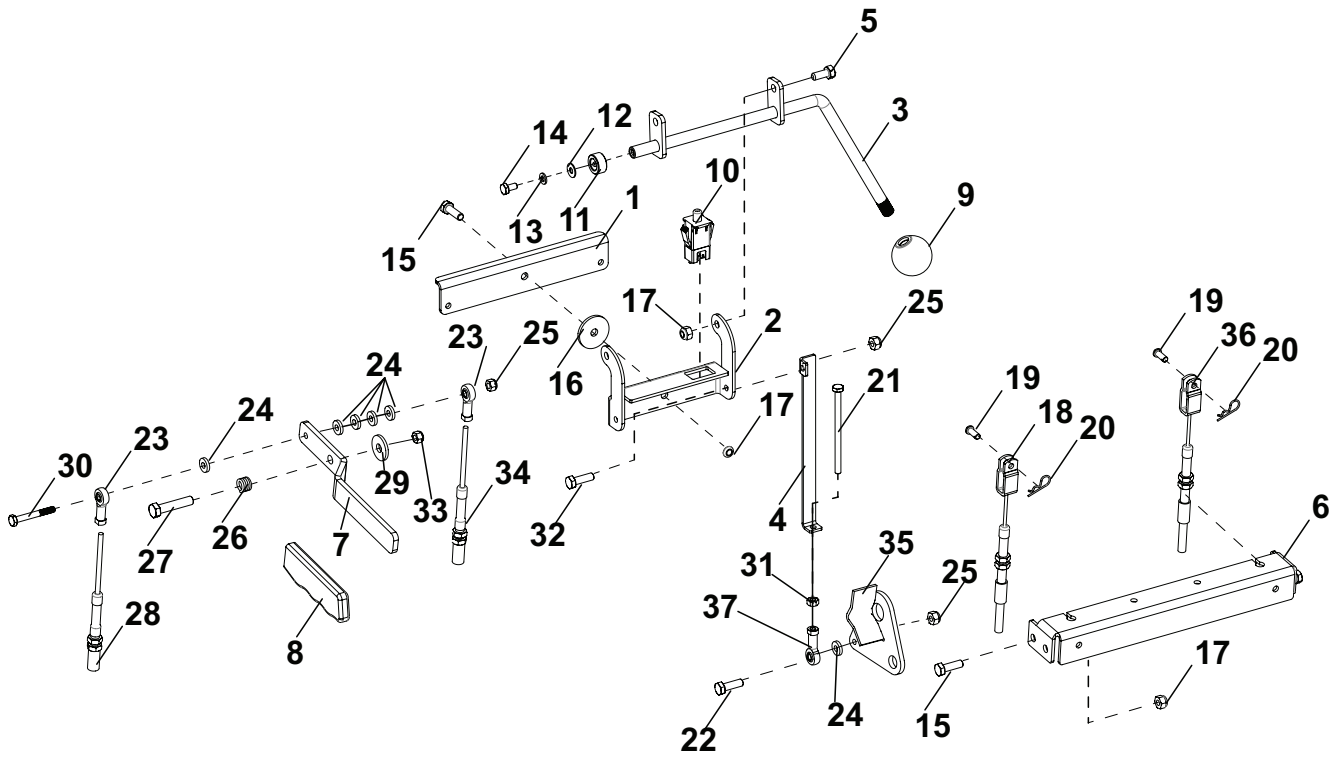


FIGURE 15

ITEM	PART NO.	DESCRIPTION	QTY	ITEM	PART NO.	DESCRIPTION	QTY
1	4166469.7	PLATE-EQUALIZERBRAKE	1				
2	4166467.7	LINK-INNER, PARK BRAKE	1				
3	4166377.7	WLDMT-LVR, PARK BRAKE	1				
4	4166656.7	LINK-NEUTRAL LOCK	1				
5	64123-54	BLT-HEX 5/16-18 X .75	2				
6	4166470.7	ANGLE-MTG, BRAKE CABLE	1				
7	4166515.7	BRKT-LEVER, SHIFTER	1				
8	38404-03	GRIP-CONTROL LEVER	1				
9	47-038	KNOB LARGE 1/2-20 NF	1				
10	31-043	SWITCH-SPDT	1				
11	43067A	COLLAR, SET	1				
12	64163-03	WSHR .256ID X.62OD X 18 GA.	1				
13	64006-01	LOCKWSHR-1/4 HELICAL	1				
14	64123-49	BLT-HEX 1/4-20X1/2	1				
15	64123-68	BLT-HEX 5/16-18X1	5				
16	05-028	FRICTION WASHER	1				
17	64229-02	NUT-NYLON LOCK 5/16-18	7				
18	4172338	CABLE-BRAKE, 55.88"	1				
19	64188-65	PIN-CLEVIS, 1/4 X .62	2				
20	64168-2	COTTER-HAIRPIN .08X1.19	2				
21	64123-287	BLT-HEX 1/4-28X4	1				
22	64123-80	BLT-HEX 1/4-20X1-1/4	1				
23	43-004X	ROD END 1/4IN	2				
24	64163-86	WSHR- .265 X .625 X .125	6				
25	64229-01	NUT-NYLON LOCK 1/4-20	3				
26	41-039	SPRING, COMPRESSION	1				
27	64123-87	BLT-HEX 3/8-16 X 1-3/4	1				
28	4172335	CABLE-SHIFTER 25"	1				
29	2308066	WASHER-FRICTION	1				
30	64123-60	BLT-HEX 1/4-20X2	1				
31	64025-23	NUT-HEX 1/4-28	1				
32	64123-89	BLT-HEX 1/4-20X3/4	1				
33	64229-03	NUT-NYLON LOCK 3/8-16	1				
34	4172334	CABLE-SHIFTER, 80"	1				
35	4166586.7	BRKT-NUETRAL LOCK	1				
36	4172338	CABLE-BRAKE, 28.38"	1				
37	43-004A	END-ROD 1/4IN	1				

*NOT ILLUSTRATED

FIGURE 16

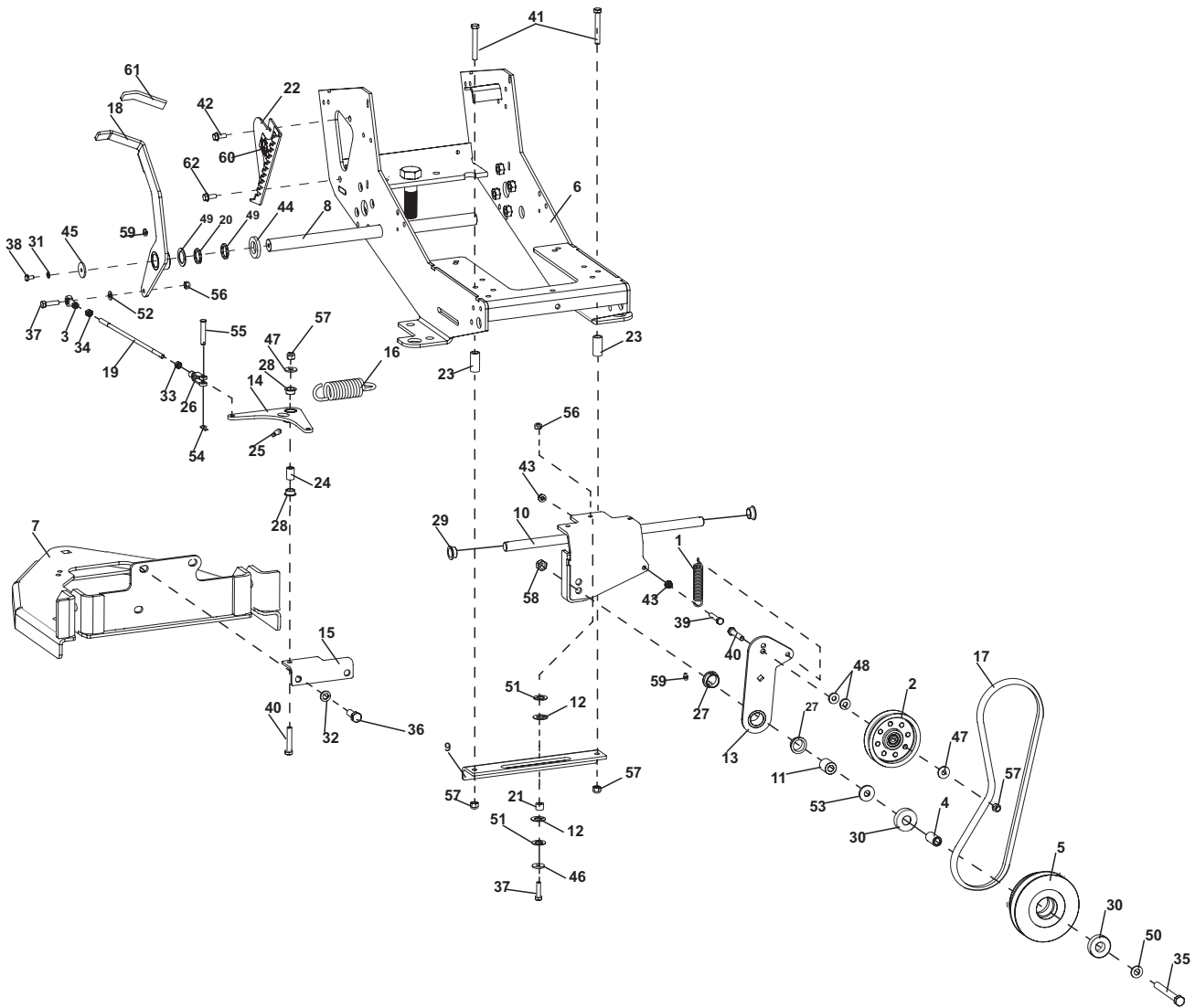


FIGURE 16

ITEM	PART NO.	DESCRIPTION	QTY	ITEM	PART NO.	DESCRIPTION	QTY
1	2188131	SPRING, EXT	1	48	64163-46	WSHR.383/.393X.88X7GA	2
2	2308000	PULLEY-IDLER 4.00 EOD	1	49	64163-64	1.015X1.500X14GA	2
3	4143595-02	ROD END-FEMALE	1	50	64163-67	WSHR-.516X1X12GA	1
4	4165362	BUSHING-DBL IDLR PULLEY	1	51	64163-93	WASHER-.63X 1.12 X .062	2
5	4166001	PULLEY-DBL IDLER GAS (INCLUDES ITEMS 4, 30)	1	52	64163-95	WSHR-.344 X .688 X .065	1
6	4169893	S-WLDMT FRAME FRONT 440	1	53	64163-99	WSHR-.510X1.31X.179	1
7	4166005.7	WLDMT-LWR AXLE SPRT	1	54	64140-1	COTTER PIN-1/8X1	1
8	4167729	SHAFT-FRT LIFT CYL MTG	1	55	64188-02	PIN CLEVIS 5/16X1	1
9	4166295.7	ANGLE-FRONT IDLER STOP	1	56	64229-02	NUT-NYLON LOCK 5/16-18	2
10	4168558	WLDMT-FRONT IDLER MAIN	1	57	64229-03	NUT-NYLON LOCK 3/8-16	4
11	4166310	PIVOT-IDLER .516X1 X1.188	1	58	64268-05	NUT-FLG NYLOCK 1/2-13	1
12	4166312	WSHR-PLASTIC .63X1.81X.06	2	59	85010N	ZERK 1/4-28 STR SLFTH	2
13	4166314.7	WLDMT-ARM IDLER FRT 440	1	60	4167304	DECAL-BELT TENSION, 440	1
14	4166516.7	WLDMT-LEVER, SPRING ADJ	1	61	38404-03	GRIP-HANDLE	1
15	4166520.7	BRKT-MTG SPRING ADJ	1	62	64139-10	BLT-WLF 5/16-18X1-1/4	1
16	4166571	SPRING-EXT 1-1/2 X 5	1				
17	4166636	BELT-5L X 44.00 440 PTO	1				
18	4166684.7	WLDMT-TENSIONER PTO	1				
19	4166690	ROD-5/16-18 X 12.0 PTO ADJ	1				
20	4167335	SPRING-WAVE 1.0 ID	1				
21	4167408	SPACER-.328 X .625 X .480	1				
22	4170359	S-ANGLE,PTO	1				
23	2183063-05	SPACER 32MM LONG	2				
24	2183071-03	SPACER	1				
25	29-045	GREASE FITTING 45-DEG	1				
26	38020N	CLEVIS YOKE 5/16 PLATE	1				
27	38304-05	BEARING-FLNGD PLASTIC	2				
28	38304-07	BRG-FLG .625X.719X.938	2				
29	38304-08	BRG-FLG .75 X .88 X 1.13	2				
30	55-6204	BEARING-6204 SLD BALL	2				
31	64006-01	LOCKWSHR-1/4 HELICAL	1				
32	64006-05	LOCKWSHR-1/2 HELICAL	2				
33	64025-03	NUT-HEX 5/24	1				
34	64025-33	NUT-HEX 5/16-24 LH	1				
35	64123-304	BLT-HEX 1/2-13 X 4-3/4	1				
36	64123-39	BLT-HEX 1/2-13X1-1/4	2				
37	64123-47	BLT-HEX 5/16-18X1-1/4	2				
38	64123-49	BLT-HEX 1/4-20X1/2	1				
39	64123-61	BLT-HEX 5/16-18X1-3/4	1				
40	64123-67	BLT-HEX 3/8-16 X 2	2				
41	64123-88	BLT-HEX 3/8-16X2-3/4	2				
42	64139-08	BLT-WLF 5/16-18X3/4	1				
43	64141-6	NUT-WLF 5/16-18	2				
44	64163-84	WASHER-1.015x 1.75 x .125	1				
45	64163-104	WSHR-.271/.291X1.240	1				
46	64163-29	WASHER-21/64 X 1 X 11GA	1				
47	64163-31	WSHR 25/64X1X12	2				

***NOT ILLUSTRATED**

FRONT HITCH

440

FIGURE 17

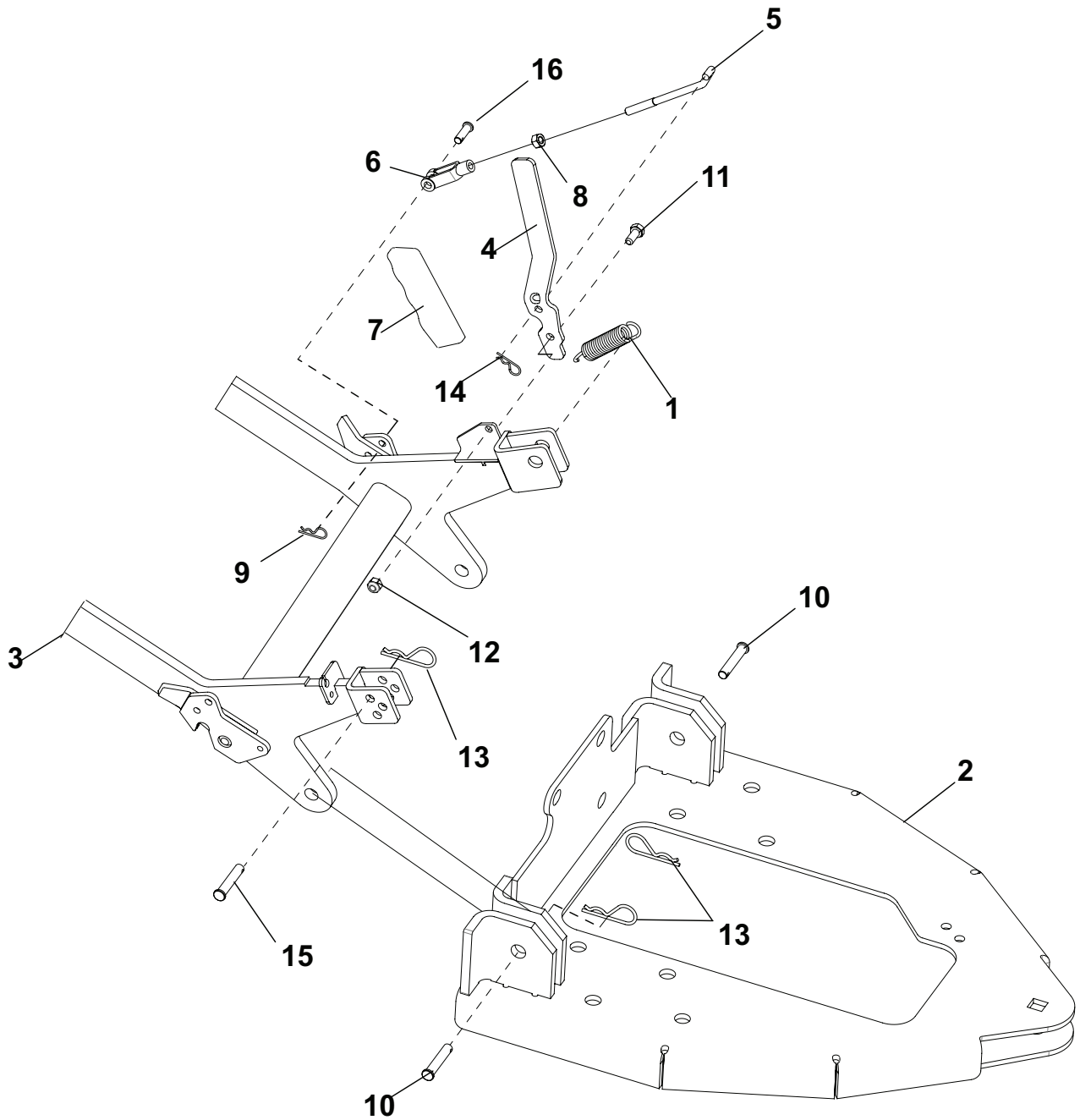


FIGURE 17

ITEM	PART NO.	DESCRIPTION	QTY	ITEM	PART NO.	DESCRIPTION	QTY
1	41-092	SPRING-TENSION	1				
2	4166005.7	WLDMT-LWR AXLE SUPPORT	1				
3	4166223.7	WLDMT-FRT LIFT 430	1				
4	4167824.7	HANDLE-LATCH RELEASE	1				
5	4167825	ROD-LATCH RELEASE	1				
6	38020N	CLEVIS YOKE 5/16 PLATE	1				
7	38404-03	GRIP-CONTROL LEVER	1				
8	64025-03	NUT-HEX 5/24	1				
9	64140-1	COTTER PIN-1/8X1	1				
10	64188-49	PIN-CLEVIS 5/8 X 1-3/4	2				
11	64123-54	BLT-HEX 5/16-18 X .75	1				
12	64229-02	NUT-NYLON LOCK 5/16-18	1				
13	64168-1	COTTER-HAIRPIN .120 x 2-3/8	3				
14	64168-2	COTTER-HAIRPIN .08X1.19	1				
15	64188-75	PIN-CLEVIS 3/8 x 2.0	1				
16	64188-02	PIN-CLEVIS 5/16 X 1.0	2				

***NOT ILLUSTRATED**

FIGURE 18

ITEM	PART NO.	DESCRIPTION	QTY	ITEM	PART NO.	DESCRIPTION	QTY
1	4166599	HARNESS-WIRE DSL	1	15	4166906	SENDER-FUEL LEVEL	1
2	33-034	TWO BULB TAIL LIGHT	2	16	158135-01	SWITCH SEAT - MILCO	1
3>	1E013-63590	SWITCH-IGNITION	1	17	806800	SWITCH-BACKUP ALARM	1
4>	RC101-53630	KEY-IGNITION	1	18	4166891	ALARM-BACKUP	1
5	48524	CIRCUIT BREAKER 40A	1	19	4167497	CLUTCH-ELEC 225	1
6	2721505	SWITCH-PTO	1	20	4167297	HEADLIGHT-GROMMET MTG	4
7	4165343	MODULE-SOFT START	1	21	4143068	PIGTAIL SEAT SWITCH	1
8	4167344	HARNESS-HEAD LIGHTS	4	22	30-291	STRAP BRAIDED GROUND	1
9	4166805	SENDER-WATER TEMP	1	23	30-090	CABLE-BATTERY/STARTER	1
10	272325	RELAY	3	24	2308095	COVER-TERMINAL	2
11	2188154	MODULE-DELAY	1	25	4167293-1	CABLE-BATTERY POS	1
12	555846	DIODE	1	26*	2720949	PIGTAIL-CLUTCH	1
13	31-043	SWITCH PTO DPDT	1				
14	31-051	SWITCH ROCKER ON/OFF	1				

*** NOT ILLUSTRATED
>AVAILABLE FROM KUBOTA**

#	GA.	COLOR	WIRE HARNESS 4166599	DESTINATION
305	16	YELLOW	SPLICE	DASH CONTR (20) LITE
304	16	YELLOW	SPLICE	LIGHT SWITCH
302	16	YELLOW	SPLICE	HEAD LIGHT
301	16	YELLOW	SPLICE	TAIL LIGHT
300	16	YELLOW	SPLICE	TAIL LIGHT
206	10	RED	ALTERNATOR	BATT STARTER SOL
204	16	RED	IGN SWITCH (30)	SHUTOFF TIMER
203	14	RED	CIRCUIT BREAKER	ACCESSORY RELAY (30)
202	10	RED	CIRCUIT BREAKER	IGN SWITCH (30)
201	14	RED	STARTER RELAY	CIRCUIT BREAKER
200	10	RED	CIRCUIT BREAKER	BATT STARTER SOL
115	16	BLACK/WHITE	SOFT START	PTO CLUTCH
114	14	BLACK	SPLICE	ACCESSORY PLUG
113	16	BLACK	START RELAY (86)	ACCESSORY RELAY (85)
112	16	BLACK	SPLICE	BU ALARM SWITCH
111	16	BLACK	SPLICE	GLOW PLUG TIMER
110	16	BLACK	SPLICE	FUEL SENDER
109	16	BLACK	SPLICE	CLUTCH
108	16	BLACK	SPLICE	DELAY MODULE
107	16	BLACK	SPLICE	DASH CONTR(1) GRD
106	12	BLACK	SPLICE	GROUND
105	16	BLACK	SPLICE	PTO SWITCH
104	16	BLACK	SPLICE	SHUTOFF TIMER
103	16	BLACK	SPLICE	STARTER RELAY
102	16	BLACK	SPLICE	HEADLIGHT SWITCH
101	16	BLACK	SPLICE	HEADLIGHT
905	16	TAN / BLACK	WATER TEMP SENDER	DASH CONTR (4) TEMP
904	16	BROWN / WHITE	NEUTRAL SAFTEY SW	PTO SWITCH
903	16	BROWN / YELLOW	PTO SWITCH	DASH CONTR (12) PTO
902	16	BROWN	SAFTEY RELAY	DASH CONTR (13) PARK
901	16	BROWN	NEUTRAL SAFTEY SW	SAFTEY RELAY
900	16	BROWN	SAFTEY RELAY	DELAY MODULE
802	16	ORANGE	BU ALARM SWITCH	BACKUP ALARM
801	16	PINK	FUEL SENDER	DASH CONTR (3) FUEL
800	16	PURPLE	OIL PRESS SWITCH	DASH CONTR (11) OIL
702	16	BLUE/RED	SOFT START	PTO CLUTCH
701	16	LT. BLUE	ALTERNATOR	DASH CONTR (10) ALT
700	16	DK. BLUE	PTO SWITCH	SOFT START
604	16	GREY	SPLICE	DASH CONTR (5) TACH
603	16	GREY	SPLICE	SOFT START
602	16	GREY	ALTERNATOR	SPLICE
601	16	GREY / BLUE	PTO SWITCH	STARTER RELAY
600	16	GREY / GREEN	FUEL SHUTOFF	SHUTOFF TIMER
510	16	WHITE / RED	GLOW PLUG RELAY	DASH CONTR (14) GLOW

#	GA.	COLOR	WIRE HARNESS 4166599	DESTINATION
509	16	WHITE	SPLICE	SAFTEY RELAY(30)
508	16	WHITE	SPLICE	BU ALARM SWITCH
507	16	WHITE	SPLICE	FUEL PUMP
506	16	WHITE	SPLICE	ALTERNATOR
505	16	WHITE	SPLICE	DASH CONTR (2) 12V+
504	16	WHITE	SPLICE	PTO SWITCH
503	16	WHITE	SPLICE	LIGHT SWITCH
502	16	WHITE	ACCESSORY RELAY (87)	SPLICE
501	16	WHITE/BLK	SAFTEY RELAY (85)	ACCESSORY RELAY (86)
500	16	WHITE/BLK	IGN SWITCH (AC)	SAFETY RELAY (85)
410	16	DK. GRN / WHITE	IGN SWITCH (19)	GLOW PLUG TIMER
409	10	DK. GRN / WHITE	IGN SWITCH (19)	GLOW PLUGS
406	16	DK. GRN/YELLOW	SEAT SWITCH	DELAY MODULE
405	16	LT. GREEN	PARK NTRL SWITCH	IGN SWITCH (50)
404	14	LT. GREEN/BLK	ACCESSORY PLUG	SEAT SWITCH
403	16	LT. GREEN/BLK	ACCESSORY RELAY	ACCESSORY PLUG
402	16	DK. GREEN	PTO SWITCH	PARK NTRL SWITCH
401	16	DK. BLUE/YELLOW	SHUTOFF TIMER	SAFTEY RELAY
400	16	DK. BLUE/WHT	STARTER	STARTER RELAY
#	GA.	COLOR	4167344	DESTINATION
204	16	WHITE	SPLICE	HARNESS CONNECTOR
203	16	WHITE	BULB CONNECTOR	SPLICE
202	16	WHITE	BULB CONNECTOR	SPLICE
201	16	WHITE	BULB CONNECTOR	SPLICE
200	16	WHITE	BULB CONNECTOR	SPLICE
104	16	BLACK	SPLICE	HARNESS CONNECTOR
203	16	WHITE	BULB CONNECTOR	SPLICE
202	16	WHITE	BULB CONNECTOR	SPLICE
201	16	WHITE	BULB CONNECTOR	SPLICE
200	16	WHITE	BULB CONNECTOR	SPLICE

FIGURE 19

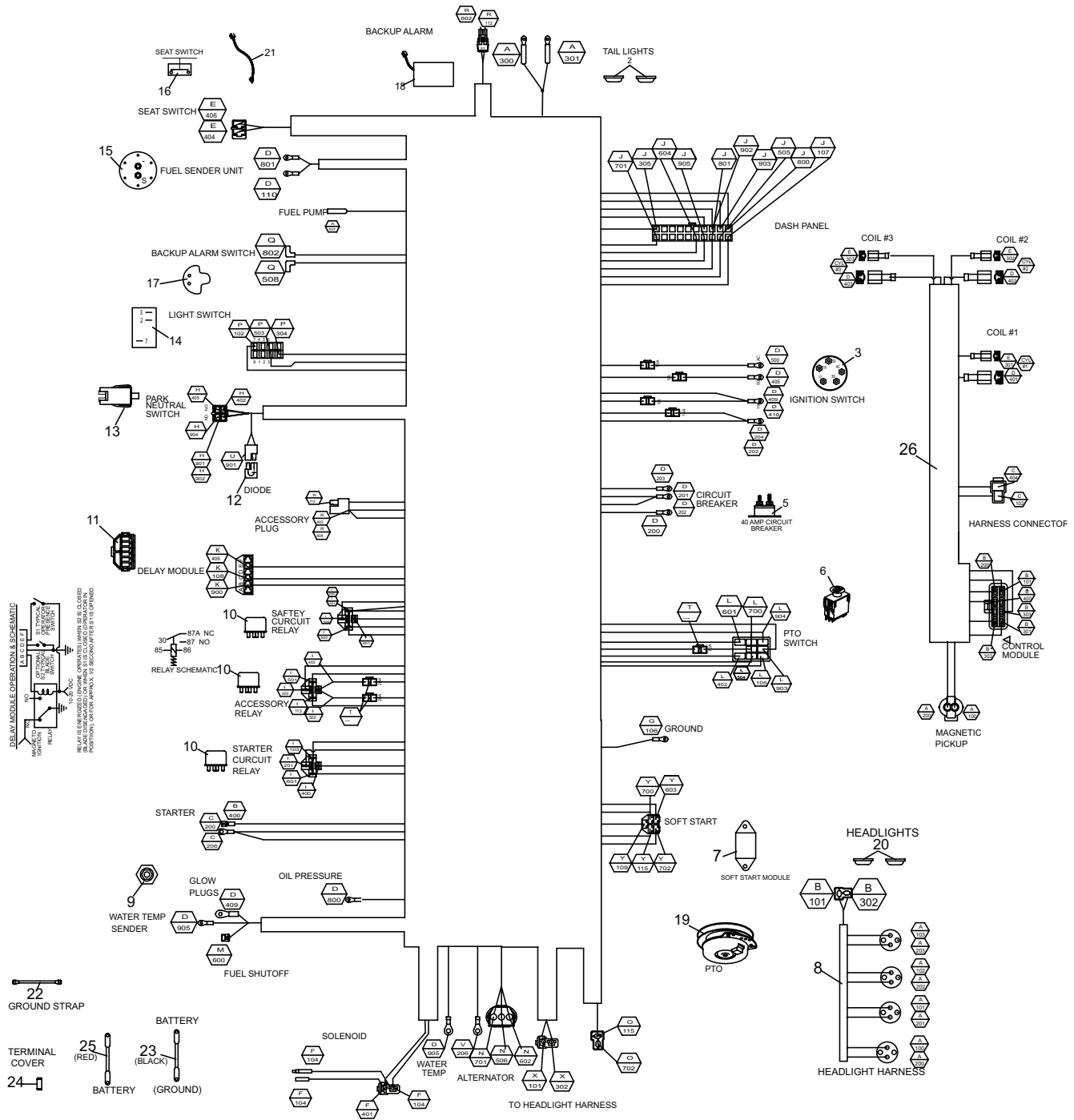


FIGURE 19

ITEM	PART NO.	DESCRIPTION	QTY	ITEM	PART NO.	DESCRIPTION	QTY
1	4166824	HARNESS-WIRE GAS	1	15	4166906	SENDER-FUEL LEVEL	1
2	33-034	TWO BULB TAIL LIGHT	2	16	158135-01	SWITCH SEAT - MILCO	1
3>	1E013-63590	SWITCH-IGNITION	1	17	806800	SWITCH-BACKUP ALARM	1
4>	RC101-53630	KEY-IGNITION	1	18	4166891	ALARM-BACKUP	1
5	48524	CIRCUIT BREAKER 40A	1	19	4167497	CLUTCH-ELEC 225	1
6	2721505	SWITCH-PTO	1	20	4167297	HEADLIGHT-GROMMET MTG	4
7	4165343	MODULE-SOFT START	1	21	4143068	PIGTAIL SEAT SWITCH	1
8	4167344	HARNESS-HEAD LIGHTS	4	22	30-291	STRAP BRAIDED GROUND	1
9	4166805	SENDER-WATER TEMP	1	23	30-090	CABLE-BATTERY/STARTER	1
10	2722325	RELAY	3	24	2308095	COVER-TERMINAL	2
11	2188154	MODULE-DELAY	1	25	4167293-2	CABLE-BATTERY POS	1
12	555846	DIODE	1	26	4167340	HARNESS-ENG KUB GAS	1
13	31-043	SWITCH PTO DPDT	1	27*	2720949	PIGTAIL-CLUTCH	1
14	31-051	SWITCH ROCKER ON/OFF	1				

*** NOT ILLUSTRATED
>AVAIJLABLE THROUGH KUBOTA**

#	GA.	COLOR	WIRE HARNESS 4166824	DESTINATION
305	16	YELLOW	SPLICE	DASH CONTR (20) LITE
304	16	YELLOW	SPLICE	LIGHT SWITCH
302	16	YELLOW	SPLICE	HEAD LIGHT
301	16	YELLOW	SPLICE	TAIL LIGHT
300	16	YELLOW	SPLICE	TAIL LIGHT
204	12	RED	ALTERNATOR	BATT STARTER SOL
203	14	RED	CURCUIT BREAKER	ACCESSORY RELAY (30)
202	10	RED	CIRCUIT BREAKER	IGN SWITCH (30)
201	14	RED	STARTER RELAY	CIRCUIT BREAKER
200	10	RED	CIRCUIT BREAKER	BATT STARTER SOL
115	16	BLACK/WHITE	SOFT START	PTO CLUTCH
114	14	BLACK	SPLICE	ACCESSORY PLUG
113	16	BLACK	START RELAY (86)	ACCESSORY RELAY (85)
112	16	BLACK	SPLICE	BU ALARM SWITCH
111	16	BLACK	IGN MODULE	CARB SOLENIOD
110	16	BLACK	SPLICE	FUEL SENDER
109	16	BLACK	SPLICE	SOFT START
108	16	BLACK	SPLICE	DELAY MODULE
107	16	BLACK	SPLICE	DASH CONTR(1) GRD
106	12	BLACK	SPLICE	GROUND
105	16	BLACK	SPLICE	PTO SWITCH
104	16	BLACK	SPLICE	IGN MODULE
103	16	BLACK	SPLICE	STARTER RELAY
102	16	BLACK	SPLICE	HEADLIGHT SWITCH
101	16	BLACK	SPLICE	HEADLIGHT
905	16	TAN / BLACK	WATER TEMP SENDER	DASH CONTR (4) TEMP
904	16	BROWN / WHITE	NEUTRAL SAFTEY SW	PTO SWITCH
903	16	BROWN / YELLOW	PTO SWITCH	DASH CONTR (12) PTO
902	16	BROWN	SAFTEY RELAY	DASH CONTR (13) PARK
901	16	BROWN	NEUTRAL SAFTEY SW	SAFTEY RELAY
900	16	BROWN	SAFTEY RELAY	DELAY MODULE
802	16	ORANGE	BU ALARM SWITCH	BACKUP ALARM
801	16	PINK	FUEL SENDER	DASH CONTR (3) FUEL
800	16	PURPLE	OIL PRESS SWITCH	DASH CONTR (11) OIL
702	16	BLUE/RED	SOFT START	PTO CLUTCH
701	16	LT. BLUE	ALTERNATOR	DASH CONTR (10) ALT
700	16	DK. BLUE	PTO SWITCH	SOFT START
604	16	GREY	SPLICE	DASH CONTR (5) TACH
603	16	GREY	SPLICE	SOFT START
602	16	GREY	ALTERNATOR	SPLICE
601	16	GREY / BLUE	PTO SWITCH	STARTER RELAY
600	16	GREY / GREEN	FUEL SHUTOFF	SHUTOFF TIMER
510	16	WHITE / RED	GLOW PLUG RELAY	DASH CONTR (14) GLOW

#	GA.	COLOR	WIRE HARNESS 4166824	DESTINATION
509	16	WHITE	SPLICE	SAFTEY RELAY(30)
508	16	WHITE	SPLICE	BU ALARM SWITCH
507	16	WHITE	SPLICE	FUEL PUMP
506	16	WHITE	SPLICE	ALTERNATOR
505	16	WHITE	SPLICE	DASH CONTR (2) 12V+
504	16	WHITE	SPLICE	PTO SWITCH
503	16	WHITE	SPLICE	LIGHT SWITCH
502	16	WHITE	ACCESSORY RELAY (87)	SPLICE
501	16	WHITE/BLK	SAFTEY RELAY (85)	ACCESSORY RELAY (86)
500	16	WHITE/BLK	IGN SWITCH (AC)	SAFETY RELAY (85)
406	16	DK. GRN/YELLOW	SEAT SWITCH	DELAY MODULE
405	16	LT. GREEN	PARK NTRL SWITCH	IGN SWITCH (50)
404	14	LT. GREEN/BLK	ACCESSORY PLUG	SEAT SWITCH
403	16	LT. GREEN/BLK	ACCESSORY RELAY	ACCESSORY PLUG
402	16	DK. GREEN	PTO SWITCH	PARK NTRL SWITCH
401	16	DK. BLUE/YELLOW	SAFTEY RELAY	IGN MODULE
400	16	DK. BLUE/WHT	STARTER	STARTER RELAY
#	GA.	COLOR	4167344	DESTINATION
204	16	WHITE	SPLICE	HARNESS CONNECTOR
203	16	WHITE	BULB CONNECTOR	SPLICE
202	16	WHITE	BULB CONNECTOR	SPLICE
201	16	WHITE	BULB CONNECTOR	SPLICE
200	16	WHITE	BULB CONNECTOR	SPLICE
104	16	BLACK	SPLICE	HARNESS CONNECTOR
203	16	WHITE	BULB CONNECTOR	SPLICE
202	16	WHITE	BULB CONNECTOR	SPLICE
201	16	WHITE	BULB CONNECTOR	SPLICE
200	16	WHITE	BULB CONNECTOR	SPLICE
#	GA.	COLOR	4167340	DESTINATION
404	16	RED	SPLICE	HARNESS CONNECTOR +
403	16	RED	SPLICE	COIL #3 +
402	16	RED	SPLICE	COIL #2 +
401	16	RED	SPLICE	COIL #1 +
400	16	RED	CONTROL MODULE	SPLICE
303	16	GREEN/BLACK	CONTROL MODULE	COIL #3 -
302	14	WHITE/BLACK	CONTROL MODULE	COIL #2 -
301	16	RED/BLACK	CONTROL MODULE	COIL #1 -
200	16	BLUE	MAGNETIC PICKUP	CONTROL MODULE
102	16	BLACK	SPLICE	HARNESS CONNECTOR
101	16	BLACK	SPLICE	CONTROL MODULE
100	16	BLACK	SPLICE	MAGNETIC PICKUP

SEAT ASSEMBLY

440

FIGURE 20

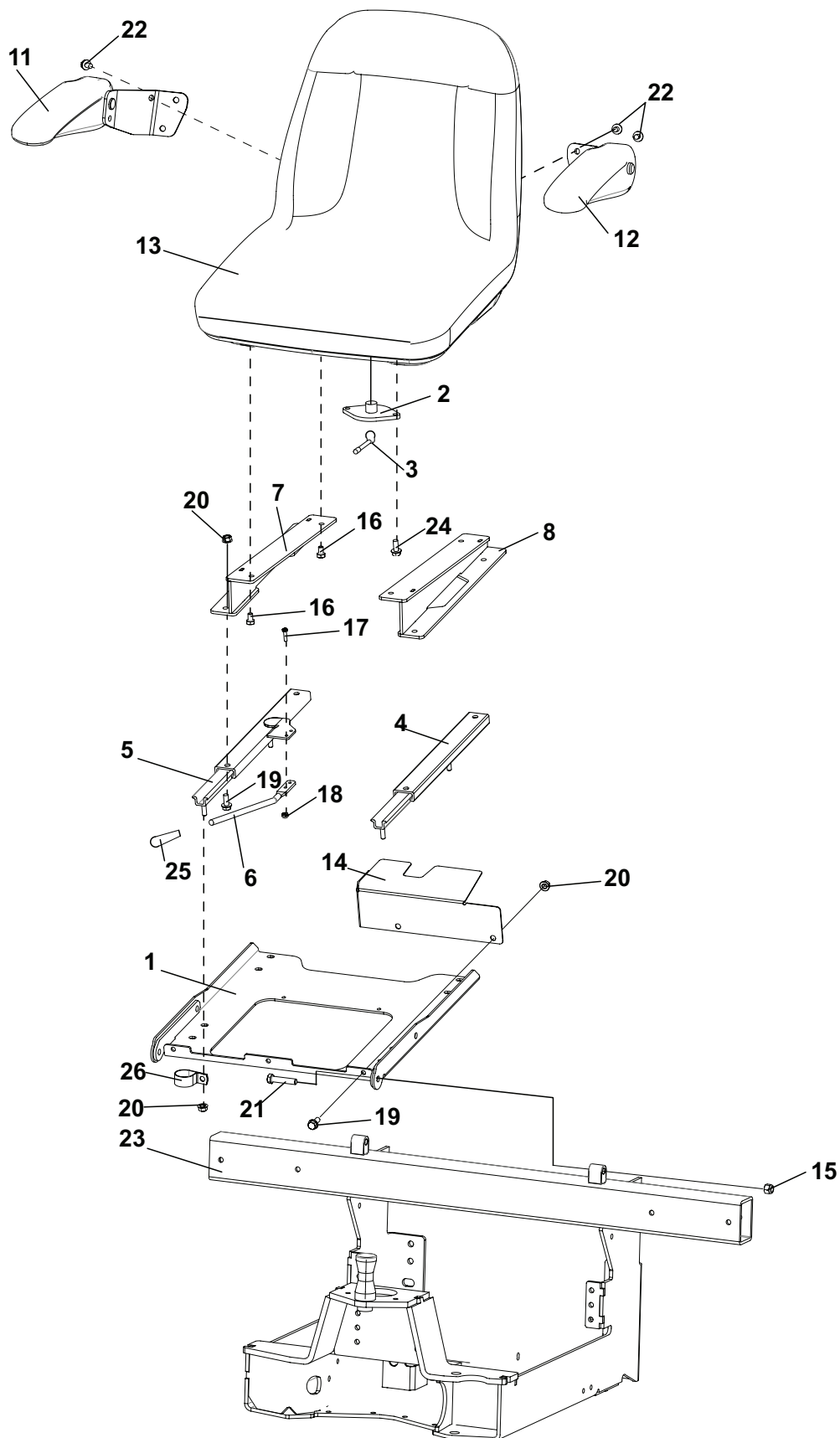


FIGURE 20

ITEM	PART NO.	DESCRIPTION	QTY	ITEM	PART NO.	DESCRIPTION	QTY
1	4167039.7	WELDMENT- SEAT PLATE	1				
2	158135-01	SWITCH SEAT - MILSCO	1				
3	4143068	PIGTAIL	1				
4	4167446	SLIDE RAIL-SLAVE, 7.00"	1				
5	4167447	SLIDE RAIL-ADJ, 7.00"	1				
6	4167438	ROD-SEAT SLIDE ADJUSTER	1				
7	4166569.7	WLDMT-BRKT,SEAT RH	1				
8	4166568.7	WLDMT-BRKT,SEAT LH	1				
9*	4116761	LABEL-MADE IN USA	1				
10*	4167312	DECAL-STEINER, 440 REAR	1				
11	198066	RH ARMREST	1				
12	198059	LH ARMREST	1				
13	4166575	SEAT-GRAY STEINER LOGO	1				
14	4166989.7	SHIELD-HEAT	1				
15	64151-18	NUT-HEX 3/8-16 CTR LCK	2				
16	99-23	BOLT 5/16-18 X 1/2 NC SHCS	4				
17	64152-49	SCREW-SLT HH 10-24X3/4	2				
18	64229-10	NUT-NYLON 10-24	2				
19	64139-08	BLT-WLF 5/16-18X3/4	6				
20	64141-6	NUT-WLF 5/16-18	10				
21	64123-87	BLT-HEX 3/8-16 X 1-3/4	2				
22	64139-13	BLT-WLF 5/16-18 X 1/2	6				
23	4169865.7	WLDMT-MID FRAME	1				
24	99-C0404	BOLT SELF TAP 1/4-20 X 1/2	2				
25	4167637	CAP-VINYL TIP, BLACK	1				
26	48228-1A	CLIP-CABLE INSULATED	1				

***NOT ILLUSTRATED**

FIGURE 21

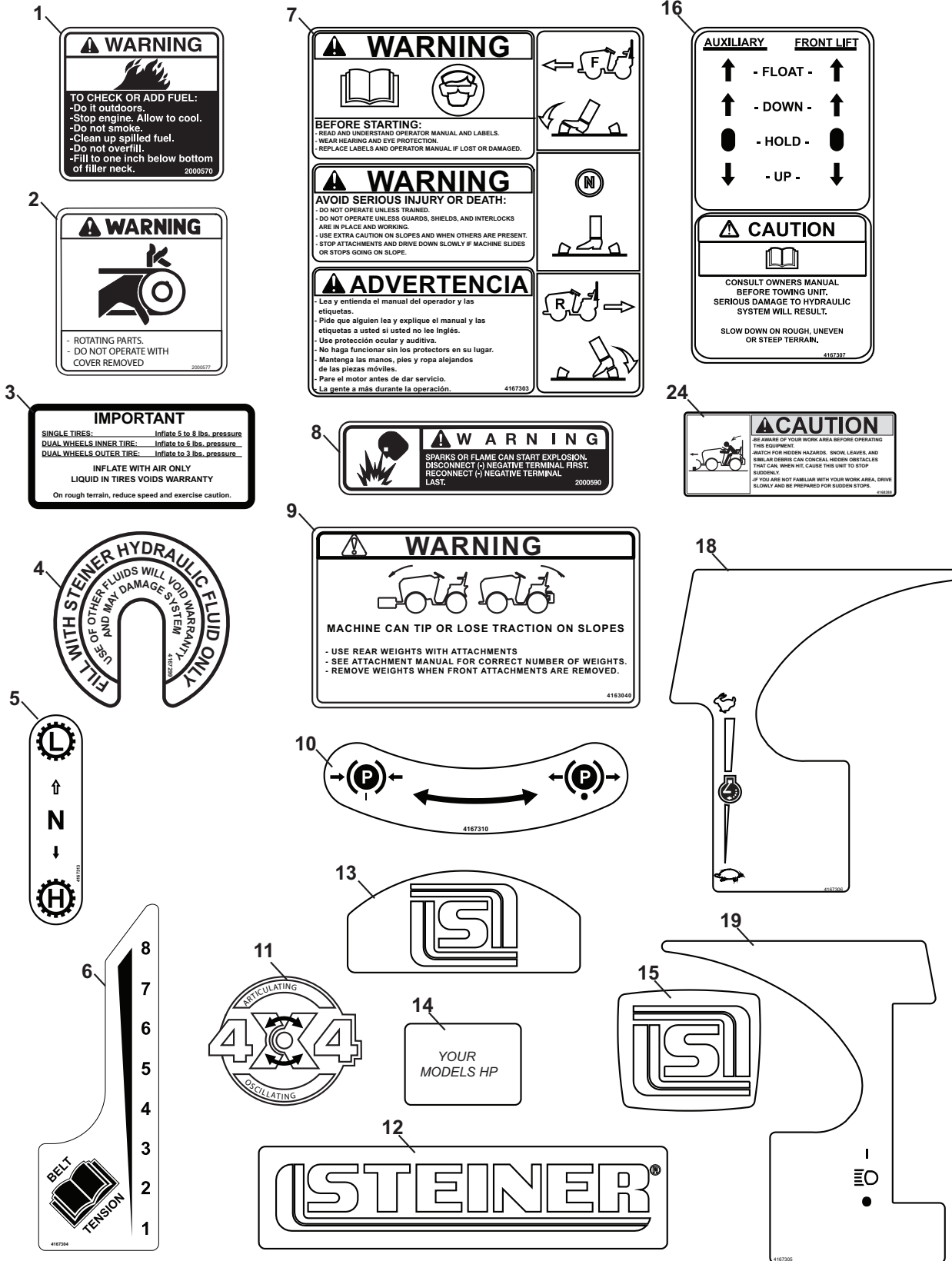
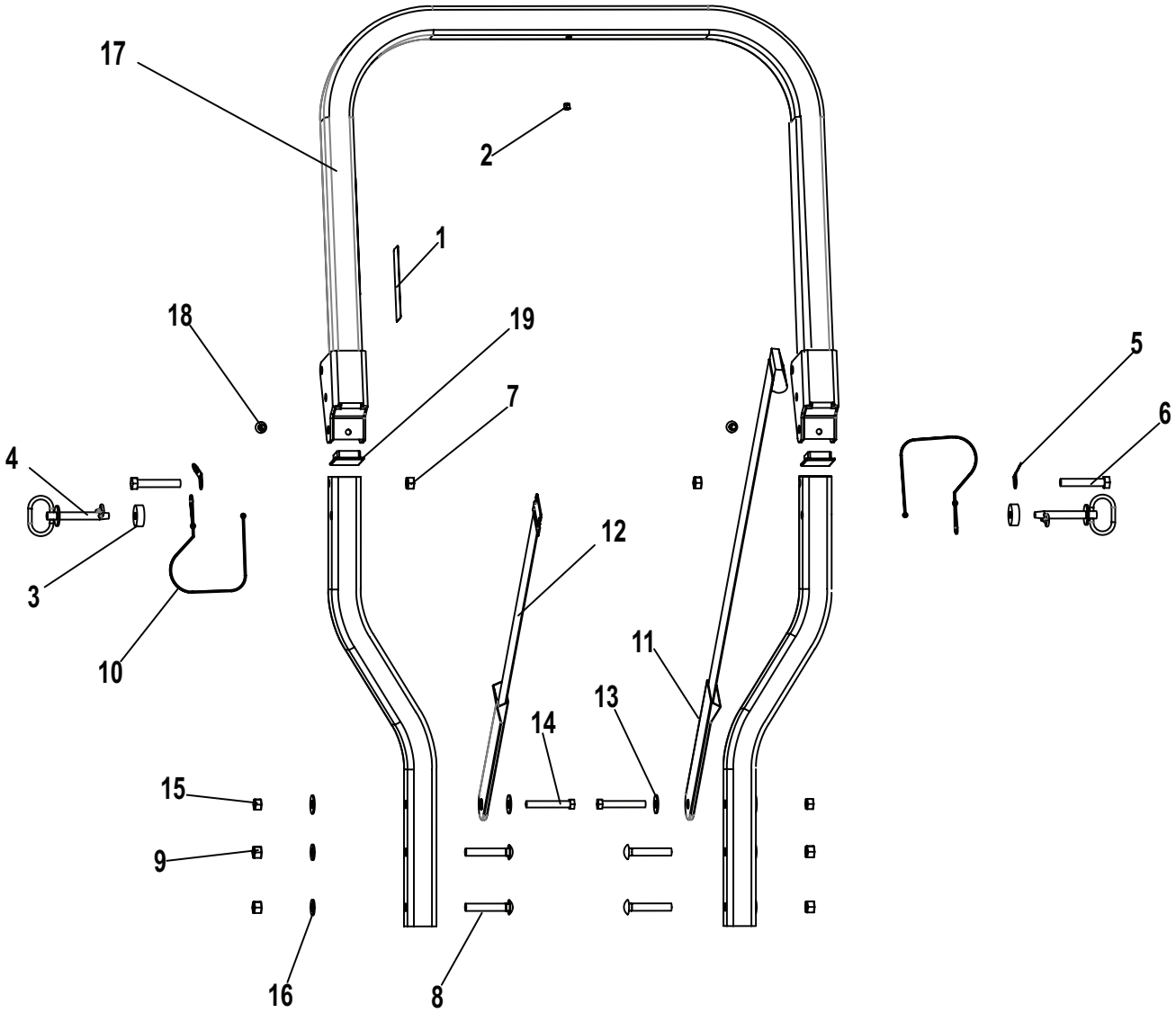


FIGURE 21

ITEM	PART NO.	DESCRIPTION	QTY	ITEM	PART NO.	DESCRIPTION	QTY
1	2000570	LABEL-WARN FUEL PICT.	1				
2	2000577	LABEL WARNING	2				
3	4167314	DECAL-TIRE PRESSURE	1				
4	4167299	DECAL-FLUID FILL, STEINER	1				
5	4167313	DECAL-H/L SHIFTER, 440	1				
6	4167304	DECAL-BELT TENSION, 440	1				
7	4167303	DECAL-WARN/INSTR	1				
8	2000590	LABEL WARN BATTERY	1				
9	4163040	LABEL-WEIGHT WARNING	1				
10	4167310	DECAL-PARKING BRAKE	1				
11	4167282	DECAL- 4X4, STEINER 440	1				
12	4167312	DECAL-STEINER, 440 REAR	1				
13	4167311	DECAL-STEINER, FRNT	1				
14	4167300	DECAL-"25", STEINER 440	1				
	4167301	DECAL-"32", STEINER 440					
15	4167336	DECAL-STEERING WHEEL	1				
16	4167307	DECAL-CAU/AUX,	1				
17*	4116761	LABEL-MADE IN USA	1				
18	4167306	DECAL-DASH,STEINER LH	1				
19	4167305	DECAL-DASH,STEINER RH	1				
20*	4167274	DECAL-STEINER 440, RH	1				
21*	4167275	DECAL-STEINER 440, LH	1				
22*	4167280	DECAL- DIESEL 440, RH	1				
23*	4167281	DECAL- DIESEL 440, LH	1				
24	4168388	DECAL-SUDDEN STOP	1				
25*	4169490	DECAL-PATENT	1				

***NOT ILLUSTRATED**

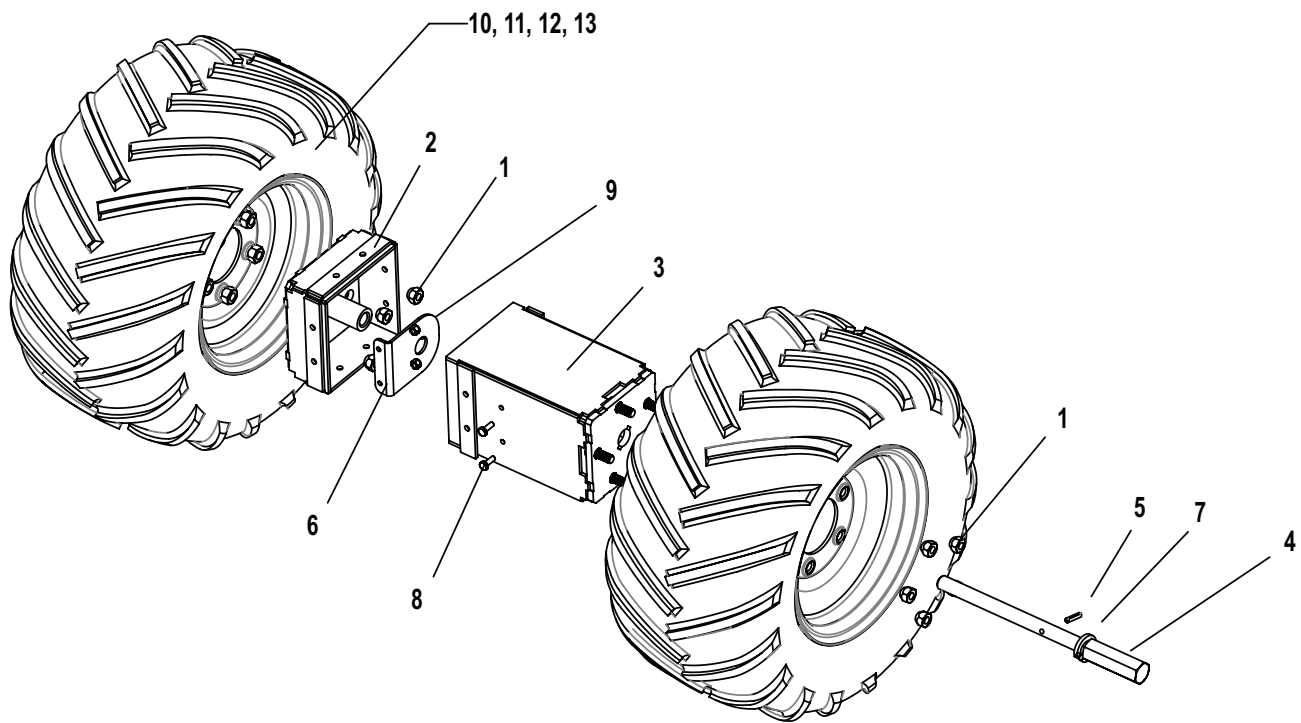
FIGURE 22



ITEM	PART NO.	DESCRIPTION	QTY	ITEM	PART NO.	DESCRIPTION	QTY
1	4160347	DECAL-FOLDING ROPS	1				
2	4167350-01	PLUG-3/8	2				
3	4162878	WASHER--.500 EPDM	2				
4	4162879	PIN-HITCH 1/2 X 2-3/4	2				
5	4160348	WSHR-FORMED RETAINER	2				
6	64123-31	BLT-HEX 1/2-13 X 3	2				
7	64151-7	NUT-CL 1/2-14	2				
8	64018-11	BLT-CRG 1/2 -13 x 3	4				
9	64229-05	NUT-1/2-13 NYLOCK	4				
10	4162880	LANYARD-NYLON 10"	2				
11	4167350-03	SEATBELT- BUCKLE SIDE	1				
12	4167350-03	SEATBELT-LATCH SIDE	1				
13	64163-19	WSHR- 7/16 FLAT	4				
14	64123-300	BLT-HEX 7/16-14 X 3	2				
15	64229-04	NUT-NYLOCK 7/16-14	2				
16	64163-54	WSHR-1/2 FLAT	4				
17	4167350.7	ASSY-ROPS BARS	1				
18	4160343	BUMPER-RUBBER W/ FLANGE	2				
19	4167350-02	PLUG-2" SQUARE	2				

***NOT ILLUSTRATED**

FIGURE 23



ITEM	PART NO.	DESCRIPTION	QTY	ITEM	PART NO.	DESCRIPTION	QTY
75-71200 DW200-DUAL WHEELS, 440 FLD TRX							
(INCLUDES ITEM 1-9 , & 12)							
75-71201 DW201-DUAL WHEELS, 440 BAR TRD							
(INCLUDES ITEM 1-9 , 10 & 11)							
75-71202 DW202-DUAL WHEELS, 440 TURF							
(INCLUDES ITEM 1-9 , & 13)							
1	64187-02	S-NUT-WHEEL 7/16-20	40				
2	4166975.7	WLDMT-BASE, DUAL WHEEL	4				
3	4166956.7	WLDMT-EXTNSN, DUAL WHEEL	4				
4	4167376	ROD-DRAW, DUAL WHEEL	4				
5	64061-39	ROLLPIN-1/4 X 1-1/8	4				
6	4167375.7	PLT-GUIDE, DUAL WHEEL	4				
7	64006-20	LOCKWASHER-HELICAL, 7/8 I.D.	4				
8	64123-89	BLT-HEX 1/4-20X3/4	8				
9	64229-01	NUT-NYLON LOCK 1/4-20	8				
10	4167166	WHEEL ASSY-CHEV 22X11.0-10 LH	2				
	4167166-01	TIRE-22X11-10 OTR CHEVER					
	4167166-02	RIM-10X8.5 5BLT WHT					
11	4167167	WHEEL ASSY-CHEV 21X11.0-10 RH	2				
	4167166-01	TIRE-22X11-10 OTR CHEVER					
	4167166-02	RIM-10X8.5 5BLT WHT					
12	4167168	WHEEL ASSY-FIELD TRX22X12.0-10	4				
	4167168-01	TIRE-FIELD TRAX 22X12-10					
	4167166-02	RIM-10X8.5 5BLT WHT					
13	4167391	ASSY-WHEEL TURF 22 X 11.0-10	4				
	4167391-01	TIRE-TURF 22X11-10					
	4167166-02	RIM-10X8.5 5BLT WHT					

***NOT ILLUSTRATED**

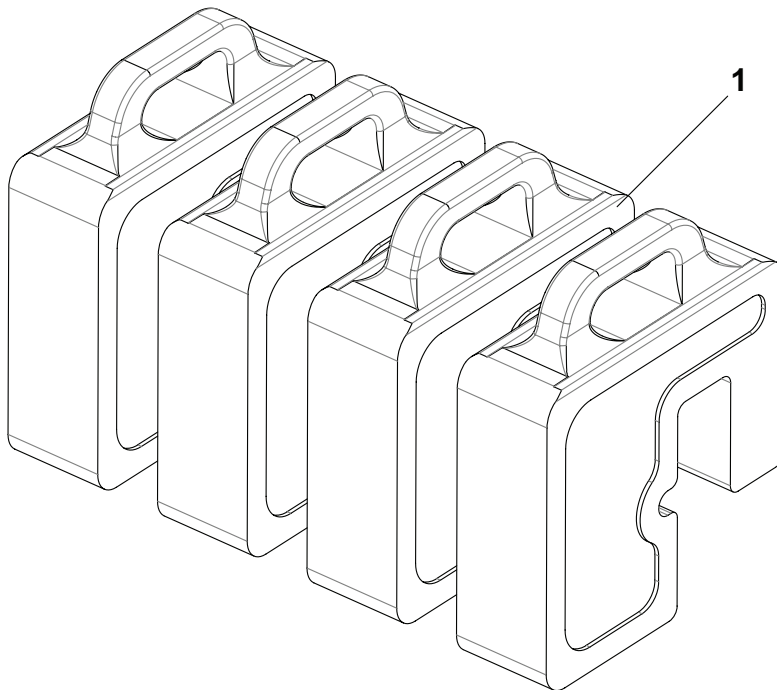
(75-71204) WB201 WEIGHT KIT

440

FIGURE 24

ITEM	PART NO.	DESCRIPTION	QTY	ITEM	PART NO.	DESCRIPTION	QTY
1	62-540	50# TRACTOR BALLAST WEIGHT	4				

***NOT ILLUSTRATED**



(75-71206) WS200-3" WHEEL SPACER KIT

440

FIGURE 25

ITEM	PART NO.	DESCRIPTION	QTY	ITEM	PART NO.	DESCRIPTION	QTY
1	4167424.7	WLDMT-3IN WHEEL EXT	4				
2	64187-02	NUT-WHEEL 7/16-20	20				

***NOT ILLUSTRATED**

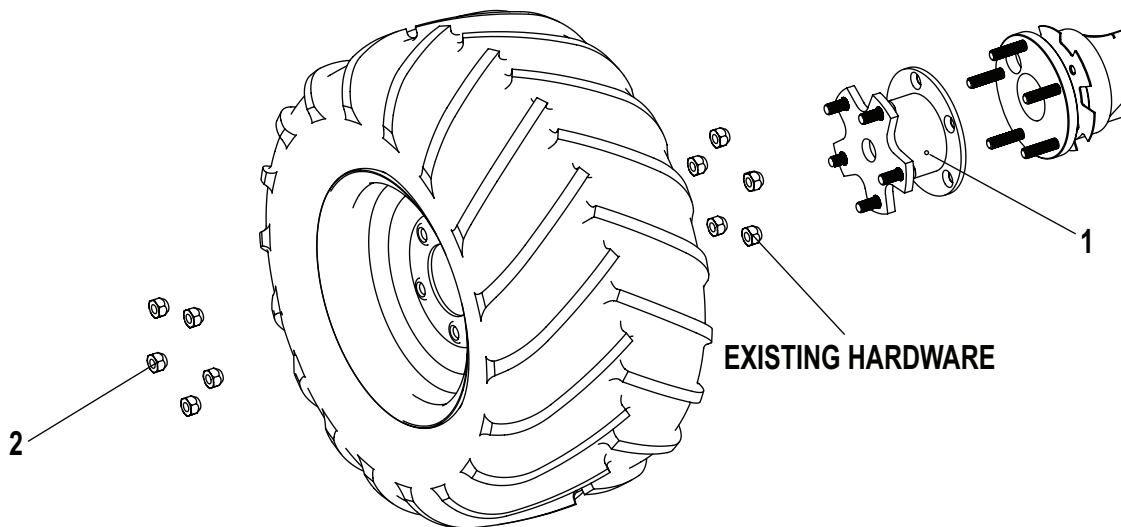


FIGURE 26

STEINER BELT CHART	
MODEL	440 "B"
Tractor PTO Belt	4166636 5LX44
MD, MX. Rotary mowers	81-B041
MC444 Tree Farm Mower	
RC466 Rough Cut Mower	81-B041
80" Flex-Deck	4170368
New rough mower	4169475
PB100 Power Blower	81-B041
PB200 Power Blower	81-B041
RS350 Rotary Sweeper	81-B041
RS454 Rotary Sweeper	81-B046
SB448 Snowblower	105803 or 4165834
SB454 Snowblower	105803 or 4165834
SC101 Stump Cutter	81-B044
TH300 Trencher	81-B050
TL348 Tiller	81-B041
VA242 Vertical Auger	N/A

SCHILLER GROUNDS CARE, INC.
ONE BOB-CAT LANE
P.O. BOX 469
JOHNSON CREEK, WI 53038
920-699-2000
www.schillergc.com



©Schiller Grounds Care, Inc. 2010



75-72010
440 24.8HP KUBOTA DIESEL

75-72011
440 32.5HP KUBOTA GAS

MAN 4167141
Rev. A 2-20122

PARTS MANUAL 4167140



OPERATOR'S MANUAL

CALIFORNIA

Proposition 65 Warning

Diesel engine exhaust and some of its constituents are known to the State of California to cause cancer, birth defects and other reproductive harm.

⚠ WARNING

The engine exhaust from this product contains chemicals known to the State of California to cause cancer, birth defects or other reproductive harm.

Californie Proposition 65 Avertissement

Les échappements des moteurs diesel et certains de leurs composés sont reconnus par l'Etat de Californie pour être cancérigènes, provoquer des défauts congénitaux et d'autres dangers en matière de reproduction.

⚠ AVERTISSEMENT

L'émission du moteur de ce matériel contient des produits chimiques que l'Etat de Californie considère être cancérigènes, provoquer des défauts congénitaux et d'autres dangers en matière de reproduction.

**California Advertencia
de la Proposición 65**

El estado de California hace saber que los gases de escape de los motores diesel y algunos de sus componentes producen cáncer, defectos de nacimiento y otros daños en el proceso de reproducción humana.

⚠ ADVERTENCIA

El estado de California hace saber que los gases de escape de este producto contienen productos químicos que producen cáncer, defectos de nacimiento y otros daños en el proceso de reproducción humana.

CALIFORNIA

Proposition 65 Warning

Battery posts, terminals, wiring insulation, and related accessories contain lead and lead compounds, chemicals known to the State of California to cause cancer and birth defects or other reproductive harm.

WASH HANDS AFTER HANDLING.

IMPORTANT MESSAGE

Thank you for purchasing this Schiller Grounds Care, Inc. product. You have purchased a world class product, one of the best designed and built anywhere.

This machine comes with an Owner / Operator's Manual and a separate Illustrated Parts Manual. The useful life and good service you receive from this machine depends to a large extent on how well you read and understand these manuals. Treat your machine properly, lubricate and adjust it as instructed, and it will give you many years of reliable service.

Your safe use of this Schiller Grounds Care, Inc. product is one of our prime design objectives. Many safety features are built in, but we also rely on your good sense and care to achieve accident-free operation. For best protection, study the manuals thoroughly. Learn the proper operation of all controls. Observe all safety precautions. Follow all instructions and warnings completely. Do not remove or defeat any safety features. Make sure those who operate this machine are as well informed and careful in its use as you are.

See a Schiller Grounds Care, Inc. dealer for any service or parts needed. Schiller Grounds Care, Inc. service ensures that you continue to receive the best results possible from Schiller Grounds Care, Inc. products. You can trust Schiller Grounds Care, Inc. replacement parts because they are manufactured with the same high precision and quality as the original parts.

Schiller Grounds Care, Inc. designs and builds its equipment to serve many years in a safe and productive manner. For longest life, use this machine only as directed in the manuals, keep it in good repair and follow safety warnings and instructions. You'll always be glad you did.

**Schiller Grounds Care, Inc.
One Bob Cat Lane
Johnson Creek, WI 53038-0469**

TABLE OF CONTENTS	PAGE
SAFETY.....	2-7
LABELS.....	8
ASSEMBLY / SPECIFICATIONS.....	9
CONTROLS.....	10-12
OPERATION.....	13-16
SERVICE CHARTS	17, 18
MAINTENANCE	19-23
ADJUSTMENTS.....	24, 25
TROUBLESHOOTING	26
BELT CHART.....	27

NOTICE !!!

Unauthorized modifications may present **extreme** safety hazards to operators and bystanders and could also result in product damage.

Schiller Grounds Care, Inc., strongly warns against, rejects and disclaims any modifications, add-on accessories or product alterations that are not designed, developed, tested and approved by Schiller Grounds Care, Inc. Engineering Department. Any Schiller Grounds Care, Inc. product that is altered, modified or changed in any manner not specifically authorized after original manufacture—including the addition of “aftermarket” accessories or component parts not specifically approved by Schiller Grounds Care, Inc.—will result in the Schiller Grounds Care, Inc. Warranty being voided.

Any and all liability for personal injury and/or property damage caused by any unauthorized modifications, add-on accessories or products not approved by Schiller Grounds Care, Inc. will be considered the responsibility of the individual(s) or company designing and/or making such changes. Schiller Grounds Care, Inc. will vigorously pursue full indemnification and costs from any party responsible for such unauthorized post-manufacture modifications and/or accessories should personal injury and/or property damage result.



This symbol means:
**ATTENTION!
BECOME ALERT!**

Your safety and the safety of others is involved.

Signal word definitions:

The signal words below are used to identify levels of hazard seriousness. These words appear in this manual and on the safety labels attached to Schiller Grounds Care, Inc. machines. For your safety and the safety of others, read and follow the information given with these signal words and/or the symbol shown above.

⚠ DANGER

DANGER indicates an imminently hazardous situation which, if not avoided, **WILL** result in death or serious injury.

⚠ WARNING

WARNING indicates a potentially hazardous situation which, if not avoided, **COULD** result in death or serious injury.

⚠ CAUTION

CAUTION indicates a potentially hazardous situation which, if not avoided, **MAY** result in minor or moderate injury. It may also be used to alert against unsafe practices or property damage.

CAUTION

CAUTION used without the safety alert symbol indicates a potentially hazardous situation which, if not avoided, **MAY** result in property damage

Schiller Grounds Care, Inc.

One Bobcat Lane
Johnson Creek, WI 53038 U.S.A
Phone: 920-699-2000
Fax: 920-699-3683

MODEL NUMBER

SERIAL NUMBER

MODEL NUMBER: This number appears on sales literature, technical manuals and price lists.

SERIAL NUMBER: This number appears only on your tractor. It contains the model number followed consecutively by the serial number. Use this number when ordering parts or seeking warranty information.

Operator preparation and training

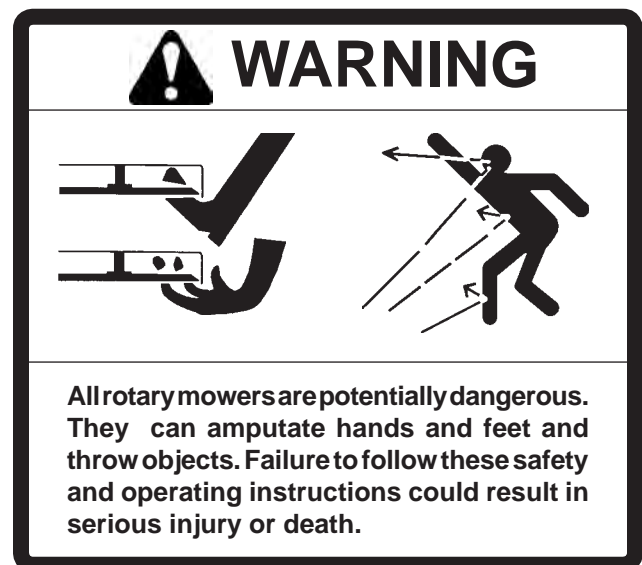
Read the Operation & Safety Manual

- If an operator or mechanic cannot read English or one of the other languages in which this manual is supplied, it is the owner's responsibility to explain this material to them. If any portion of this material is unclear, contact your factory representative for clarification.
- In addition to this manual, read the manual(s) for any attachments to be used, for specific information about the attachment.
- Become familiar with the safe operation of the equipment, operator controls and safety signs. Do not operate or allow another person to operate this machine if there are any questions about safety.
- All operators and mechanics should be trained. The owner is responsible for training the users.
- Wear appropriate clothing, including long trousers and safety goggles or safety glasses with side shields when operating machine. Do not operate barefoot or wearing open sandals. Long hair, loose clothing or jewelry may get tangled in moving parts.
- Wear hearing protection.
- Never allow underage children, unskilled or improperly trained people to operate this equipment. Local regulations can restrict the age of the operator.
- Do not carry passengers, especially small children. They may fall off and be seriously injured.
- Keep warning labels and this operator's manual legible and intact. Replacement labels and manuals are available from the factory.
- Do not operate machine while under the influence of drugs or alcohol.
- The owner/user can prevent and is responsible for accidents or injuries occurring to themselves, other people or property.



Site preparation and circumstances

- Evaluate the terrain to determine what accessories and attachments are needed to properly and safely perform the job. Only use accessories and attachments approved by the manufacturer.
- Clear the area where the equipment is to be used of objects such as rocks, toys, wire or other debris that may be picked up or thrown by the machine.
- Be sure the area is clear of pets and people, especially young children. Never assume they will remain where you last saw them. Stop the machine if any enter the area.
- Operate only in daylight or in good artificial light.
- Turf conditions can affect the stability of the machine.



Machine preparation

- Check operator present interlock system and brake operation. Adjust or repair any problems before using.
- Do not tamper with or defeat safety devices. Keep guards, shields and interlock safety devices in place and in proper working condition. They are for your protection.
- Keep all fasteners such as nuts, bolts and pins well secured.
- Verify that machine and attachments, if any, are in good operating condition.

OPERATING SAFETY

In general

- Use extra care when loading or unloading the machine into a trailer or truck.
- Operate all controls from the operator's seat.
- Watch out for traffic when near or crossing roadways.
- Do not run the engine in an enclosed area where dangerous carbon monoxide fumes can collect.
- Do not place your foot on the ground while operating the machine.
- Before mowing, lower the discharge chute.
- Keep clear of the discharge opening at all times. Never direct the discharge toward a bystander. Stop operation if someone approaches.
- Use care when pulling loads or using heavy equipment.
 - Use only approved drawbar hitch points.
 - Limit loads to those you can safely control.
 - Do not turn sharply. Use care when reversing.
 - Use counterweight(s) when suggested in the attachment manual.
- Never leave a machine unattended. Always turn off the PTO, set parking brake, stop engine and remove keys before dismounting.

Starting

- Start only according to instructions in this manual or on the machine.
- Before attempting to start the engine, make sure:
 - the parking brake is on;
 - the PTO is disengaged;
 - the F-R foot pedal is in NEUTRAL.
- When starting the engine, sit on seat and make sure hands and feet are clear of attachments.
- Do not start the machine while someone is standing in front of the discharge chute or with the chute directed at someone.
- Do not engage PTO at full throttle. Throttle to idle or lowest possible engine speed.
- Do not change engine governor settings or overspeed the engine. Operating the engine at excessive speed can increase the hazard of personal injury.

Interrupting operation

- Before leaving the operator's position:

- Park on level ground.
- Lower attachments.
- Disengage the PTO.
- Set the parking brake.
- Shut off the engine and remove the key.
- Disengage the PTO and wait until the mower blades quit rotating or the attachment stops:
 - before raising cutterdeck;
 - when not mowing;
 - for transport;
 - when crossing surfaces other than grass.
- Stop the engine, disengage the PTO and wait until the blades quit rotating:
 - before refueling;
 - before making height adjustment unless the adjustment can be made from the operator's position.
- Stop the engine, disengage the PTO and disconnect the spark plug wire(s) or remove the key:
 - before clearing blockages or unclogging chute;
 - before checking, cleaning or working on the machine;
 - after striking a foreign object. Inspect the machine for damage and make repairs before restarting.
 - if the machine begins to vibrate abnormally: Inspect and make repairs as needed before restarting;
 - except for repairs or adjustments as specifically noted, such as for carburetor adjustment, where the engine must be running. Keep hands and feet clear of moving parts in these circumstances.
- Allow the blades to come to a complete stop when stopping operation to clear blockages, unclog, inspect the machine, do maintenance or repair.
- Follow the procedure for engine shutdown and, if the engine is provided with a shut-off valve, turn the fuel off at the conclusion of operation.

MANEUVERING SAFETY

In general

- Slow down before turning.
- Always look behind and down for a clear path before and during backing.
- Be aware when approaching blind corners, shrubs, trees, tall grass or other objects that may obscure vision.
- If tires lose traction, disengage the PTO. If on a slope, head down.

Operating on slopes

- Slopes are a major factor in loss-of-control and tip over accidents that sometimes lead to severe injury or death.
- All slopes require extra caution.
- The operator must be experienced with the Schiller Grounds Care, Inc. tractor and its unique operational responses.
- If the operator is uncomfortable or unsure of the machine's stability, they should cease operation on the slope immediately.
- Ultimate responsibility for safe operation on slopes rests with the operator.
- With ride-on machines, mow up and down slopes, not across.
- With walk-behind machines, mow across slopes, not up and down.
- On uneven, loose or wet ground, the angles should be reduced. Only smooth maneuvers (not erratic) should be made to help maintain stability.
- Machine stability is affected by articulation. When turning the effective width of an articulated machine narrows. Avoid uphill turns.
- Maintain engine RPM and control ground speed with the Forward - Reverse control lever.
- Do not operate on excessively steep slopes.
- Avoid starting or stopping on a slope. If tires lose traction, disengage the PTO and proceed slowly straight down the slope.
- Keep all movement on the slopes slow and gradual. Do not make sudden changes in speed or direction.
- Do not turn on slopes unless necessary, and then turn slowly and downhill when possible.
- Stay away from slopes if the ground is loose or if caught in the rain during operation.

- Use lower speeds on a slope to avoid stopping or shifting.
- Use extra care with attachments. These can change the stability of the machine.
- Avoid driving over ruts, holes, rocks and roots whenever possible. Be alert to dips and rises. Uneven terrain can overturn a machine or cause it to slide.
- Use caution when operating near drop-offs, ditches or embankments. The machine could suddenly turn over if a wheel runs over the edge or an edge caves in.
- Follow the manufacturer's recommendations for wheel weights or counterweights to improve stability. See attachment manual.

Rollover Protection Structure (ROPS)

WARNING

- A Rollover Protection Structure (ROPS) for this tractor is standard. Seat belts must be worn whenever a ROPS is installed on the tractor. Always keep seat belt snugly adjusted. **DO NOT** use seat belts on a tractor without a ROPS.
- If a ROPS is installed and the tractor is overturning, hold onto the steering wheel. Do not attempt to jump out or leave the seat.

MAINTENANCE SAFETY

In general

- Maintain machine according to manufacturer's schedule and instructions for maximum safety and best mowing results.
- Park machine on level ground.
- Never allow untrained personnel to service machine.
- Adjust or repair only after the engine has been stopped and the blades have quit rotating.
- Replace parts if worn, damaged or faulty. For best results, always replace with parts recommended by the manufacturer.
- Disconnect battery or remove spark plug wire(s) before making any repairs. Disconnect the negative terminal first and the positive last. Reconnect positive first and negative last.
- Do not dismantle the machine without releasing or restraining forces which may cause parts to move suddenly.
- Provide adequate support for lifted machine or parts if working beneath.
- Do not put hands or feet near or under rotating parts.
- Clean up oil or fuel spillage thoroughly.
- Replace faulty mufflers.
- To reduce fire hazards, keep the engine, muffler, battery compartment and fuel storage area free of grass, leaves, debris buildup or grease.

Fuel

- Gasoline and diesel fuels are flammable; gasoline vapors are explosive. Use extra care when handling.
- Store only in containers specifically designed for fuel.
- When refueling or checking fuel level:
 - DO NOT USE E15 fuel. (Use up to E10). Refer to engine manufacturer's recommendations in engine manual.
 - Stop the engine and allow to cool;
 - Do not smoke;
 - Refuel outdoors only;
 - Use a funnel;
 - Do not overfill;
 - If fuel is spilled, do not attempt to start the engine until the spill is cleaned up and vapors have cleared.



- Do not fill containers in a vehicle or on a truck or trailer bed with a plastic liner. Fill containers on the ground away from the vehicle.
- When practical, remove gas powered equipment from the truck or trailer and refuel it on the ground. If equipment must be refueled on the truck or trailer, refuel from a portable container rather than a dispenser nozzle.
- Keep the dispenser nozzle in contact with the rim of the fuel tank or container opening until fueling is complete. Do not use a nozzle lock-open device
- Replace caps on fuel cans and tanks securely.

Sparks from static electricity can start fires or cause explosions. Flowing fuel can generate static electricity. To prevent static electricity sparks:

- Do not fill containers in a vehicle or on a truck or trailer bed with a plastic liner. Fill containers on the ground away from the vehicle.
- When practical, remove gas powered equipment from the truck or trailer and refuel it on the ground. If equipment must be refueled on the truck or trailer, refuel from a portable container rather than a dispenser nozzle.
- Keep the dispenser nozzle in contact with the rim of the fuel tank or container opening until fueling is complete. Do not use a nozzle lock-open device
- Replace caps on fuel cans and tanks securely.

Hydraulic system

The machine's hydraulic system operates under high pressure.

- When checking for leaks, do not use your hands to attempt to find a leak. Instead, use cardboard or paper.
- Escaping hydraulic fluid can be under sufficient pressure to penetrate skin and cause serious injury.
- If hydraulic fluid is injected into the skin, it must be promptly removed by a doctor familiar with this form of injury or gangrene may result.
- Check that all hydraulic fluid connections are tight and all hydraulic hoses and lines are in good condition before applying pressure to the system.



Battery

Battery acid is caustic and fumes are explosive and can cause serious injury or death.

To reduce the risk of personal injury when working near a battery:

- When working with battery acid, use protective equipment such as, but not limited to, goggles, face shield, rubber gloves and apron.
- Avoid leaning over a battery.
- Do not expose a battery to open flames or sparks.
- Be sure batteries with filler caps are properly filled with fluid.
- Do not allow battery acid to contact eyes or skin. Flush any contacted area with water immediately and get medical help.
- Charge batteries in an open, well ventilated area, away from sparks and flames. Unplug charger before connecting or disconnecting from battery.



STORAGE SAFETY

- Stop the engine and allow to cool before storing.
- Drain the fuel tank outdoors only.
- Store fuel in an approved container in a cool, dry place.
- Keep the machine and fuel containers in a locked storage place to prevent tampering and to keep children from playing with them.
- When the machine is to be parked, stored or left unattended, close the fuel valve.
- Do not store the machine or fuel container near heating appliances with an open flame such as a water heater or an appliance with a pilot light.
- Keep gasoline storage area free of grass, leaves and excessive grease to reduce fire hazard.

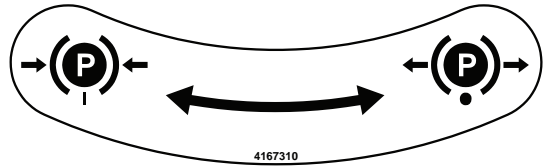
JUMP STARTING

1. Be sure the jumper cables are in good condition. Turn off the ignition and all electrical accessories on both machines.
2. Position the machine with a good (charged) battery next to but not touching the machine with the dead battery so jumper cables will reach.
3. When making cable connections:
 - make sure the clamps do not touch anywhere except to intended metal parts,
 - Never connect a positive ("+" or red) terminal to a negative ("-" or black) terminal.
 - Make sure the cables won't get caught in any parts after the engines are started.
4. Connect one end of the first jumper cable to the **positive** terminal on one battery. Connect the other end to the **positive** terminal on the other battery.
5. Connect one end of the other cable to the **negative** terminal of the machine with a good (charged) battery. Make the final connection on the engine of the machine to be started, away from the battery.
6. Start the vehicle with the good battery, then the machine with the discharged battery.
7. Remove the cables in the exact reverse order of installation. When removing each clamp, take care it does not touch any other metal parts while the other end remains attached.

STEINER 440

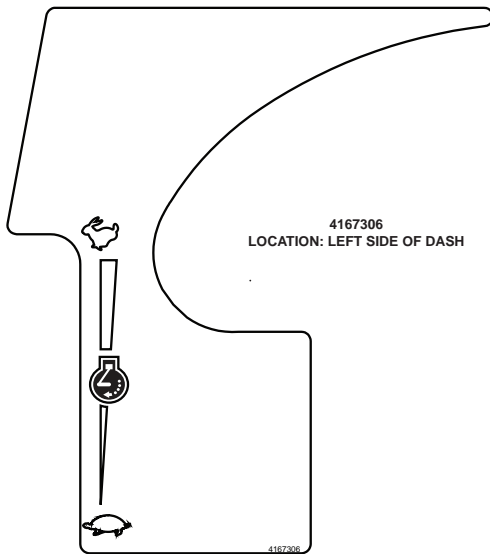
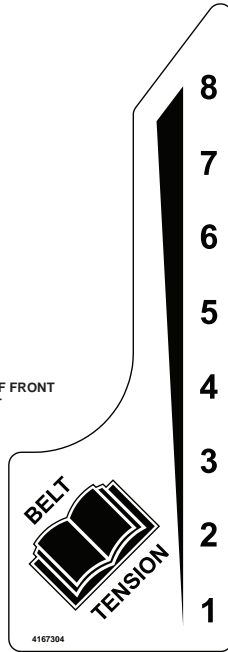


4167313
LOCATION: MIDDLE LEFT SIDE OF FRONT
FRAME

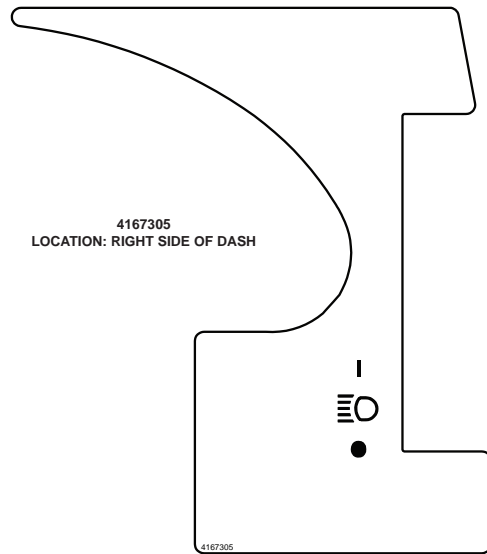


4167310
LOCATION: MIDDLE RIGHT SIDE OF FRONT
FRAME

4167304
LOCATION: LOWER RIGHT SIDE OF FRONT
FRAME ON PTO BRACKET
SEE MANUAL PAGE 16



4167306
LOCATION: LEFT SIDE OF DASH



4167305
LOCATION: RIGHT SIDE OF DASH

The Steiner 440 is designed for the commercial user or homeowner. From the rugged industrial frame to the operator controls the tractor is ready for demanding turf and grounds care assignments.

Power steering and articulated frame, combined with a low center of gravity and high flotation tires, provide exceptional maneuverability. Fully hydrostatic, infinitely variable, foot lever controls let you choose travel speeds to match the task. No clutching, jerking or braking, just smooth power flow to the 4 full time drive wheels for added traction in tough areas.

Front mounted attachments offer a wide range of working tools. They attach to the "Quick Hitch" that is a Steiner exclusive. The front hitch is standardized for all models of Steiner.

You can do many tasks with this one tractor, compared to higher priced single purpose machines, by simply changing attachments in less than 2 minutes. Operator safety and comfort, power, performance and dependability will provide years of enjoyment with your Steiner tractor.

ASSEMBLY INSTRUCTIONS

1. Remove unit and all parts from crate.
2. Install the wheels with valve stems facing outwards. If the wheels are bar type, note the direction of the treads and have the bar tread facing forward (there are 2 left wheels and 2 right wheels). Tighten wheel nuts to 85 ft. lbs.
3. Adjust tire pressures. Refer to Service Schedule on page 17.
4. Check all fluid levels: Engine oil, radiator, and overflow bottle (if water cooled model), and transaxle oil level in the expansion tank. Refer to transaxle oil level on page 25. It is likely that some Steiner Hydraulic Oil will need to be added when you first receive the machine and begin initial use. It may take several hours or days for all air to work its way out of the system.
5. Do not install rear weights unless there is a front mounted attachment hooked up.
6. Hook up battery cable, located in the right rear battery box.
7. Add fuel.
8. Read Safety and Operation sections of the manual before starting.
9. Start unit and test drive and check all functions.

SPECIFICATIONS

Specifications are subject to change without notice.

Engine:

75-72010.....	Kubota D902-E Diesel	24.8 HP liquid-cooled
75-72011.....	Kubota WG972-E Gas	32.5 HP liquid-cooled
75-72012.....	Kohler CH940 Gas	34 HP air-cooled
75-70013.....	Kohler CH1000 Gas	40 HP air-cooled

Drive Train:

Transmission.....	Eaton Hydrostatic Model 70160 Pump and 2 Model 74118 Motors
Transaxles.....	Peerless 2600 Series 2-speed
Steering.....	Hydraulic power steering
Parking Brake.....	Disc type

Fuel System:

Tank capacity.....	8 Gallons
Fuel Pump.....	Diaphragm (Kohler) Electric (Kubota)

Electrical:

Starting.....	12 volt, Key switch
---------------	---------------------

Battery.....	12 volt
Charging.....	40 Amp (Kubota)45 Amp (Kohler)

Tires:

Traction Type.....	22 x 12.0-10, Field Trax
.....	21 x 11.0-10, Lug
Turf Type, optional.....	22 x 10.0-10, Grassmaster

Dimensions:

Overall Width.....	44.5"
Overall Length.....	86"
Overall Height.....	73.25"
Wheelbase.....	43.5"
Inside Turning Radius.....	44"
Weight (Kohler).....	1490 lbs.
Weight (Kubota).....	1152 lbs.

Speeds:

Forward:	(Traction Type Tires) ...0-10.5 MPH (high range)
	0-5.25 MPH (low range)
Reverse	(Traction Type Tires) ...0-5.3 MPH (high range)
	0-2.8 MPH (low range)

1. PTO ELECTRIC CLUTCH SWITCH - The PTO switch controls the front drive belt (Power Take Off or PTO) that supplies power to attachments. Pull the switch out to engage the PTO and start an attachment. Push the switch in to disengage the PTO and stop the attachment.

- Disengage the PTO whenever you stop or leave the operator's position.
- Shut off the engine with the key before making adjustments or unplugging a clogged attachment.
- Do not engage the PTO until you are ready to start operating the attachment.

2. KEYSWITCH

Gasoline engines: The key switch has three positions OFF, RUN, and START. Insert the key and turn it clockwise to move the switch from OFF to RUN. Turn it further to START and hold to engage the starter. Release the key and the switch will return to RUN from START. Turn the key counterclockwise to OFF to stop the engine.

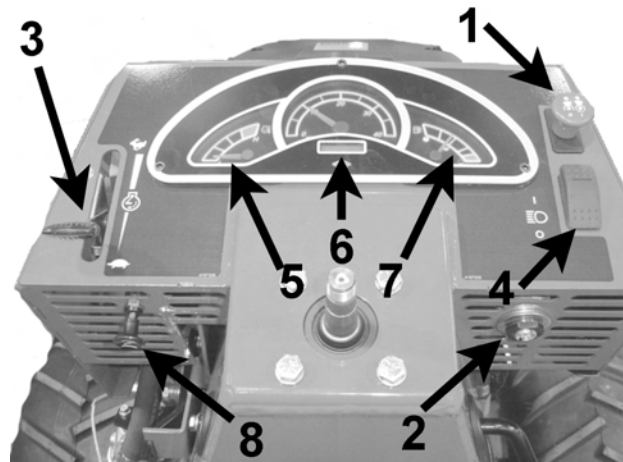
Diesel Engines: The key switch has four positions PREHEAT, OFF, RUN, and START. Insert the key and turn it counterclockwise to move the switch from OFF to PREHEAT until the glow plug indicator lights. Release the key and the switch will return to OFF. Turn the key clockwise to move the switch from OFF to RUN. Turn it further to START and hold to engage the starter. Release the key and the switch will return to RUN from START. Turn the key counterclockwise to OFF to stop the engine.

3. THROTTLE LEVER

Move the throttle lever forward to increase engine speed until the maximum governed engine rpm is reached. Move the lever rearward to decrease engine speed until the engine reaches its idle speed.

4. LIGHT SWITCH

Rock the switch forward to turn the lights on. Rock it rearward to turn the lights off.



5. WATER TEMPERATURE GAUGE- Water cooled engines only.

Displays engine coolant temperature.

VOLTMETER-

Air cooled engines only.

Displays electrical system voltage.

6. TACHOMETER AND HOUR METER

Displays engine rpm and accumulated engine operating hours.

7. FUEL GAUGE

Displays fuel level in fuel tank.

8. CHOKE

Gasoline engines only. Pull the choke control out to set the choke "ON". Push it in to set the choke "OFF".

9. AUXILIARY HYDRAULIC LEVER

Controls flow of hydraulic oil to hydraulic device connected to auxiliary hydraulic couplers. This allows extension or retraction of a hydraulic cylinder, or rotation of a hydraulic motor. There are four positions; HOLD, RAISE, LOWER, and FLOAT. Moving the lever forward from the hold positions lowers the attachment, moving it farther forward locks the lever into the detented FLOAT position that allows a cylinder to float or follow terrain. To raise an attachment move the lever to the rear to the RAISE position. If a function performs the opposite direction of what is intended, reverse the hoses connected to the auxiliary ports.

10. HYDRAULIC FRONT LIFT LEVER

Controls the vertical position of the front attachment hitch. There are four lever positions; HOLD, LOWER, FLOAT, and RAISE. Moving the lever forward from the hold positions lowers the attachment, moving it farther forward locks the lever into the detented FLOAT position. Mower decks should be run in this position as it allows the deck to follow terrain. For attachments where down pressure is desired, do not move the lever into the FLOAT position. To raise an attachment move the lever to the rear to the RAISE position.

11. STEERING WHEEL

Steers the machine. Turning the steering wheel causes the frame to bend in the middle to turn the machine. Turning the wheel clockwise effects a right hand turn, counterclockwise a left hand turn.

12. TRANSAXLE RANGE SELECTOR LEVER

Selects transaxle speed range.

For LO range: Move the lever to the upper position, where it will rest on top of the stop.

For HI range: Move the lever to the lower position, where it will be under the bottom of the stop.

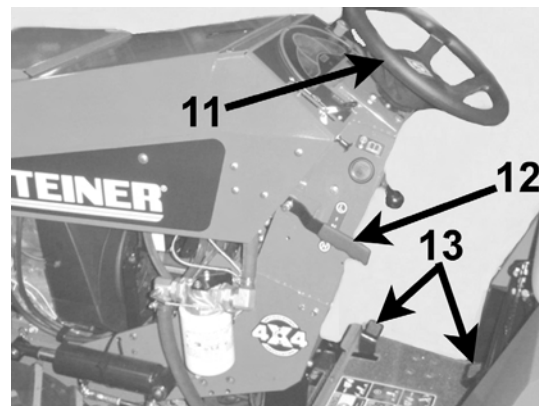
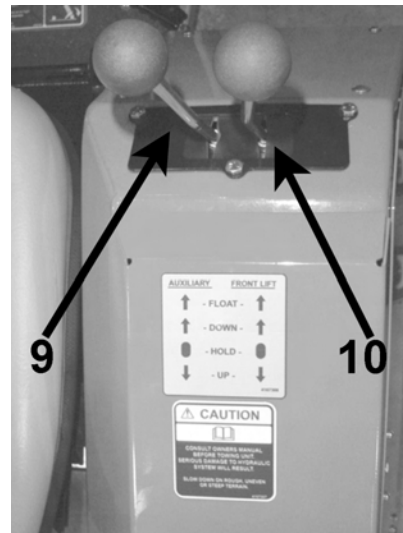
See page 18 for HI-LO Range selection information.

13. FORWARD-REVERSE FOOT PEDAL

Controls infinitely variable forward and reverse speeds.

NOTE: To operate the foot pedal the parking brake must be released.

- FORWARD: Place the ball of your foot on the front pedal, and slowly press downward. The farther the front pedal is pushed down, the faster the machine will travel up to its maximum speed.



- REVERSE: Place the heel of your foot on the rear pedal, and slowly press downward with your heel. The farther the rear pedal is pushed down, the faster the machine will travel up to its maximum speed.

NOTE: For best control on rough terrain:

- When traveling forward, place your heel on the floor plate.
- When traveling in reverse, place the front of your foot on the floor plate.

NOTE: Single Pedal Kit (75-71211) single piece pedal is available for frequent forward and reverse machine movement.

14. FRONT HITCH RELEASE LEVER

Rotate up and back to unlatch quick hitch to allow disconnecting attachment from tractor. Rotate forward and down to latch the attachment to the tractor.

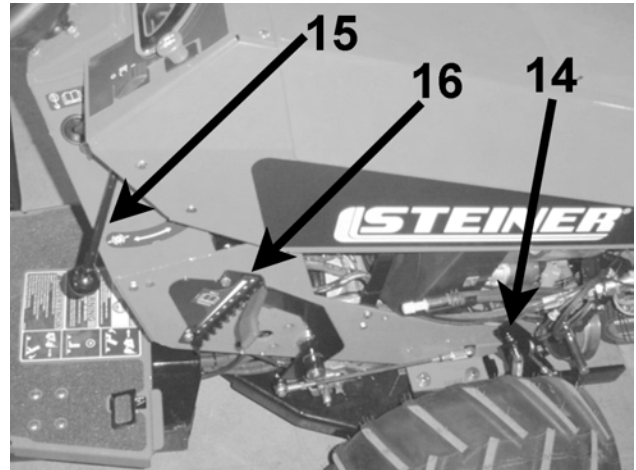
15. PARKING BRAKE LEVER

(On right side)

Pull lever to engage parking brake. Push lever forward to disengage parking brake.

16. BELT TENSION ADJUSTMENT LEVER

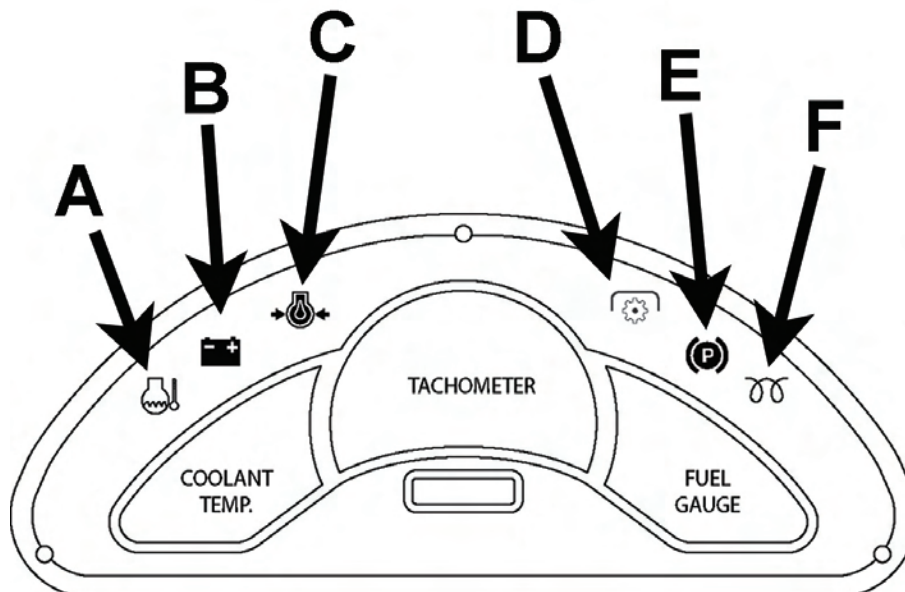
Adjusts the PTO Belt Tension. Adjust the belt tension after every attachment installation.



DASH INDICATOR LIGHTS

ITEM	SYMBOL	COLOR	INDICATES
A	HI TEMP	RED	HIGH ENGINE TEMP.
B	ALTERNATOR	RED	NO CHARGE
C	OIL PRESSURE	RED	LOW ENGINE OIL PRESSURE
D	PTO	AMBER	PTO ENGAGED
E	PARKING BRAKE	RED	PARKING BRAKE ON
F*	GLOW PLUG*	AMBER	WAIT TO START-PREHEATING

*Glow plug used on Diesel engine only. Indicates glow plugs not heated enough for a cold engine to start. When light is out engine is preheated.



FUELING

- GASOLINE: Fill tank with clean, fresh, regular or unleaded fuel.
- DIESEL: Fill tank with clean, fresh No. #2 diesel fuel. In extreme cold temperatures No. #1 diesel fuel may be used. **Do not use kerosene or damage to engine may result.** Refer to engine manual for fuel bleeding instructions.
- Use a funnel to avoid spillage.

⚠ DANGER

NEVER FILL FUEL TANK WITH THE ENGINE RUNNING.

ENGINE OIL

Refer to the engine manual for oil specifications.

TRANSAXLE HYDRAULIC OIL

Fill transaxle to the safe range with Steiner hydraulic oil (Benzoil THL 303D Tractor Hydraulic Fluid.) **Do not use automatic transmission fluid, motor oil, or any other type of hydraulic oil.**

If the oil level is below the "LOW" level in the expansion tank, add Steiner Hydraulic Oil up 1" above the "LOW" level See page 25.

NOTE:

THE USE OF ANY OIL OTHER THAN STEINER TRANS-HYDRAULIC OIL (BENZOIL THL 303D TRACTOR HYDRAULIC FLUID) IS NOT RECOMMENDED. IF A SUBSTITUTE OIL CAUSES OR SUBSTANTIALLY CONTRIBUTES TO A FAILURE, THAT FAILURE MAY NOT BE COVERED BY WARRANTY.

⚠ CAUTION

BE ALERT! STOP RUNNING THE UNIT AT THE FIRST SIGN OF ANY ABNORMAL HYDRAULIC FUNCTION. SERIOUS DAMAGE TO THE HYDRAULIC SYSTEM CAN RESULT!

COOLANT

Use only commercial grade antifreeze (for cast iron liquid cooled engines) and deionized water in a 50/50 mix. Mix outside of engine. Don't mix Propylene Glycol and Ethylene Glycol.

BEFORE STARTING THE ENGINE

- **READ SAFETY DECALS.**
- Be familiar with all controls, how each functions and what each operates.
- Check engine and transaxle oil levels and add if necessary.
- Visually check tires.
- Visually check for loose or missing parts or bolts.
- Check coolant level. (Kubota)
- Check fuel level.

STARTING THE ENGINE

1. To start the engine: Forward - Reverse foot pedal must be in NEUTRAL, the PTO must be OFF and the parking brake engaged.
2. Open throttle approximately one-fourth of its travel.
3. GASOLINE ENGINES: Pull choke.
DIESEL ENGINE: Turn key counterclockwise to "preheat" until indicator light goes off. No "preheat" is required when the engine is warm.
4. Turn the key to operate the electric starter to start the engine. Release the key when the engine starts.
5. If the engine does not start immediately, do not crank for more than 10 seconds at a time. Allow 60 seconds for the starter motor to cool down between starting attempts to prevent the starter motor from burning out.
6. Warm up engine at low to medium speed with no load for several minutes. See Engine Manual.
7. If the choke is "ON" when the engine starts, gradually back it off until the engine runs with no choke at all.
8. In cold weather, allow the hydraulic oil to warm up a few minutes at medium engine speed before using tractor.
9. Check to see that the oil pressure lamp and charge lamp are off. If the lamps are on, immediately stop the engine, and determine the cause.

⚠ CAUTION

NEVER USE ETHER AS A STARTING AID, SEVERE ENGINE DAMAGE MAY OCCUR.

OPERATING NOTES

- **OBSERVE SAFETY DECALS.**
- Practice at slow engine and travel speeds with the PTO off until fully familiar with the controls.
- Do not operate mower with other persons in the area. Irregularities in ground surface can permit foreign material to be propelled from beneath deck to cause serious injury or death.
- Before leaving operator's seat, disengage PTO, set PARKING BRAKE and STOP ENGINE.
- Remove key from ignition if maintenance procedures are to be performed or tractor is to be left unattended.
- Tire pressures are very important! Check tire pressures according to Service Chart on page 20.

CAUTION

Slow down on rough, uneven or steep terrain and for operation of power driven mounted attachments.

CAUTION

Stop running the unit at the first sign of any abnormal hydraulic function. Serious damage to the hydraulic system can result.

CAUTION

Rear weights must be used with attachments over 120 pounds for stability. See attachment operator's manual for weight requirements.

Always remove all rear weights when front mounted attachments are removed, or when using attachments less than 120 pounds, to reduce the possibility of unit tipping over backward while climbing steep slopes or loading ramps.

TIRE BALLAST

Liquid, foam, rubber or powder ballast in tires causes excess loads on the drive train. **Failures caused by excess loading may not be covered by warranty.**

Modified or makeshift weights are not acceptable.

MAXIMUM ENGINE INCLINATION RECOMMENDATIONS

See page 7 Operating on Slopes, to ensure safe operation. When using an engine in an inclined position continuously, the following points must be remembered:

- The effective volume of the fuel tank becomes less, so air suction must be prevented.
- The effective volume of the engine oil sump is reduced, increasing the possibility of improper engine lubrication.

POSITION	LESS THAN 10 MINUTES CONTINUOUS OPERATION	CONTINUOUS OPERATION
FRONT UP	30°	25°
FRONT DOWN	30°	25°
LEFT OR RIGHT SIDE DOWN	30°	25°

DRIVING

1. Select desired engine speed with the throttle. For power driven attachments, the engine is normally run at maximum RPM.
2. Vary vehicle speed with the Forward - Reverse foot pedal. If the attachment or a steep slope causes excessive drop in engine RPM; reduce ground speed. **Do not lug the engine at reduced RPM.**
3. Operate mower and other similar front mounted attachments with front lift lever in "FLOAT" position.
3. Safety seat switch requires operator to be seated when PTO is "ON" or engine will stop. Disengage PTO before attempting to start engine.
4. The hydrostatic transmission provides a braking action when the Forward - Reverse foot pedal is returned to neutral.
5. Set parking brake and stop engine before dismounting.
6. **DO NOT TOW!** Serious damage to hydraulic system will result. See below for emergency moving instructions.

HIGH-LOW RANGE SELECTION

The units are shipped with the transaxle gear range selector in HIGH (H) range. This range selection is recommended for most of the operating tasks. If slower speeds and more responsive F-R control is needed, use LOW (L) range selection.

EMERGENCY TOWING INSTRUCTIONS FOR A STALLED UNIT

1. Both transaxles must be in neutral before moving a stalled unit. Neutral position is between HIGH (H) and LOW (L) range position.
2. Move the transaxle range selector lever to the Neutral (N) position.
Failure to shift transaxles into "Neutral" will cause serious damage to the hydrostatic system.

INSTRUCTIONS FOR TRANSAXLE RANGE SELECTION

Do not attempt to select ranges on slopes or when the unit is traveling. Select ranges only when unit is stopped on level surfaces.

1. Stop the unit on a level surface and set PARKING BRAKE.
2. To move the transaxle range selector lever from high (H) to low (L), grasp the lever and pull outwards on the lever until the lever rests on top of the center stop.

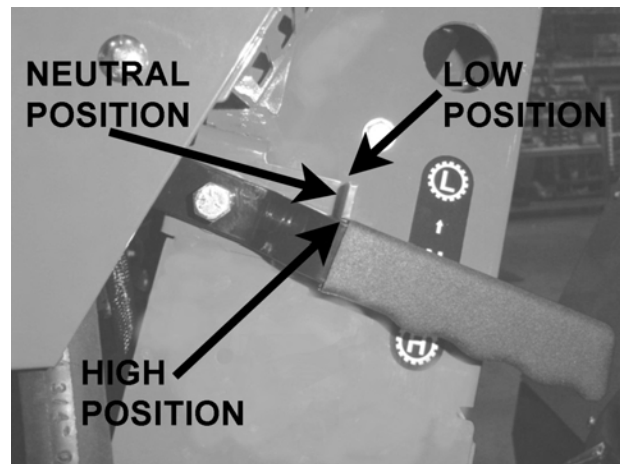
NOTE: The tractor may require a rocking motion so that the disengagement of the gears and the re-engagement of the gears/alignment occurs.

CAUTION

BE SURE TO SHIFT BOTH TRANSAXLES SHIFT INTO THE SAME RANGE OR SERIOUS MECHANICAL DAMAGE WILL RESULT!

3. Reverse the procedure to go from low (L) to high (H).

NOTE: The lever does should rest against the center stop as shown.



PTO BELT DRIVE

A belt drive is provided for power transfer to attachments.

CAUTION

DO NOT ENGAGE THE PTO CLUTCH WITH THE ENGINE AT FULL THROTTLE ALWAYS REDUCE ENGINE RPM BEFORE ENGAGING PTO. STARTING HEAVY LOADS AT FULL THROTTLE WILL SHORTEN CLUTCH AND BELT LIFE

When no attachment is installed, move the PTO lever to the top notch for greater operator comfort.

The attachment drive belt is installed around the left hitch arm before the attachment is connected to the front lift Quick Hitch (Figure 1).

To install the drive belt:

1. Pull up on the Hitch Control Handle **B** to open latches. Install the attachment to the front lift. Push down on Hitch Control Handle to lock latches.
2. Stop the engine and release the belt tension adjustment lever **A** by pulling the lever out away from the unit and pushing it down past the #1 adjustment notch.
3. Install the attachment drive belt on the outside double idler pulley **C**.
4. Lift up on the adjustment lever **A** until the slack is out of the belt.

WARNING

DO NOT ATTEMPT TO INSTALL BELTS OR MAKE BELT ADJUSTMENTS WITH THE ENGINE RUNNING.

5. PROPER TENSION IS VERY IMPORTANT

The proper tension setting is obtained by moving the belt tension adjustment lever **A** one notch after all slack is taken out of the drive belts. If drive belt slips tighten one additional notch.

6. The PTO clutch is engaged or disengaged with the push/pull switch located on the dash. Engage the PTO clutch with the engine at approximately 1/2 throttle.

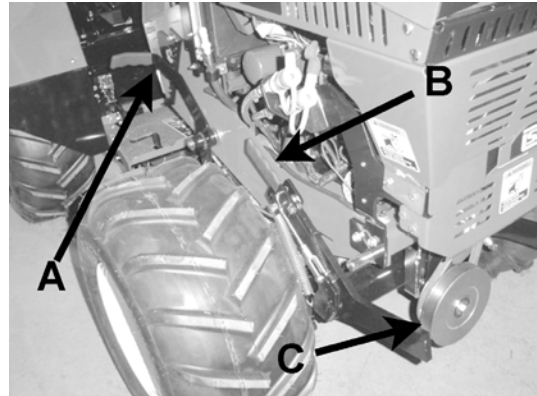


Figure 1

NOTE: THE OPERATOR MUST BE SEATED FOR THE PTO CLUTCH TO OPERATE. DO NOT ATTEMPT TO BYPASS THIS SAFETY DEVICE.

AUXILIARY HYDRAULICS

The auxiliary valve and quick couplers are standard equipment. Keep dust covers in place when couplers are not in use. Float position is provided for those attachments which require float.

STOPPING THE ENGINE...COOL DOWN PROCEDURE

Run at reduced throttle for several minutes, then shut down. See engine manual.

SERVICE CHARTS

STEINER 440

SERVICE CHART	DAILY	EVERY 25 HOURS	EVERY 50 HOURS	EVERY 100 HOURS	EVERY 250 HOURS
Read safety decals.	X				
Check fuel level.	X				
Check engine oil level.	X				
Check coolant level. (Liquid cooled engines only)	X				
Visual inspection of:					
Bolts and fittings for signs of loosening.	X				
Accumulation of dirt or foreign matter around engine, restricting engine cooling.	X				
Oil leaks or hydraulic hoses, belts, electrical wiring, showing signs of wear.	X				
Tires for low pressure or signs of abnormal wear.	X				
Change engine oil and filter:					
Kohler engine: Initial change at 5 hours Kubota engine: Initial change at 35hours	Refer to the engine manufacturer's manual for oil and filter change intervals after initial change.				
Check air cleaner:					
Clean or replace. (More frequently in dusty conditions.)			X		
Check battery water level:					
If battery is serviceable, fill to cover the plates 1/4".				X	
Transaxles:					
Check transaxle oil level.	X		X		
<i>Use only Steiner Hydraulic oil (Benzoil THL303D tractor hydraulic fluid) Fluid. Do not use automatic transmission fluid or motor oil.</i>					
Initial hydraulic oil filter change at 25 hours.					
Change hydraulic oil and filter every 250 hours, or annually (whichever occurs first).					X
Replace hydraulic oil and filter every 250 hours, or at the first sign of abnormal hydraulic function.					X
Fuel system:					
Check or replace filter.				X	
Lubrication:					
Grease PTO slider bracket pivot, double idler pivot, PTO tensioner arm pivot, mid frame pivot, lower pivot straps, lift cylinder pivot, foot pedal, saddle, and rod.		X			
Use chain lube, WD-40 or light motor oil on all pivot points, hood hinges, tie rod ends, center link, etc.		X			
Grease drive shaft U-joints, centerpivot and PTO idler arm			X		
Check tire pressure:					
Air Pressure- 5 to 8 lbs. (Duals 3 to 4 lbs.) Outside Duals should have nomore than 50% of the inner tire pressure			X		
Storage:					
Drain fuel tank.					
Maintain proper tire pressure.					
Remove battery and maintain charge.					
Grease exposed cylinder shafts of fully retract cylinder.					

CAPACITIES CHART*	
CAPACITY OF:	QUANTITY
Engine Oil (Kubota Gas)	3 U.S. Quarts (2.8 liters)
Engine Oil (Kubota Diesel)	3.9 U.S. Quarts (3.7 liters)
Engine Oil (Kohler)	2.9 U.S. Quarts (2.8 liters)
Engine Coolant (Kubota Gas)	3.3 U.S. Quarts (3.1 liters)
Engine Coolant (Kubota Diesel)	3.3 U.S. Quarts (3.1 liters)
Fuel Tank	8.0 U.S. Gallons (30.3 liters)
Hydraulic Oil (Front Axle)	6.0 U.S. Quarts (5.7 liters) See page 25.
Hydraulic Oil (Rear Axle)	6.0 U.S. Quarts (5.7 liters) See page 25.
Expansion Tank	1.5 U.S. Quarts (1.4 liters) See page 25.

*APPROXIMATE QUANTITIES

CHECK DAILY

Operator Presence Interlock System - Start Operation

For the engine to crank, the parking brake must be on, locking the Forward-Reverse foot pedal in neutral and the PTO off. The engine should not crank with the PTO on, or the parking brake off while sitting in the seat.

Operator Presence Interlock System - Run Operation

The operator must be in the seat for the engine to run with the PTO on.

To check:

1. Start the engine and run at 1/2 throttle with the operator on the machine but raised off the seat.
2. Turn the PTO on. This check should kill the engine after 1/2 second.

Repair machine before using if the Operator Presence Interlock System does not operate correctly in start or run. Contact your authorized Schiller Grounds Care, Inc. dealer.

Hardware

Tighten any nuts and bolts found loose. Replace any broken or missing cotter pins. Repair any other problems before operating.

Hydraulic System

Check fluid level at expansion tank, when fluid is cold. Check for leaks and repair before operating.

Tire pressure

Tire pressures are important! Check tire pressures according to the Service Chart on page 20.

Battery

WARNING

Battery acid is caustic and fumes are explosive and can cause serious injury or death.

Use insulated tools, wear protective glasses or goggles and protective clothing when working with batteries. Read and obey the battery manufacturer's instructions.

Be certain the ignition switch is "OFF" and the key has been removed before servicing the battery.

1. Verify battery polarity before connecting or disconnecting the battery cables.
2. When installing the battery, always assemble the RED, positive (+) battery cable first and the ground, BLACK, negative (-) cable last.

3. When removing the battery, always remove the ground, negative (-) cable first and the red, positive (+) cable last.
4. Check the electrolyte level every 100 hours of operation.
5. Clean the cable ends and battery posts with steel wool. Use a solution of baking soda and water to clean the battery. Do not allow the solution to enter into the battery cells.
6. Tighten cables securely to battery terminals and apply a light coat of silicone dielectric grease to terminals and cable ends to prevent corrosion. Keep terminal covers in place.

ENGINE

Do not perform engine maintenance without the engine off, spark plug wires (gasoline engines) disconnected and PTO disengaged.

NOTE:

THE USE OF ANY ENGINE OIL FILTER OTHER THAN THOSE SPECIFIED BY THE ENGINE MANUFACTURER IS NOT RECOMMENDED. IF A NON-GENUINE PART CAUSES OR SUBSTANTIALLY CONTRIBUTES TO A FAILURE, THAT FAILURE MAY NOT BE COVERED BY WARRANTY.

ENGINE OIL AND FILTER CHANGE PROCEDURE

While the engine is warm:

1. Release the oil drain hose assembly from the engine clip **J**.
KUBOTA: Route the line through the frame to allow proper drainage.
KOHLER: Route to the front of the unit to allow proper drainage.
2. Remove the rubber cap **D** from the tip of the hose assembly and open the drain valve to allow oil to drain from the engine. Dispose of used oil in accordance with local requirements.
3. Clean and close the drain valve. Replace rubber cap **D** over the tip of the valve. Replace hose assembly back into engine clip **J**.
4. Change oil filter.
5. Fill the crankcase with fresh oil to the full mark. Do not overfill. See engine manual for oil specifications.

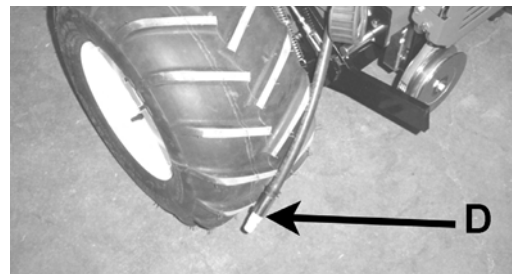
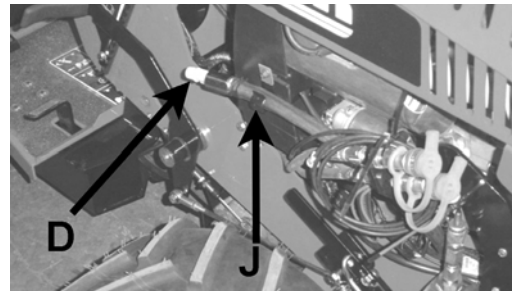
DAILY

1. Check oil level with the dipstick.
2. If oil is needed, add fresh oil of proper viscosity and grade. Refer to engine manual for oil specifications. Do not overfill.
3. Replace dipstick before starting engine.

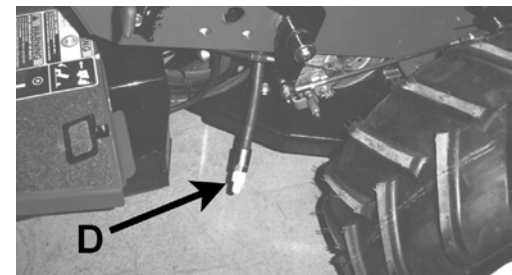
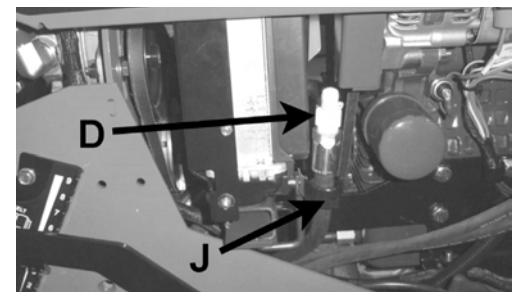
PERIODIC OIL CHANGES

1. Refer to the engine manual for oil and filter change intervals.

KOHLER



KUBOTA



FUEL FILTERS

- Use only O.E.M. brand filters.
- Buy your fuel from a reputable supplier. Recommended gasoline is 87 octane. Recommended diesel fuel is No. 2. Store your fuel properly - keep moisture out.
- Shelf life of fuel is about 3 months - gasoline and diesel.
- Store fuel in proper, clean containers.
- Be aware there is a shelf life on fuel.

AIR FILTERS

See engine manual for cleaning /replacement intervals and servicing.

- Install filters properly, do not over tighten and deform element.

Kohler

- Keep an extra foam wrap oiled and ready - Can keep the extra foam wrap in tool box.

Kubota

- Don't over service, remove end cap only to clean out dust. Don't tap dirt out.
- Don't blow out with compressed air.
- Check intake hoses and fittings for damage or leaking.

COOLING

- Keep chaff screen clean. - Air cooled and liquid cooled.
- Keep engine block clean. Grass, dirt, misc. debris will act as an insulator.
- Do not pressure wash a hot or running engine.
- Keep radiators clean. - Do not use high pressure air or washers to clean. Use only low air or water pressure. Blow directly through fins and not on an angle so as not to damage or close fins.
- Use only commercial grade antifreeze (for cast iron liquid cooled engines) and deionized water in a 50/50 mix. Mix outside of engine. Don't mix Propylene Glycol and Ethylene Glycol.
- Do not remove thermostat.

NOTE:

THE USE OF ANY AIR FILTER, OIL FILTER OR ENGINE OIL FILTER OTHER THAN THOSE SPECIFIED BY THE ENGINE MANUFACTURER IS NOT RECOMMENDED. IF A NON-GENUINE PART CAUSES OR SUBSTANTIALLY CONTRIBUTES TO A FAILURE, THAT FAILURE MAY NOT BE COVERED BY WARRANTY.

HYDRAULIC SYSTEM

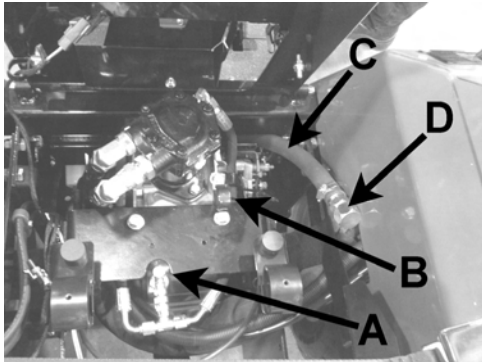
NOTE:

THE USE OF ANY OIL OTHER THAN STEINER TRANS-HYDRAULIC OIL (BENZOIL THL303 TRACTOR HYDRAULIC FLUID) IS NOT RECOMMENDED. IF A SUBSTITUTE OIL CAUSES OR SUBSTANTIALLY CONTRIBUTES TO A FAILURE, THAT FAILURE MAY NOT BE COVERED BY WARRANTY.

1. Keep system filled with proper fluid.
 - Check expansion tank level daily.
 - Check when oil is cold.
 - Use only clean containers. Keep it clean!
 - Do not fill expansion tank more than 1" above the low oil level to allow for hot oil expansion.
2. Keep oil and filter changed.
 - Initial filter change 25 hours, then oil and filter change at 250 hours.
 - Change oil and filter every 250 hours thereafter or annually. (whichever occurs first)
 - Change oil when warm (not hot).
 - Make sure filter is primed.
 - Use only O.E.M. filter and Schiller Grounds Care, Inc. fluid or Benzoil THL303 Tractor Hydraulic Fluid.
 - Check oil level after 30 minutes of operation.
 - Do not over tighten drain plug.
 - Make sure filter is tight.
 - Change hydraulic oil and filter at the first sign of abnormal hydraulic functions.
3. Check for leaks daily (Never operate a unit if a leak is detected).
 - Inspect hoses for leaks or chafing.
 - Inspect fittings and hose ends for seepage.
4. Keep tractor/unit clean.
 - Keep auxiliary hoses and couplers clean and plugged.
 - Grass and debris will hold in heat.
 - A clean unit is easier to work on and safer to operate. And it is easier to do regular checks.
 - See your dealer for a high pressure filter of the entire system if drive system has been opened (such as hoses removed, pump or motors removed).

TRANSAXLE OIL LEVELS

Fill oil expansion tank to low level or 1" above when cold.



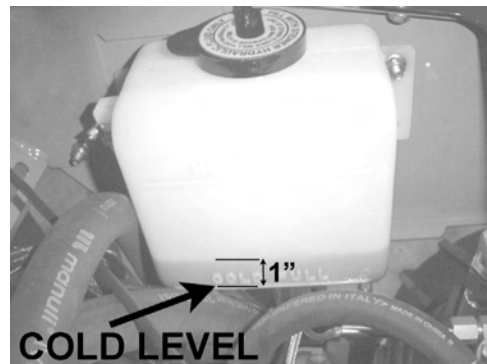
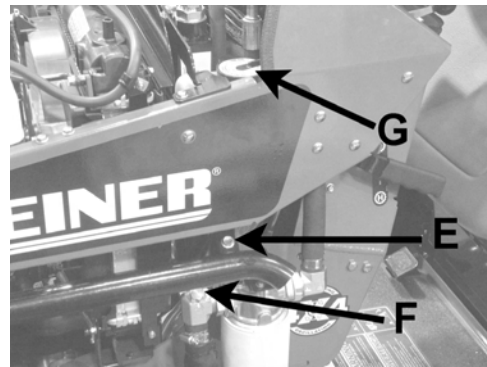
TRANSAXLE OIL CHANGE PROCEDURE

Change oil and filter at any time contamination is suspected. Approximately 11.5 quarts of approved hydraulic oil are needed to change oil.

1. Lift seat and remove vent cap (A).
2. Remove full hose (C) from clamp (B) and orientate so any oil in hose will not leak out.
3. Remove fill hose cap (D).
4. On left side front of tractor, remove bolt (E) from air intake hose and move aside.
5. Remove fill port cap (F) from filter head fitting.
6. Remove drain plugs (not shown) from front and rear transaxles.
7. Allow the oil to drain.
8. Remove hydraulic oil filter and wipe filter base clean.
9. Fill the new O.E.M. hydraulic filter with approximately .82 quarts of hydraulic oil and lube the filter gasket.
10. Install the new hydraulic oil filter. Tighten 3/4 to 1 turn after gasket makes contact with the filter base. Do not overtighten.
11. Re-install drain plugs in both transaxles.
12. Fill front transaxle through filter head fitting with approximately 6 quarts of oil.
13. Reinstall port cap (F) to the filter head.
14. Reinstall the air intake hose with bolt (E).
15. Fill the rear transaxle through the fill tube with approximately 1.25 quarts of oil. Replace the fill port fitting.

NOTE: You may need to fill the tank multiple times and allow to drain.

16. Reinstall vent cap (A), fill hose cap (D) and fill hose (C) to clamp (B).
17. Fill the expansion tank (G) to approximately 1" above the cold line.
18. Run engine, and turn steering wheel extreme right to extreme left several times to purge all air from the circuit.
19. Drive the unit back and forth about 50 feet to purge air from the drive circuit.
20. Repeat steps 17-20 as needed to purge all air from system.



HYDROSTATIC TRANSMISSION

CAUTION

When servicing any part of the hydrostatic system, observe clean shop practices. A small amount of contamination in the high pressure circuit will cause damage to the system. Improper hoses can cause injury. See your Schiller Grounds Care, Inc. dealer for quality service parts and service of the high pressure hydrostatic system.

LUBRICATION

- Grease all fittings as recommended on Service Chart on page 20.
- Lubricate all pivots points after washing.

FRAME

1. Check for loose or missing fasteners after first 10 hours. - Every 100 hours thereafter.
 - Torque transaxle mount bolts 60 - 90 ft. lbs.
 - Torque all standard hardware bolts to standard grade 5 spec.
 - Steering cylinder mount bolts, torque to 96 ft. lbs.
 - Center link bolts, torque to 96 ft. lbs. Tighten 1" center bolt to 350 ft. lbs.
 - Torque ROPS bolts to 80 ft. lbs. Do not cut, weld, drill or modify roll bar in any way. Replace if roll bar becomes bent or damaged.
2. Do not remove guards, shields or lock straps.
 - Repair or replace any broken parts.
 - Keep frame parts clean, it makes it easier to find loose or broken parts.
 - Wash after each use around fertilizer, manure, etc., to prevent corrosion.
3. Keep parking brake adjusted properly.
 - Ensure that brake holds unit from creeping. See parking brake adjustment section page 28.

WHEELS AND TIRES

- Use only factory recommended wheels and tires.
- Tire pressure can be increased with heavy attachments to reduce tire "bulge."
- Never use different sizes in any combination.
- Maintain proper air pressure.
- Do not load tires with ballast or use wheel weights.
- Tire sealer may be used.
- Be sure dual wheels are installed correctly and the tire pressures are correct.
- Duals must be checked for tightness every day until they are seated in. Torque center bolt to 80 ft. lbs.
- Avoid close operating conditions with duals installed.
- Check lug nuts for torque.... 85 ft. lbs.
- Seal beads with Permatex Liquid Sealer.

ELECTRICAL SYSTEM

- Do not bypass or eliminate safety devices.
- Keep all electrical connections clean and dry.
- Do not add extra electrical equipment.
- If wire replacement is necessary, replace with the same gauge and color code.
- Make certain there is a ground strap between engine and frame.
- Follow recommended jump starting procedures.
- Use only factory recommended size batteries.
- Make a periodic visual inspection of all wiring to ensure it is not damaged.
- Maintain battery by keeping terminals and top of battery clean.

PTO AND BELTS



DO NOT ATTEMPT TO INSTALL BELTS OR MAKE BELT ADJUSTMENTS WITH THE ENGINE RUNNING.

It is necessary to check the PTO belt adjustment:

- Every time attachments are changed.
- If the PTO drive belt slips or does not release properly.

BELT DRIVE

- Steiner belts are recommended. (See Belt Chart on page 31 for sizes). Steiner specification belts are Aramid fiber reinforced to take back bend and retain a consistent Length to keep belt to pulley geometry consistent.
- Check for excessive play in the single idler pulley pivot. Replace bearings if necessary.

PROPER TENSION IS VERY IMPORTANT

The proper tension setting is obtained by moving the belt tension adjustment lever **D** one notch after all slack is taken out of the drive belts. If drive belt slips tighten one additional notch.

NEUTRAL ADJUSTMENT

Absolute neutral is when the tractor will not creep with the engine running and the Forward - Reverse foot pedal in neutral.

If the unit creeps it is necessary to adjust the NEUTRAL LINKAGE.

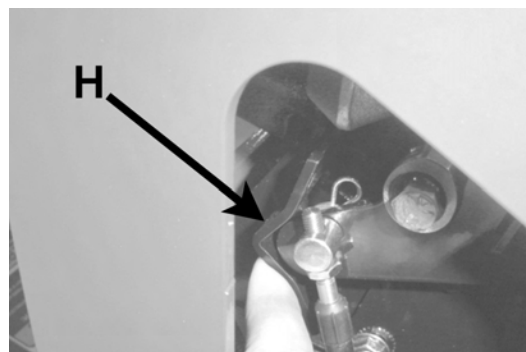
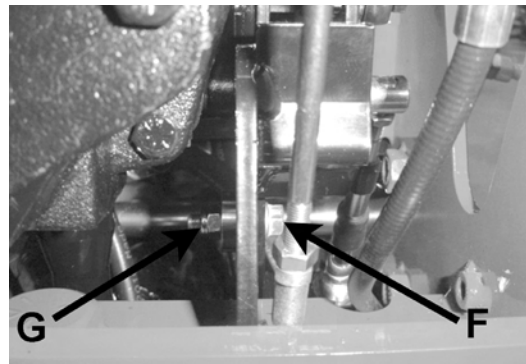
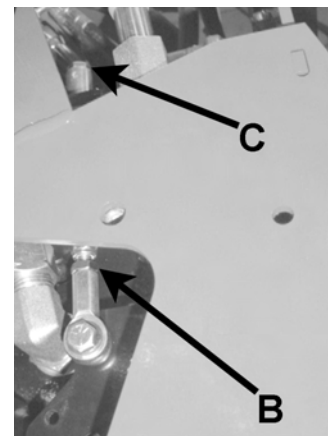
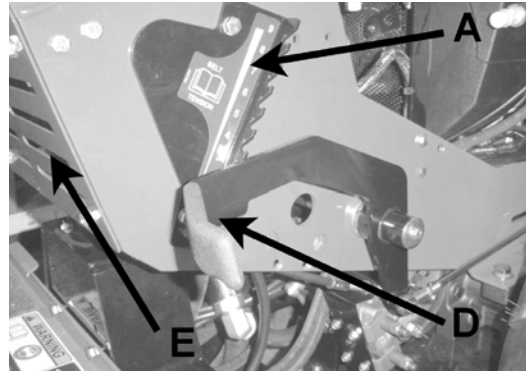
If the unit makes a whining noise when the parking brake is engaged, it is necessary to adjust the NEUTRAL LOCK.

NEUTRAL LINKAGE ADJUSTMENT

1. Remove the top bolt on the PTO Adjustment Bracket **A** located on the right side of unit. Loosen the bottom bolt and swing the bracket out of the way.
2. Loosen the jam nut **B**.
3. Turn the adjustment bolt **C** until the desired setting is reached.
Lengthen bolt if unit creeps forward.
Shorten bolt if unit creeps backward.
4. Tighten the jam nut **B** when neutral setting is correct.
5. See Neutral Lock Adjustment.

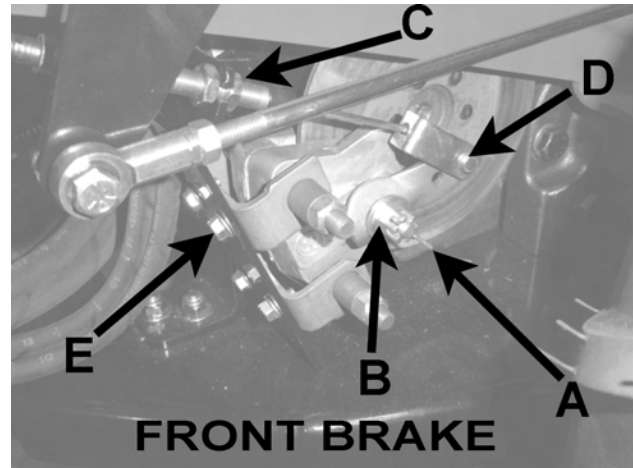
NEUTRAL LOCK ADJUSTMENT

1. Place the unit into neutral and release the parking brake.
2. Remove the pump cover **E**, located under the steering wheel.
3. Remove the top bolt on the PTO Adjustment Bracket **A** located on the right side of unit. Loosen the bottom bolt and swing the bracket out of the way.
4. Loosen bolt **F** and nut **G**.
5. Push the lock plate **H** to center it as show and retighten nut **G** and bolt **F**.
6. Replace PTO adjustment bracket **A** and hardware. Verify all hardware is tight.



FOOT PEDAL ADJUSTMENT

1. Turn off unit and set the parking brake.
2. Remove 4 bolts securing floor plate.
3. Raise the floor plate on the pedal side loosen LH and RH jam nut on connecting rod.
4. Turn rod until desired pedal position is reached.
Increase rod length to increase the distance between the forward pedal and the floor plate.
Decrease the rod length to decrease the distance between the forward pedal and floor plate.
5. Tighten jam nuts. Reinstall 4 bolts to secure floor plate.



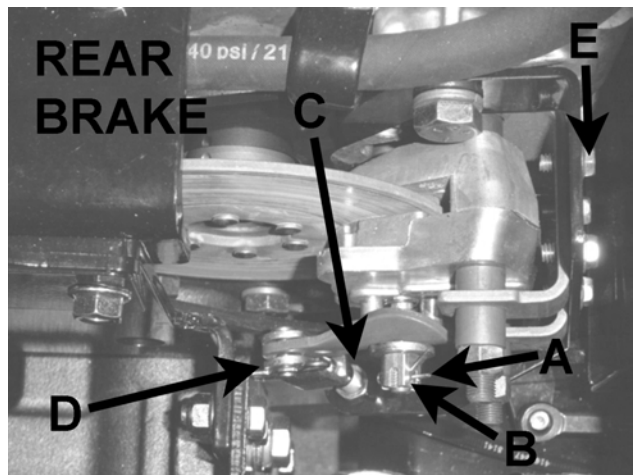
PARKING BRAKE ADJUSTMENT

The parking brake is a dry disc type located on the front and rear transaxle. As the friction pads wear it may be necessary to adjust the brake.

NOTE: Check brake disc periodically to ensure it will float on the brake shaft. Remove and coat with anti-seize annually.

CALIPER ADJUSTMENT:

1. Release the brake and remove the cotter pin **A** from the adjusting nut.
2. Tighten the adjusting nut **B** carefully until the disc cannot be moved by trying to rotate the side by hand, then back off just far enough to allow the disk to move freely.
3. Align nut **B** and reinstall cotter pin **A**.



PARKING BRAKE LEVER ADJUSTMENT:

1. Remove the clevis pin **D** to disconnect the brake cables .
5. Verify the brake equalizer plate is level within 1/2". If not adjust brake cables, using jam nuts **C** until it is level.
6. Adjust brake cables using jam nuts **C** until the parking brake lever applies with approximately 5-10 lbs. of force.

1. Remove the clevis pin **D** to disconnect the brake cables.
2. Remove the 4 bolts **E** that hold the caliper to the mounting bracket.
3. Slide the caliper and rotor off the shaft as the same time.
4. Remove the caliper and replace the brake pads.
5. Reassemble caliper and rotor on shaft, reinstall bolts, and reconnect the brake cables.
6. Adjust parking brake.

BRAKE PAD REPLACEMENT:

THROTTLE ADJUSTMENT

KOHLER GAS & KUBOTA DIESEL:

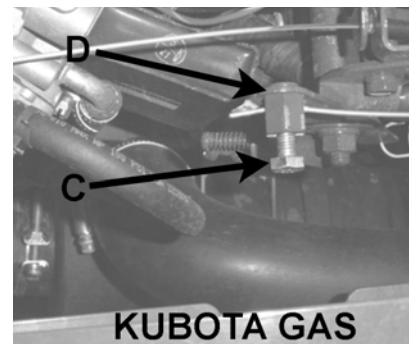
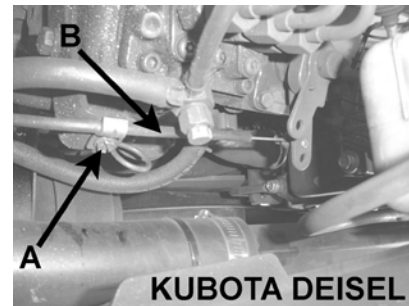
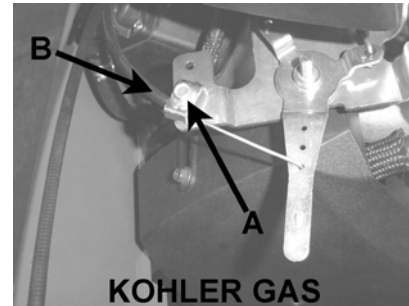
1. Push throttle lever all the way forward to open throttle.
2. Loosen Cable clamp **A**.
3. Pull on cable **B** to remove any slack.
4. Reinstall cable clamp **A**.
5. Pull throttle lever all the way back and verify that the throttle reaches the stop. If not readjust.

KUBOTA GAS:

1. Push throttle lever all the way forward to open throttle.
2. Loosen bolt **C**.
3. Pull throttle arm **D** to the high idle stop.
4. Tighten bolt **C**.
5. Pull throttle lever all the way back and verify that the throttle reaches the stop. If not readjust.

ENGINE	LOW IDLE	HIGH IDLE
KOHLER GAS	1800 RPM	3600 RPM
KUBOTA GAS	1400 RPM	3600 RPM
KUBOTA DIESEL	1600 RPM	3600 RPM

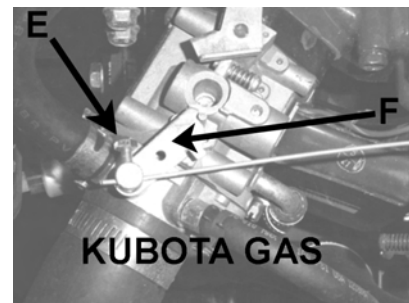
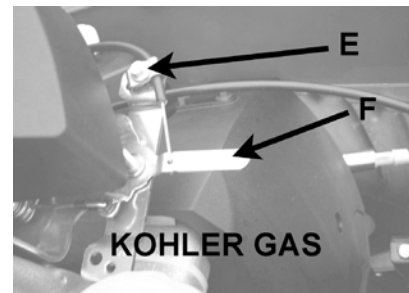
Low idle can be adjusted higher to reduce vibration and shaking.



CHOKE ADJUSTMENT

KOHLER GAS & KUBOTA GAS:

1. Push choke all the way closed.
2. Loosen bolt **E**.
3. Pull choke arm **F** to the closed stop.
4. Tighten bolt **E**.
5. Pull choke all the way out and verify that the choke closes fully. If not readjust.



SYMPTOM	POSSIBLE CAUSE	REMEDY
Engine will not turn over.	Parking brake not set.	Set parking brake.
	PTO engaged.	Disengage PTO.
	Battery dead.	Check battery, charge or replace.
	Defective wiring, broken or loose connections.	Visually check, or check with test light for continuity on the circuits.
	Forward-Reverse control lever not in neutral.	Adjust neutral linkage (See page 27).
	Defective starter or starter solenoid.	Check by using a jumper from the battery terminal to the solenoid terminal.
	Safety switches out of adjustment.	Adjust switches so they are fully depressed.
Engine difficult to start, or runs poorly.	Fuel valve partly closed or plugged.	Open fuel valve all the way or remove and clean.
	Fuel filter dirty.	Replace fuel filter.
	Air cleaner dirty.	Replace air cleaner element.
	Water or dirt in fuel.	Drain and refill with fresh, clean fuel.
	Engine running too hot.	Clean engine screen and fins.
	Air in fuel system.	Bleed air out of fuel system.
	Defective fuel pump.	Check fuel pump.
Power steering slow and/or front lift will not lift.	Oil level to low in transaxle	Check transaxle oil level and refill to proper oil level.
	Hydraulic oil filter dirty or plugged	Replace with O.E.M. filter.
	Low charge pump pressure.	See Steiner dealer for pump service.
Implement drive belt slips.	Drive belt tension need adjusting.	Adjust PTO drive belt tension (see page 24).
	Wrong size drive belt.	Use correct belt size.
	Excessive load on attachment drive system.	Check implement attachment for worn or damaged drive parts, blades, bearings, or excessive foreign material buildup.
Tractor will not move with engine running and Forward-Reverse foot pedals in forward or reverse position.	Parking brake set.	Release parking brake.
	Oil level to low in transaxle	Check transaxle oil level and refill to proper oil level.
	Hydraulic oil filter dirty or plugged.	Replace hydraulic oil filter with O.E.M. filter.
	Air leak in suction line.	Check for loose fittings or damaged suction line.
	Drive coupling failure.	Check drive coupling to determine if pump input shaft is turning.
	Pump control linkage failure.	Check pump control linkage and repair.
	Transaxle shift lever(s) in neutral.	Check transaxle shift lever(s). Be sure shift lever(s) is completely engaged in both transaxles.
	Low charge pump pressure or faulty hydrostatic system.	See Steiner dealer for pump service.
PTO will not run.	Operator not seated.	With Operator seated, restart PTO.
	Electrical problem.	See Steiner dealer for electrical service.
	Belt slipping.	Check for broken or wrong size engine drive belt.

STEINER BELT CHART												
MODEL	220	230	230 Diesel	235	410	415	420	430	440	425	525	UMA28
Tractor PTO Belt	81-A034 W/O E/Clutch 81-B033 W/ELC Mch	81-B055	81-B039	4165347	81-B039	81-B039	81-A038 SN 1801-2999 81-B038 SN 3000-5000	81-B039	81-B039	81-B042 W/O E/Clutch 81-B040 W/EL Clutch	81-B042	81-B029
MK, MW, MD, MX, Rotary mowers	81-A040 N/A	81-A040	81-B041	81-B041	81-A040	81-A040	81-A040	81-A040	81-A040	81-B041	81-B041	81-B040
Boom Mower	N/A	N/A	N/A	N/A	N/A	N/A	81-A040	81-A040	81-A040	81-B041	81-B041	N/A
TC444	N/A	N/A	N/A	N/A	N/A	N/A	81-A040	81-A040	81-A040	81-B041	81-B041	N/A
Tree Farm Mower	N/A	N/A	N/A	N/A	N/A	N/A	81-A040	81-A040	81-A040	81-B041	81-B041	N/A
RC466	81-A042 W/O E/Clutch	81-A040	81-B041	81-B041	81-A040	81-A040	81-A040	81-A040	81-A040	81-B041	81-B041	81-B040
Rough Cut Mower	81-A040 W/ELC Mch	81-A040	81-B041	81-B041	81-A040	81-A040	81-A040	81-A040	81-A040	81-B041	81-B041	81-B040
RM674 & 684	81-A045 W/O E/Clutch	81-A043	81-B043	81-B043	N/A	N/A	81-A043	81-A043	81-A043	81-B043 W/O E/Clutch 81-B042 W/EL Clutch	81-B043	81-B042
Reel Mowers	81-A043 W/ELC Mch	81-A043	81-B043	81-B043	N/A	N/A	81-A043	81-A043	81-A043	81-B043 W/O E/Clutch 81-B042 W/EL Clutch	81-B043	81-B042
CS312	N/A	N/A	N/A	N/A	N/A	N/A	81-B041	81-B041	81-B041	81-B041	81-B041	81-B040
Chipper Shredder	N/A	N/A	N/A	N/A	N/A	N/A	81-B041	81-B041	81-B041	81-B041	81-B041	81-B040
GN10KW Generator	81-B050	81-B050	81-B050	81-B050	81-B050	81-B050	81-B050	81-B050	81-B050	81-B050	81-B050	81-B050
LG300 Loader	N/A	N/A	N/A	N/A	N/A	N/A	81-A026	81-A026	81-A026	N/A	N/A	N/A
P8100 & P8200	81-A040 W/O E/Clutch	81-A040	81-B041	81-B041	81-A040	81-A040	81-A040	81-A040	81-A040	81-B041 W/O E/Clutch	81-B041	81-B040
Power Blower	81-A040 W/ELC Mch	81-A040	81-B041	81-B041	81-A040	81-A040	81-A040	81-A040	81-A040	81-B041 W/O E/Clutch	81-B041	81-B040
PR348	81-A045 W/O E/Clutch	81-A043	81-B043	81-B043	N/A	N/A	81-A043	81-A043	81-A043	81-B043 W/O E/Clutch	81-B043	81-B043
RE350 simall	81-A042 W/O E/Clutch	81-A040	81-B040	81-B040	81-A040	81-A040	81-A040	81-A040	81-A040	81-B041 W/O E/Clutch	81-B041	81-B040
Rotary Sweeper	81-A048 W/ELC Mch	81-A046	81-B046	81-B046	81-A046	81-A046	81-A046	81-A046	81-A046	81-B046 W/EL Clutch	81-B046	81-B044
RS454 large	81-A046 W/O E/Clutch	81-A046	81-B046	81-B046	81-A046	81-A046	81-A046	81-A046	81-A046	81-B046 W/EL Clutch	81-B046	81-B044
Rotary Sweeper	81-A046 W/ELC Mch	81-A046	81-B046	81-B046	81-A046	81-A046	81-A046	81-A046	81-A046	81-B046 W/EL Clutch	81-B046	81-B044
SB348 Snowblower	81-A055 W/O E/Clutch	81-A053	81-B051	81-B051	81-A053	81-A053	81-A053	81-A053	81-A053	81-B051 W/O E/Clutch	81-B051	81-B053
SN 1001-1713	81-A053 W/ELC Mch	81-A051	81-B051	81-B051	81-A051	81-A051	81-A051	81-A051	81-A051	81-B051 W/O E/Clutch	81-B051	81-B051
SB348 Snowblower	81-A051 W/ELC Mch	81-A051	81-B051	81-B051	81-A051	81-A051	81-A051	81-A051	81-A051	81-B051 W/EL Clutch	81-B051	81-B051
SN 1714-7570665	N/A	105803	105829	105829	105803	105803	105803	105803	105803			
SB448 Snowblower	N/A	105803	105829	105829	105803	105803	105803	105803	105803			
SB454 Snowblower	N/A	105803	105829	105829	105803	105803	105803	105803	105803			
SC101 Stump Cutler	N/A	N/A	N/A	N/A	81-A043	81-A043	81-A043	81-A043	81-A043	81-B045 W/O E/Clutch	81-B045	81-B042
TH300 Tractor	N/A	N/A	N/A	N/A	N/A	N/A	81-B050	81-B050	81-B050	81-B051 W/O E/Clutch	81-B051	81-B040
TL348 Tiller	81-A042 W/O E/Clutch	81-A040	81-B041	81-B041	81-A040	81-A040	81-A040	81-A040	81-A040	81-B041 W/O E/Clutch	81-B041	81-B040
VS242	81-A040 W/ELC Mch	81-A040	81-B041	81-B041	81-A040	81-A040	81-A040	81-A040	81-A040	81-B041 W/O E/Clutch	81-B041	81-B040
Vertical Auger	N/A	N/A	N/A	N/A	N/A	N/A	81-A027	81-A027	N/A	N/A	N/A	N/A

SCHILLER GROUNDS CARE, INC.
ONE BOB-CAT LANE
P.O. BOX 469
JOHNSON CREEK, WI 53038
920-699-2000
www.schillergc.com



©Schiller Grounds Care, Inc. 2010