



75-75025
450 24.8HP KUBOTA DIESEL
(S/N 0175 and higher)

75-75032
450 32.5HP KUBOTA GAS
(S/N 0136 and higher)

75-75037
450 37HP VANGUARD EFI GAS
(S/N 0143 and higher)



MAN 4174470
Rev. B 07-2017

PARTS MANUAL 4174453

 **SCHILLER** GROUNDS CARE

PARTS MANUAL

**CALIFORNIA
Proposition 65 Warning**

Diesel engine exhaust and some of its constituents are known to the State of California to cause cancer, birth defects and other reproductive harm.

 **WARNING**

The engine exhaust from this product contains chemicals known to the State of California to cause cancer, birth defects or other reproductive harm.

**Californie Proposition 65
Avertissement**

Les échappements des moteurs diesel et certains de leurs composés sont reconnus par l'Etat de Californie pour être cancérigènes, provoquer des défauts congénitaux et d'autres dangers en matière de reproduction.

 **AVERTISSEMENT**

L'émission du moteur de ce matériel contient des produits chimiques que l'Etat de Californie considère être cancérigènes, provoquer des défauts congénitaux et d'autres dangers en matière de reproduction.

**California Advertencia
de la Proposicion 65**

El estado de California hace saber que los gases de escape de los motores diesel y algunos de sus componentes producen cáncer, defectos de nacimiento y otros daños en el proceso de reproducción humana.

 **ADVERTENCIA**

El estado de California hace saber que los gases de escape de este producto contienen productos químicos que producen cáncer, defectos de nacimiento y otros daños en el proceso de reproducción humana.

**CALIFORNIA
Proposition 65 Warning**

Battery posts, terminals, wiring insulation, and related accessories contain lead and lead compounds, chemicals known to the State of California to cause cancer and birth defects or other reproductive harm.
WASH HANDS AFTER HANDLING.

IMPORTANT MESSAGE

Thank you for purchasing this Schiller Grounds Care, Inc. product. You have purchased a world class product, one of the best designed and built anywhere.

This machine comes with an Owner / Operator's Manual and an Illustrated Parts Manual. The useful life and good service you receive from this machine depends to a large extent on how well you read and understand these manuals. Treat your machine properly, lubricate and adjust it as instructed, and it will give you many years of reliable service.

Your safe use of this Schiller Grounds Care, Inc. product is one of our prime design objectives. Many safety features are built in, but we also rely on your good sense and care to achieve accident-free operation. For best protection, study the manuals thoroughly. Learn the proper operation of all controls. Observe all safety precautions. Follow all instructions and warnings completely. Do not remove or defeat any safety features. Make sure those who operate this machine are as well informed and careful in its use as you are.

See a Schiller Grounds Care, Inc. dealer for any service or parts needed. Schiller Grounds Care, Inc. service ensures that you continue to receive the best results possible from Schiller Grounds Care, Inc. products. You can trust Schiller Grounds Care, Inc. replacement parts because they are manufactured with the same high precision and quality as the original parts.

Schiller Grounds Care, Inc. designs and builds its equipment to serve many years in a safe and productive manner. For longest life, use this machine only as directed in the manuals, keep it in good repair and follow safety warnings and instructions. You'll always be glad you did.

Schiller Grounds Care, Inc.
One Bob Cat Lane
Johnson Creek, WI 53038-0469

TABLE OF CONTENTS	FIGURES.....	PAGE
TABLE OF CONTENTS.....		2
SAFETY.....		3
KUBOTA DIESEL ENGINE ASSEMBLY.....	FIGURE 1.....	4, 5
KUBOTA GAS ENGINE ASSMBLY.....	FIGURE 2.....	6, 7
VANGUARD EFI ENGINE ASSEMBLY.....	FIGURE 3.....	8, 9
KUBOTA ENGINE COOLING SYSTEM.....	FIGURE 4.....	10, 11
VANGUARD OIL COOLER ASSEMBLY.....	FIGURE 5.....	12, 13
DIESEL FUEL TANK ASSEMBLY.....	FIGURE 6.....	14, 15
GAS FUEL TANK ASSEMBLY.....	FIGURE 7.....	16, 17
FUEL LINE SCHEMATICS.....	FIGURE 8.....	18, 19
FRONT FRAME & GAUGE PANEL ASSY.....	FIGURE 9.....	20, 21
FRONT ASSEMBLY.....	FIGURE 10.....	22, 23
HOOD AND GRILL ASSEMBLY.....	FIGURE 11.....	24, 25
BATTERY COMPARTMENT.....	FIGURE 12.....	26, 27
BATTERY COMPARTMENT HYDRAULICS.....	FIGURE 13.....	28, 29
DIESEL - ELECTRIC CONTROL.....	FIGURE 14.....	30, 31
GAS - ELECTRIC CONTROL.....	FIGURE 15.....	32, 33
FRONT AXLE & WHEELS.....	FIGURE 16.....	34, 35
FRONT AXLE SUPPORT ASSEMBLY.....	FIGURE 17.....	36, 37
REAR AXLE & WHEELS.....	FIGURE 18.....	38, 39
REAR AXLE SUPPORT ASSEMBLY.....	FIGURE 19.....	40, 41
FORWARD - REVERSE PEDAL ASSY.....	FIGURE 20.....	42, 43
HYDRO PUMP ASSEMBLY.....	FIGURE 21.....	44, 45
SHIFTER ASSEMBLY.....	FIGURE 22.....	46, 47
BRAKE ASSEMBLY.....	FIGURE 23.....	48, 49
PTO DRIVE ASSEMBLY.....	FIGURE 24.....	50, 51
FRONT HITCH LIFT ASSEMBLY.....	FIGURE 25.....	52, 53
SEAT ASSEMBLY.....	FIGURE 26.....	54, 55
DECALS.....	FIGURE 27 & 28.....	56 -59
PEERLESS TRANSAXLE.....	FIGURE 29.....	60, 61
HYDRAULIC HOSES / SCHEMATIC.....	FIGURE 30.....	62, 63
COMMON ELECTRICAL.....	FIGURE 31.....	64, 65
VANGUARD EFI GAS FRONT ELECTRICAL HARNESS.....	FIGURE 32.....	66, 67
VANGUARD EFI GAS ELECTRICAL SCHEMATIC.....	FIGURE 33.....	68, 69
KUBOTA GAS FRONT ELECTRICAL HARNESS.....	FIGURE 34.....	70, 71
KUBOTA GAS ELECTRICAL SCHEMATIC.....	FIGURE 35.....	72, 73
KUBOTA DIESEL FRONT ELECTRICAL HARNESS.....	FIGURE 36.....	74, 75
KUBOTA DIESEL ELECTRICAL SCHEMATIC.....	FIGURE 37.....	76, 77
ROPS.....	FIGURE 38.....	78
DUAL WHEEL KIT.....	FIGURE 39.....	79
WEIGHT KIT.....	FIGURE 40.....	80
WHEEL SPACER KIT.....	FIGURE 41.....	81

NOTICE !!!

Unauthorized modifications may present **extreme** safety hazards to operators and bystanders and could also result in product damage.

Schiller Grounds Care, Inc. strongly warns against, rejects and disclaims any modifications, add-on accessories or product alterations that are not designed, developed, tested and approved by Schiller Grounds Care, Inc.'s Engineering Department. Any Schiller Grounds Care, Inc. product that is altered, modified or changed in any manner not specifically authorized after original manufacture—including the addition of “after-market” accessories or component parts not specifically approved by Schiller Grounds Care, Inc.—will result in the Schiller Grounds Care, Inc. Warranty being voided.

Any and all liability for personal injury and/or property damage caused by any unauthorized modifications, add-on accessories or products not approved by Schiller Grounds Care, Inc. will be considered the responsibility of the individual(s) or company designing and/or making such changes. Schiller Grounds Care, Inc. will vigorously pursue full indemnification and costs from any party responsible for such unauthorized post-manufacture modifications and/or accessories should personal injury and/or property damage result.



This symbol means:
ATTENTION!
BECOME ALERT!

Your safety and the safety of others is involved.

Signal word definitions:

The signal words below are used to identify levels of hazard seriousness. These words appear in this manual and on the safety labels attached to Schiller Grounds Care, Inc. machines. For your safety and the safety of others, read and follow the information given with these signal words and/or the symbol shown above.

DANGER

DANGER indicates an imminently hazardous situation which, if not avoided, **WILL** result in death or serious injury.

WARNING

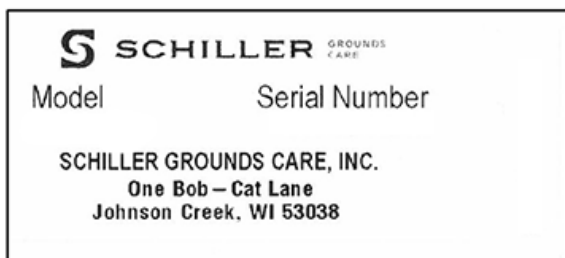
WARNING indicates a potentially hazardous situation which, if not avoided, **COULD** result in death or serious injury.

CAUTION

CAUTION indicates a potentially hazardous situation which, if not avoided, **MAY** result in minor or moderate injury. It may also be used to alert against unsafe practices or property damage.

CAUTION

CAUTION used without the safety alert symbol indicates a potentially hazardous situation which, if not avoided, **MAY** result in property damage.



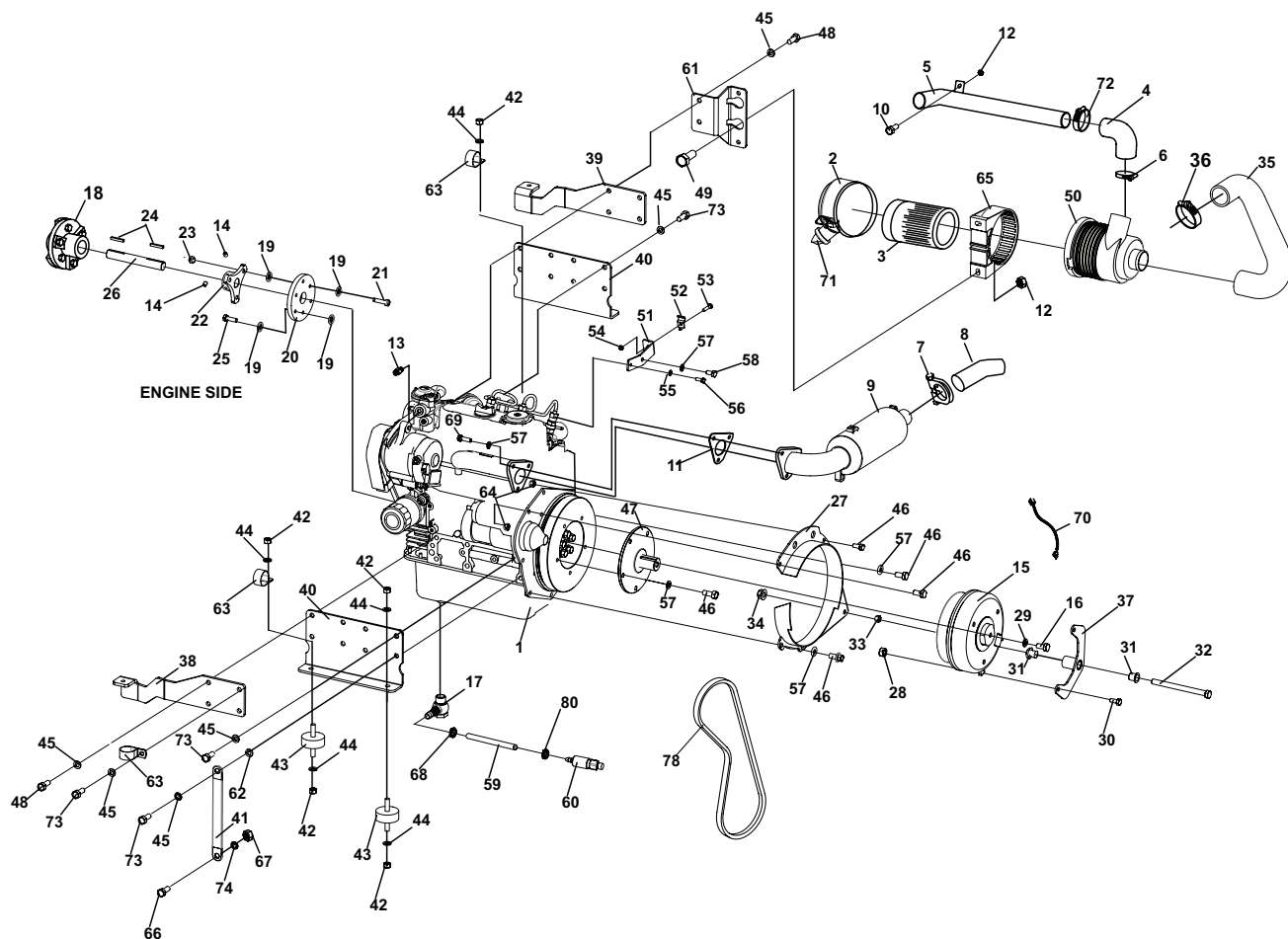
MODEL NUMBER: This number appears on sales literature, technical manuals and price lists.

SERIAL NUMBER: This number appears only on your tractor. It contains the model number followed consecutively by the serial number. Use this number when ordering parts or seeking warranty information.

KUBOTA DIESEL ENGINE ASSEMBLY

STEINER 450

FIGURE 1



STEINER 450

KUBOTA DIESEL ENGINE ASSEMBLY

FIGURE 1

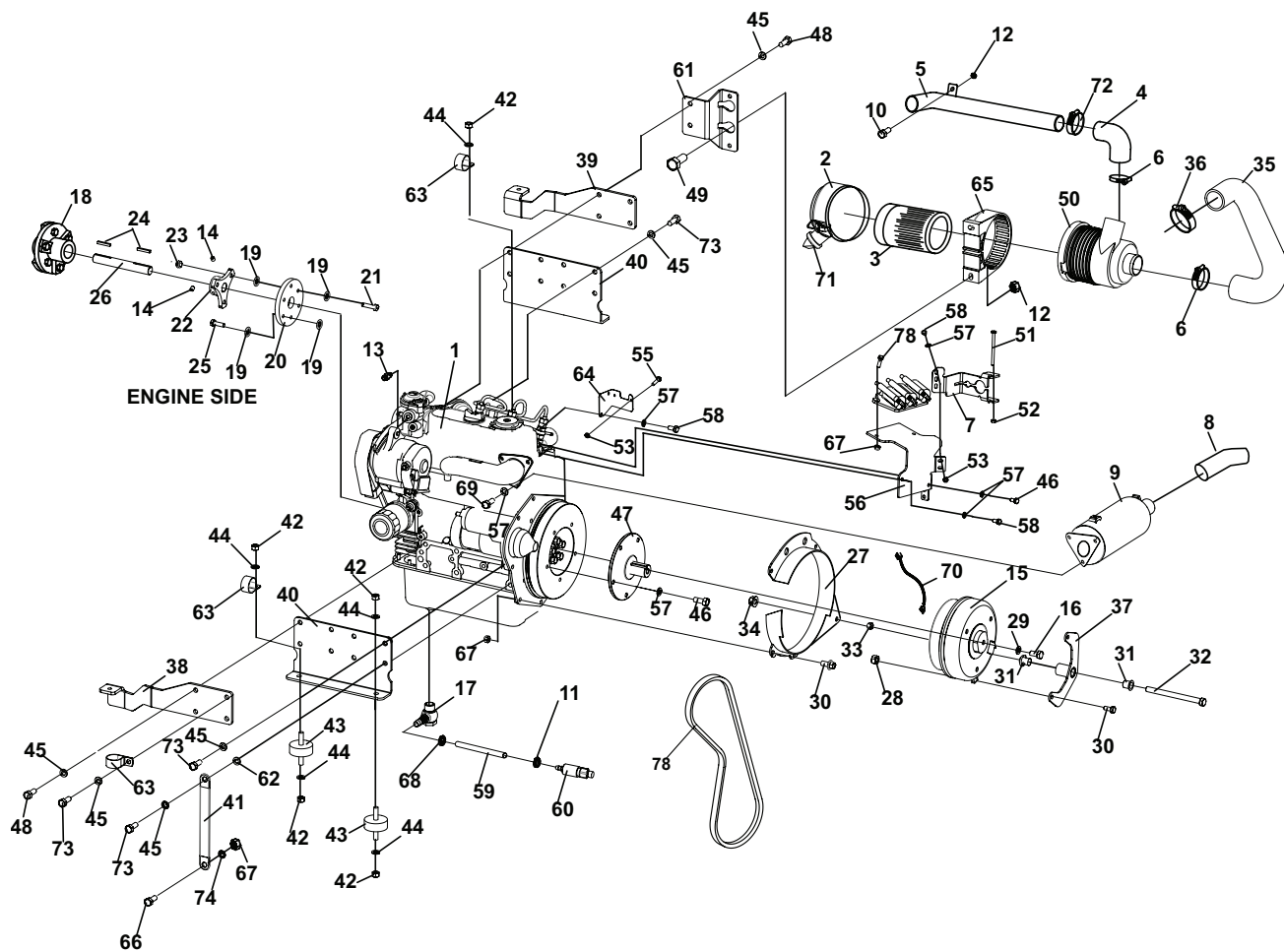
ITEM	PART NO.	DESCRIPTION	QTY	ITEM	PART NO.	DESCRIPTION	QTY
1	4166483	ENG-KUBOTA DIESEL DH902	1	48	64206-08	BLT-M10-1.25 X 30	7
*>	16851-65512	GLOW PLUG	1	49	64139-31	BLT-WLFS 5/16-18 X 1	2
*>	16001-53002	INJECTOR	1	50	4166483-25	AIR CLEANER ASSY	1
*>	16241-46012	ALTERNATOR	1	51	4166745.7	BRKT-THROTTLE CABLE	1
*>	16824-63010	STARTER	1	52	111898	CLAMP-CABLE	1
*>	70000-00770	KIT-BLOCK HEATER	1	53	64152-49	SCREW-#10-24 X 3/4	1
*	4166483-21	OIL FILTER	1	54	64025-15	NUT-KEPS #10-24	1
*>	1G662-52030	FUEL PUMP	1	55	64006-01	WSHR-LCK HELICAL 1/4	1
*>	16264-74110	FAN	1	56	64205-021	BLT-M6-1 X 16	1
*>	15881-97010	FAN BELT	1	57	64006-02	WSHR-LCK HELICAL 1/4	8
2	4165658-02	COVER-AIR CLEANER 4"	1	58	64205-018	BLT-M8-1.25 X 15	1
3	4166483-24	ELEMENT, AIR CLEANER 4"	1	59	138058-09	HOSE .50IDX.84ODX57"	1
4	4166776	HOSE-AIR INTAKE	1	60	4167213	VALVE-OIL DRIAN	1
5	13-042.7	TUBE-AIR INTAKE	1	61	4166369.7	BRKT-MNTNG, AIR CLEANER	1
6	108094-10	CLAMP-HOSE SAE28	1	62	99-G04	WASHER-STAR	2
7>	66711-54421	CLAMP-MUFFLER EXT	1	63	48228-2A	CLAMP- 3/4 CLIP	4
8>	66711-54411	PIPE-MUFFLER EXT	1	64	64237-05	LOCKNUT-NYLON M8-1.25	2
9>	12583-12110	MUFFLER-KUBOTA	1	65	4166483-30	BRACKET-AIR CLNR ASSY	1
10	64139-08	BOLT-5/16-18X3/4	3	66	64123-68	BLT-HEX 5/16-18X1	1
11>	15852-12230	GASKET-MUFFLER	1	67	64229-02	NUT-NYLON LOCK 5/16-18	1
12	64141-6	NUT-WLF 5/16-18	3	68	108094-06	SMALL HOSE CLAMP	1
13	4166805	SENDER-TEMPERATURE	1	69	64205-003	BLT-METRIC M8-1.25X30	3
14	64044-2	SET SCREW-5/16-18 X 3/8	4	70	2720949	PIGTIAL-CLUTCH	1
15	4167497	CLUTCH-ELECTRIC 225	1	71	4166483-23	VALVE-RUBBER AIRCLNR	1
16	64123-78	BLT-7/16-20 X 2 1/2	1	72	108094-11	CLAMP-HOSE SAE24	1
17	4167248	FITTING-BANJO M22	1	73	64206-04	BLT-M10-1.25 X 25	5
18	4172336	COUPLING-DBL END 3/4&7/8	1	74	64002-04	LOCKWASHER EXT. 5/16	2
19	99-B27	WASHER-BEADED, 5/16"	12	75*	2308095	COVER, TERMINAL	2
20	87-142	DISC-WEASLER	1	76*	64207-06	NUT	1
21	91-0510	BOLT, 5/16-24x1-1/4	3	77*	4167659	THROTTLE, STOP	1
22	87-112	COUPLER FLANGE	1	78	4170315	BELT-5L X 44.00 LRG CORD	1
23	64229-08	LOCKNUT-NYLON 5/16-24	3	79*	64006-01	WSHR-LCK	1
24	64164-11	KEY-3/16X3/16X1-1/4 SQ	2	80	88042-05	CLAMP-HOSE 13/16	1
25	64205-081	BLT-MET M8-1.25x25	3	81*	4167659	THROTTLE STOP BARREL	1
26	4166320	SHAFT, PUMP DRIVE	1				
27	4166782.7	GUARD-FLYWHEEL	1				
28	64268-02	NUT-FL NY LOCK 5/16-18	5				
29	64006-06	WSHR-HELICAL LOCK 7/16	1				
30	64123-54	BLT-HEX 5/16-18 X 3/4	2				
31	38304-03	BEARING-FLANGED	2				
32	64123-295	BLT-HEX 7/16-14 X 5-1/2	1				
33	64025-42	NUT-HEX 7/16-13	1				
34	64229-04	NUT-NYLON LOCK 7/16-14	1				
35	4166401	HOSE, AIR INTAKE	1				
36	108094-01	CLAMP, HOSE #20	1				
37	4165570.7	CLUTCH STOP	1				
38	4166534.7	BRKT-RADITR MNTG RH	1				
39	4166535.7	BRKT-RADITR MNTG LH	1				
40	4165988.7	PLATE-ENG. MOUNT	2				
41	30-291	STRAP-GROUND	1				
42	64025-05	NUT-HEX 3/8-16	8				
43	05-006	ISOLATOR-MOTOR	4				
44	64006-03	WASHR-HELICAL LCK 3/8	9				
45	64006-18	WSHR-LOCK M10	13				
46	64205-001	BLT-M8-1.25 X 25	9				
47	4167657	SHAFT-PTO	1				

*** NOT ILLUSTRATED
>AVAILABLE THROUGH KUBOTA**

KUBOTA GAS ENGINE ASSEMBLY

STEINER 450

FIGURE 2



STEINER 450

KUBOTA GAS ENGINE ASSEMBLY

FIGURE 2

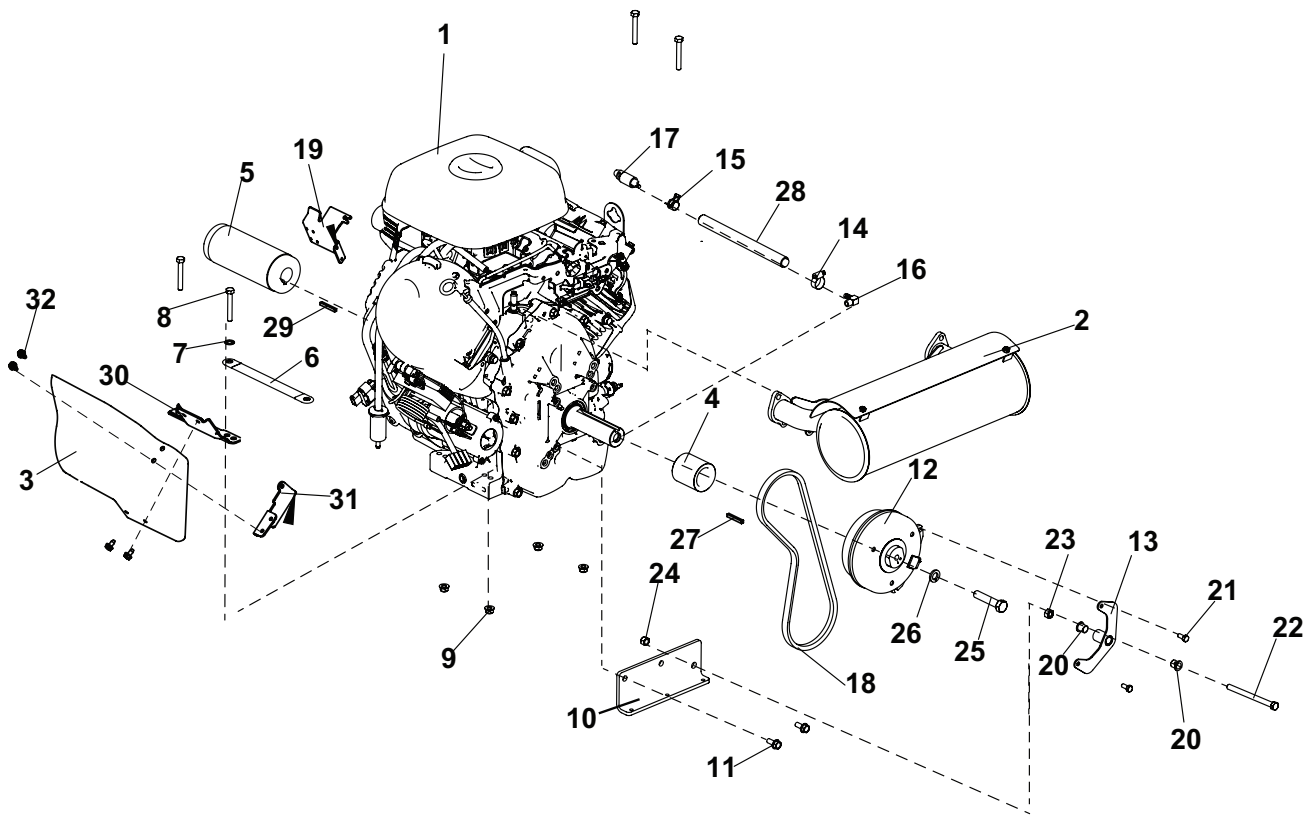
ITEM	PART NO.	DESCRIPTION	QTY	ITEM	PART NO.	DESCRIPTION	QTY
1	4168199	GAS ENGINE KUBOTA	1	48	64206-08	BLT-M10-1.25 X 30	8
*>	E9151-67710	SPARK PLUG	1	49	64139-31	BLT-WLFS 5/16-18 X 1	2
*>	16241-64012	ALTERNATOR	1	50	4166483-25	AIR CLEANER ASSY	1
*>	EG531-44012	CARBURETOR	1	51	64123-296	BLT-1/4-20 X 3 1/4	1
*>	67980-31150	STARTER	1	52	64151-17	NUT-HEX 1/4-20 CTR LOCK	1
*	4166483-21	OIL FILTER	1	53	64229-01	NUT-1/4-20	4
*>	EG601-52030	FUEL PUMP	1	54	64163-03	WSHR-.256IDX.62ODX18GA	2
*>	16264-74110	FAN	1	55	64123-89	BOLT-1/4-20 X 3/4	4
*>	15881-97010	FAN BELT	1	56	4171061.7	BRCKT-COIL	1
*>	EG651-46923	REGULATOR	1	57	64006-02	WSHR-LCK HELICAL 1/4	14
				58	64205-018	BLT-M8-1.25 X 15	6
2	4165658-02	COVER-AIR CLEANER 4"	1	59	27-017-01	HOSE-3/8 CUT 16"	1
3	4166483-24	ELEMENT, AIR CLEANER 4"	1	60	4164251	VALVE-OIL DRIAN	1
4	4166776	HOSE-AIR INTAKE	1	61	4166369.7	BRKT-MNTNG, AIR CLEANER	1
5	13-042.7	TUBE-AIR INTAKE	1	62	99-G04	WASHER-STAR	1
6	108094-10	CLAMP-HOSE SAE28	2	63	48228-2A	CLAMP- 3/4 CLIP	4
7	4167212.7	BRCKT-STABILIZER	1	64	4167317.7	BRKT-IGNITION MODULE	1
8>	66711-54411	PIPE-MUFFLER EXT	1	65	4166483-30	BRACKET-AIR CLNR ASSY	1
9>	4166484-05	MUFFLER-KUBOTA	1	66	64123-68	BLT-5/16-18X1	5
10	64139-08	BOLT-5/16-18X3/4	1	67	64229-02	NUT-NYLON LOCK 5/16-18	7
11	88042-03	CLAMP-HOSE 5/8	1	68	11-017	CLAMP-SMALL HOSE	1
12	64141-6	NUT-WLF 5/16-18	3	69	64205-003	BLT-METRIC M8-1.25X30	3
13	4166805	SENDER-TEMPERATURE	1	70	2720949	PIGTIAL-CLUTCH	1
14	64044-2	SET SCREW-5/16-18 X 3/8	4	71	4166483-23	VALVE-RUBBER AIRCLNR	1
15	4167497	CLUTCH-ELECTRIC 225	1	72	108094-11	CLAMP-HOSE SAE24	1
16	64123-78	BLT-HEX 7/16-20X2-1/2	1	73	64206-04	BLT-M10-1.25 X 25	5
17	4174890	FITTING-BANJO 12 X 3/8	1	74	64002-04	LOCKWASHER EXT. 5/16	1
18	4172336	COUPLING-DBL END 3/4&7/8	1	75*	2308095	COVER, TERMINAL	2
19	99-B27	WASHER-BEADED, 5/16"	12	76*	64207-06	NUT	1
20	87-142	DISC-WEASLER	1	77*	4167659	THROTTLE, STOP	1
21	91-0510	BOLT, 5/16-24x1-1/4	3	78*	64006-01	WSHR-LCK	1
22	87-112	COUPLER FLANGE	1				
23	64229-08	LOCKNUT-NYLON 5/16-24	6				
24	64164-11	KEY-3/16X3/16X1-1/4 SQ	2				
25	64205-081	BLT-MET M8-1.25x25	3				
26	4166320	SHAFT, PUMP DRIVE	1				
27	4166782.7	GUARD-FLYWHEEL	1				
28	64268-02	NUT-FL NY LOCK 5/16-18	5				
29	64006-06	WSHR-HELICAL LOCK 7/16	1				
30	64123-54	BLT-HEX 5/16-18 X 3/4	6				
31	38304-03	BEARING-FLANGED	2				
32	64123-295	BLT-HEX 7/16-14 X 5-1/2	1				
33	64025-42	NUT-HEX 1/2-13	1				
34	64229-04	NUT-NYLON LOCK 7/16-14	1				
35	4166709	HOSE, AIR INTAKE	1				
36	108094-01	CLAMP, HOSE #20	1				
37	4165570.7	CLUTCH STOP	1				
38	4166534.7	BRKT-RADITR MNTG RH	1				
39	4166535.7	BRKT-RADITR MNTG LH	1				
40	4165988.7	PLATE-ENG. MOUNT	2				
41	30-291	STRAP-GROUND	1				
42	64025-05	NUT-HEX 3/8-16	9				
43	05-006	ISOLATOR-MOTOR	4				
44	64006-03	WASHR-HELICAL LCK 3/8	9				
45	64006-18	WSHR-LOCK M10	13				
46	64205-001	BLT-M8-1.25 X 25	16				
47	4167657	SHAFT-PTO	1				

*** NOT ILLUSTRATED
>AVAILABLE THROUGH KUBOTA**

VANGUARD EFI ENGINE ASSEMBLY

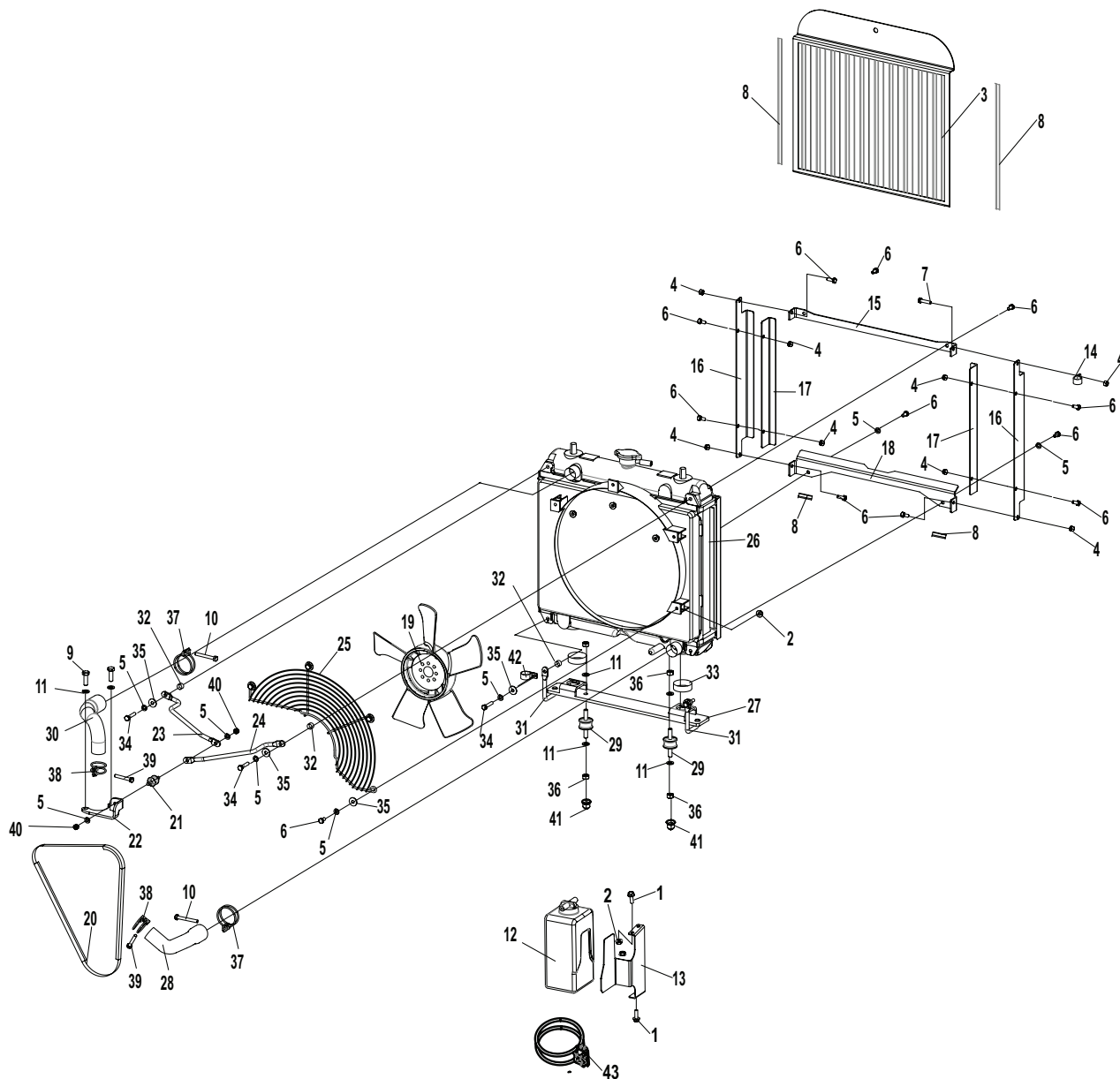
STEINER 450

FIGURE 3



ITEM	PART NO.	DESCRIPTION	QTY	ITEM	PART NO.	DESCRIPTION	QTY
1	4173544	ENGINE-BRIGGS 37 HP INCLUDES ITEM 2	1	15	88042-05	CLAMP-HOSE 13/16	1
1	4174581	S-VANGUARD OIL FILTER NOT ILLUSTRATED	1	16	4164939-02	FITTING-ELBOW, 90 MNPT	1
1	4174580	S-VANGUARD FUEL FILTER NOT ILLUSTRATED	1	17	4167213	DRAIN VALVE	1
1	4174579	S-VANGUARD PRE-CLEANER NOT ILLUSTRATED	1	18	4170315	BELT-5L X 44.00 LRG Ø	1
1	4174578	S-VANGUARD PAPER AIR FILTER NOT ILLUSTRATED	1	19	4174351.7	BRKT-BRIGGS WIRE COVER	1
2	846681	MUFFLER-BRIGGS EFI 37 HP OBTAIN FROM BRIGGS	1	20	38304-03	BEARING-FLANGED PLASTIC	2
3	4173687	COVER-ENGINE BRIGGS	1	21	64123-54	BLT-HEX 5/16-18 X .75	2
4	4172132	SPACER - CLUTCH BRIGGS	1	22	64123-295	BLT-HEX 7/16-14 X 5-1/2	1
5	4172127	COUPLING-DRIVE PUMP	1	23	64025-42	NUT-HEX 7/16-14	1
6	30-291	STRAP BRAIDED GROUND	1	24	64229-04	NUT-NYLON LOCK 7/16-14	1
7	99-G04	SHAKEPROOF WASHER 3/8IN	1	25	64123-133	BLT-HEX 5/8-18X3	1
8	64123-64	BLT-HEX 5/16-18X2-1/4	4	26	64006-04	LOCKWSHR-5/8 HELICAL	1
9	64268-02	NUT-FL NYLON LOCK 5/16-18	4	27	64164-13	KEY 1/4 X 2 SQ	1
10	4172499.7	BRKT-CLUTCH ANTI-ROTATE	1	28	138058-05	HOSE-.50 X .84X 24"	1
11	64139-01	BLT-WLF 5/16-24 X 3/4	2	29	64164-26	KEY-SQ 3/8 X 1-1/2	1
12	4169087	CLUTCH-ELECT250 1.44 WARNER	1	30	4173688	BRKT-BRIGGS P/N 846292	1
13	4165570.7	WLDMNT-CLUTCH STOP	1	31	4173690	BRKT-BRIGGS P/N 846488	1
14	108094-06	CLAMP-HOSE SAE10	1	32	4173695	SCREW-BRIGGS P/N 805448	6

FIGURE 4

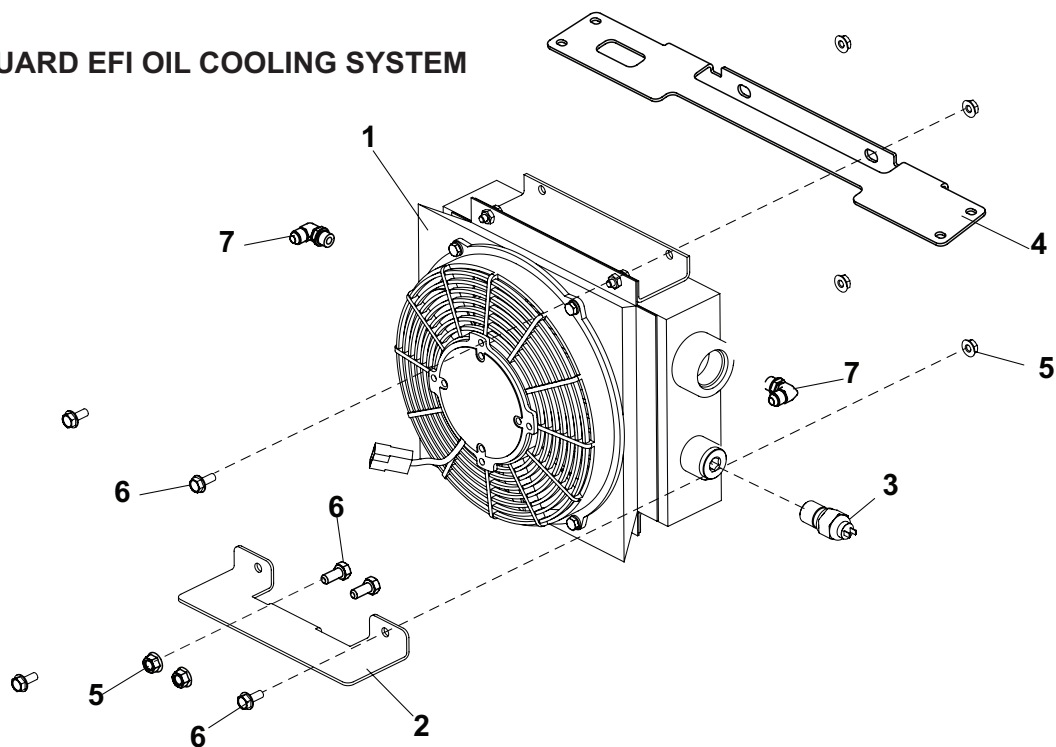


ITEM	PART NO.	DESCRIPTION	QTY	ITEM	PART NO.	DESCRIPTION	QTY
1	64139-02	BLT-WLF 1/4-20 X 3/4	3	31>	1G952-30820	S-STOPPER, RADIATOR	2
2	64141-2	NUT-WLF 5/16-18	7	32>	12556-67860	S-COLLAR	4
3	60-646.7	RADIATOR SCREEN ASM	1	33>	1G952-72180	S-CUSHION	2
4	64237-02	LOCKNUT-NYLON M6-1.00	8	34	64205-048	BLT-METRIC M6-1X30	4
5	64006-01	LOCKWSHR-1/4 HELICAL	12	35	64251-002	WSHR-M6	8
6	64205-013	BLT-METRIC M6-1X12	12	36	64207-01	NUT-HEX M8-1.25	4
7	64205-021	BLT-METRIC M6-1X16	3	37>	09318-89039	S-CLAMP	2
8	56-046-02	TRIM-LOC 12"	3	38>	09318-89030	S-CLAMP	2
9	64205-081	BLT-METRIC M8-1.25x25	2	39	64205-030	BLT-METRIC M6-1.00X40	2
10	64205-023	BLT-METRIC M6-1.00X50	2	40	64207-06	NUT-HEX M6-1	2
11	64006-02	LOCKWSHR-5/16 HELICAL	6	41	4169770	CAP-5/16 VINYL	2
12	13-036	BOTTLE-COOLANT W/CAP	1	42	48412-01	CLIP-CABLE, 3/4	1
13	4166972.7	MOUNT-RESEVOIR	1	43	11-049	CLAMP-HOSE, 4 1/4	1
14	48228A	CLIP-CABLE, INSULATED	1				
15	4166705.7	BRKT-RADTR MNT, TOP	1				
16	4166707.7	GUIDE-RADTR, OTR	2				
17	4166708.7	GUIDE-RADTR, INNR	2				
18	4166706.7	BRKT-RADTOR MNT, BTM	1				
19>	16264-74112	FAN	1				
20>	15881-97010	BELT-FAN	1				
21>	1G930-72190	S-CUSHION 1	1				
22>	1G952-72170	S-RADIATOR STAY 2	1				
23>	1G960-72140	S-SUPPORT EX, RADIATOR	1				
24>	1G960-72130	S- SUPPORT IN, RADIATOR	1				
25>	1G639-74120	S-COVER, FAN	1				
26>	1G952-72001	S-RADIATOR	1				
27>	1G952-72150	S-STAY	1				
28>	1G952-72850	S-HOSE, WATER	1				
29>	1G932-72190	S-CUSHION 2	2				
30>	1G952-72940	S-HOSE, WATER	1				

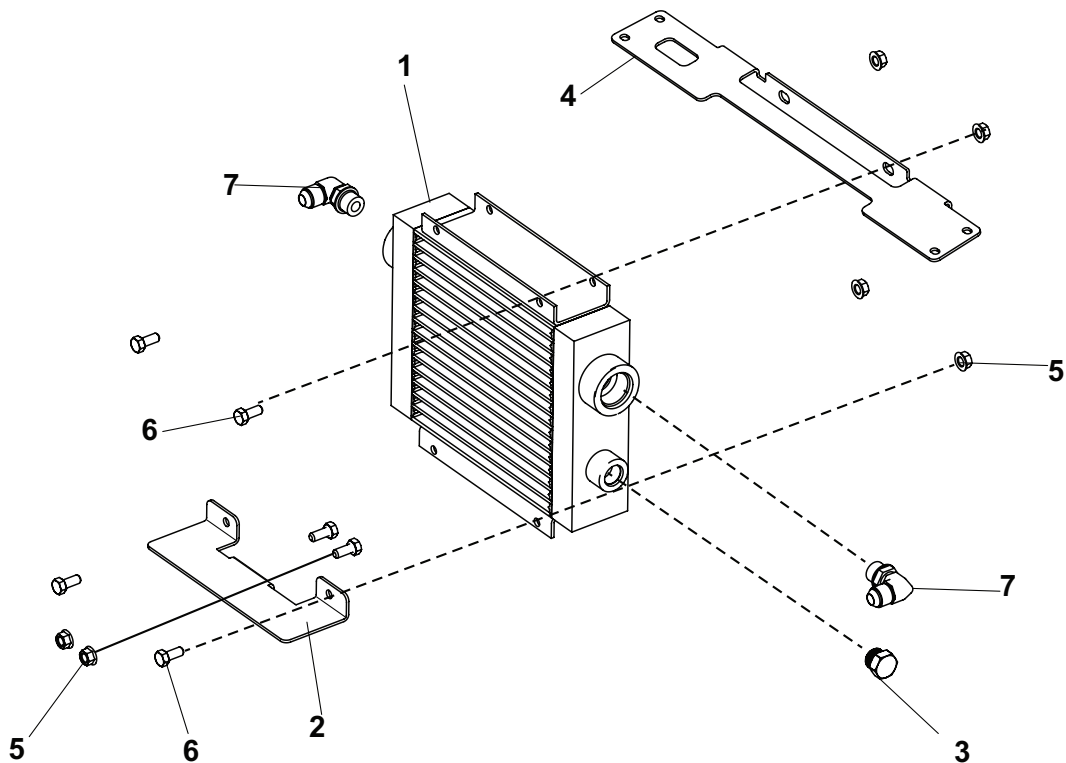
* NOT ILLUSTRATED
>AVAILABLE THROUGH
KUBOTA

FIGURE 5

VANGUARD EFI OIL COOLING SYSTEM



KUBOTA DIESEL & GAS OIL COOLING SYSTEM

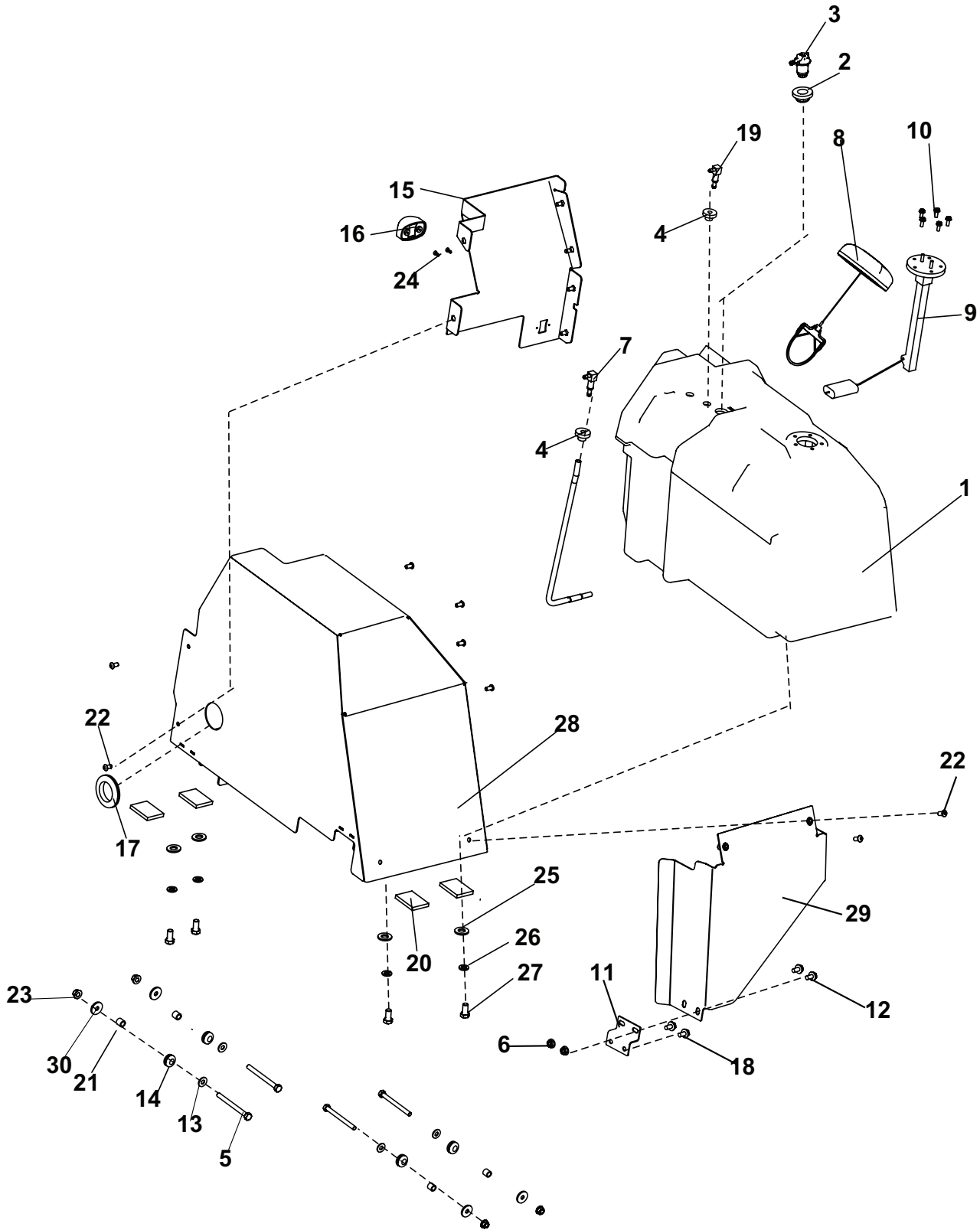


ITEM	PART NO.	DESCRIPTION	QTY	ITEM	PART NO.	DESCRIPTION	QTY
VANGUARD OIL COOLING ASSEMBLY							
1	4173545	OIL COOLER-AIR COOLED VANGUARD	1				
2	4172555.7	BRKT-BOTTOM, COOLER MA-4	1				
3	4173705	SWITCH, TEMP 130F	1				
4	4172554.7	BRKT-OIL COOLER MNTG, TOP	1				
5	64141-6	NUT-WLF 5/16-18	6				
6	64123-54	BLT-WLF 5/16-18X3/4	6				
7	25-2503-8-8	FITTING 90 -8 MORB X -8 MJIC	2				
KUBOTA OIL COOLING ASSEMBLY							
1	4173279	OIL COOLER-LIQUID COOLED KUBOTA	1				
		INCLUDES ITEM 3					
2	4172555.7	BRKT-BOTTOM, COOLER MA-4	1				
3	25-05CP-8	FITTING PLUG -8 M ORB	1				
4	4172554.7	BRKT-OIL COOLER MNTG, TOP	1				
5	64141-6	NUT-WLF 5/16-18	6				
6	64123-54	BLT-WLF 5/16-18X3/4	6				
7	25-2503-8-8	FITTING 90 -8 MORB X -8 MJIC	2				

DIESEL FUEL TANK ASSEMBLY

STEINER 450

FIGURE 6

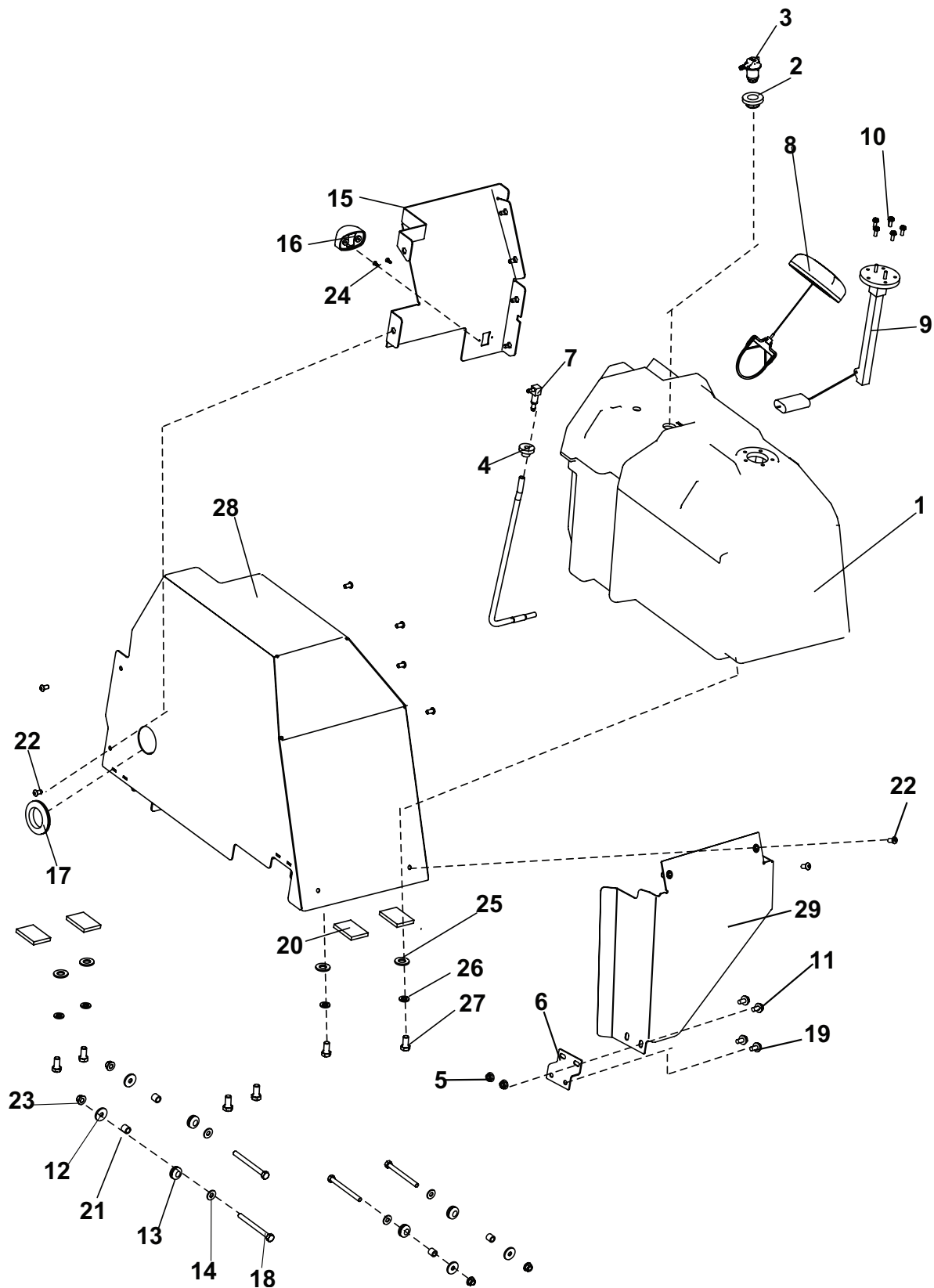


ITEM	PART NO.	DESCRIPTION	QTY	ITEM	PART NO.	DESCRIPTION	QTY
1	4173970	S-TANK-DIESEL FUEL	1				
2	4165387	GROMMET, ROLL-OVER VENT	1				
3	4165763	TANK VENT	1				
4	4132325	GROMMET-SEALING	2				
5	64123-66	BLT-HEX HD 5/16-18 X 3.5	4				
6	64141-2	NUT-WLF 1/4-20	2				
7	4167010	ELBOW CONNECTOR 1/4"	1				
8	4173972	FUEL CAP-GAS, NON-VENTING	1				
9	4166906	SENDER-FUEL LEVEL	1				
10	64152-46	SCREW-SLT HH 10-24X1/2	5				
11	4166681.7	BRKT-MOUNT, FENDER	1				
12	64139-02	BLT-WLF 1/4-20X1/2	2				
13	64163-29	WSHR-21/64 X 1 X 11GA	4				
14	4162989-001	HOSE, FUEL 3/16 INCH (11.5" L)	1				
15	4174499	S-PANEL, TANK, END PLATE	1				
16	4173543	TAIL LIGHT - LED	1				
17	148034-10	GROMMET	1				
18	64197-025	BLT-TDFM 1/4-20X5/8	2				
19	4173992	FITTING-BARBED 90DEG	1				
20	4166642-01	PAD-RUBBER, TANK SUPPORT	4				
21	4167023	SPACER, .5 O.D. X .470LG	4				
22	64218-10	SCREW 1/4-20 X 1/2	8				
23	64268-02	NUT-FL NYLON LOCK 5/16-18	4				
24	64152-87	SCREW-6-32 X 3/8 S-TAP TORX	2				
25	64163-31	WSHR 25/64X1X12	4				
26	64006-03	LOCKWSHR-3/8 HELICAL	4				
27	64123-15	BLT-HEX 3/8-16X3/4	4				
28	4174483	S-WLDMT,ENCLOSURE, TANK	1				
29	4174490	S-FENDER FRONT, LH	1				
30	64163-55	WSHR .328X.75X14 GA	4				
31	4167024	GROMMET, 5/16 BOLT	4				

GAS FUEL TANK ASSEMBLY

STEINER 450

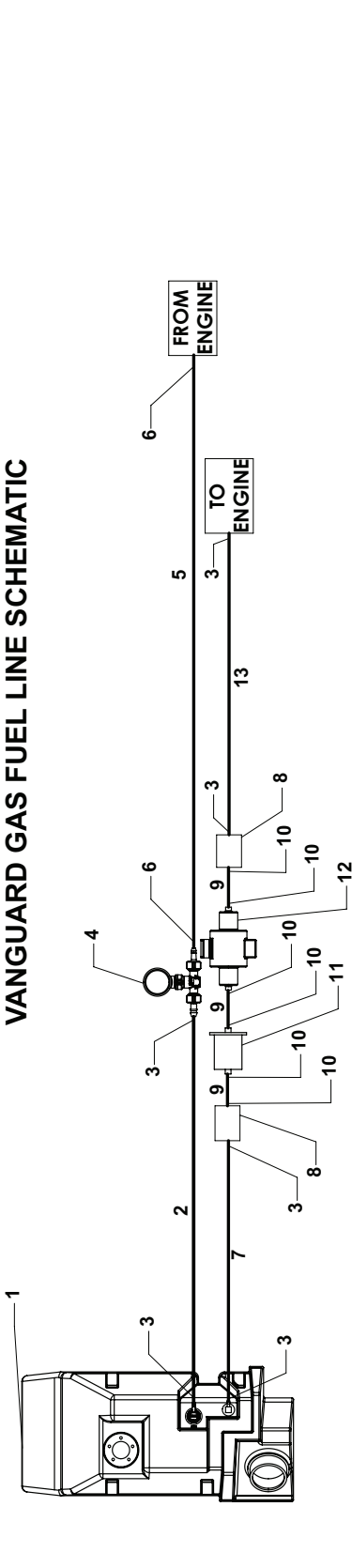
FIGURE 7



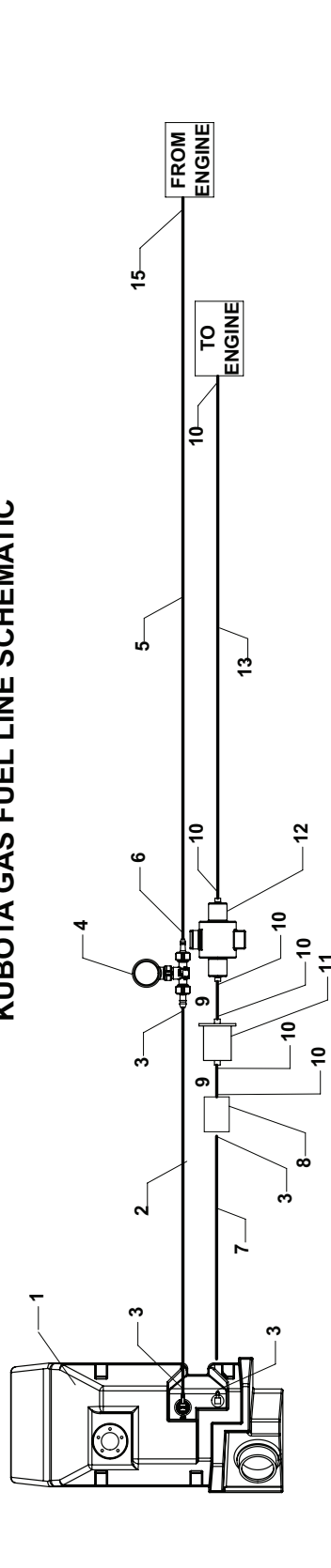
ITEM	PART NO.	DESCRIPTION	QTY	ITEM	PART NO.	DESCRIPTION	QTY
1	4173075	TANK, FUEL	1				
2	4165387	GROMMET, ROLL-OVER VENT	1				
3	4165763	TANK VENT	1				
4	4132325	GROMMET-SEALING	1				
5	64141-2	NUT-WLF 1/4-20	2				
6	4166681.7	BRKT-MOUNT, FENDER	1				
7	4167010	ELBOW CONNECTOR 1/4"	1				
8	4165291	FUEL CAP-GAS, NON-VENTING	1				
9	4166906	SENDER-FUEL LEVEL	1				
10	64152-46	SCREW-SLT HH 10-24X1/2	5				
11	64139-02	BLT-WLF 1/4-20X1/2	2				
12	64163-29	WSHR-21/64 X 1 X 11GA	4				
13	4167024	GROMMET, 5/16 BOLT	4				
14	64163-55	WSHR .328X.75X14 GA	4				
15	4174499	S-PANEL, TANK, END PLATE	1				
16	4173543	TAIL LIGHT - LED	1				
17	148034-10	GROMMET	1				
18	64123-66	BLT-HEX HD 5/16-18 X 3.5 PLAIN	4				
19	64197-025	BLT-TDFM 1/4-20X5/8	2				
20	4166642	PAD-RUBBER, TANK SUPPORT	4				
21	4167023	SPACER, .5 O.D. X .470LG	4				
22	64218-10	SCREW 1/4-20 X 1/2	10				
23	64268-02	NUT-FL NYLON LOCK 5/16-18	6				
24	64152-87	SCREW 6-32 X 3/8 S-TAP TORX	2				
25	64163-67	WASHER: .516 X 1.00 X .105	4				
26	64006-03	LOCKWSHR-3/8 HELICAL	4				
27	64123-15	BLT-HEX 3/8-16X3/4	4				
28	4174483	WLDMT - ENCLOSURE, TANK	1				
29	4174490	S-FENDER FRONT,LH	1				

FIGURE 8

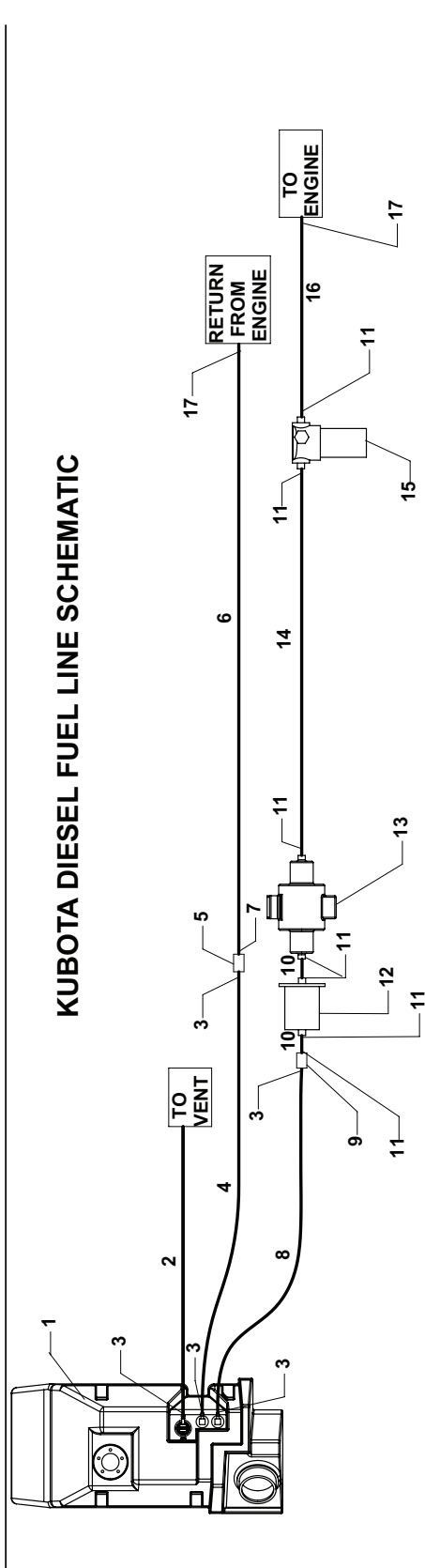
VANGUARD GAS FUEL LINE SCHEMATIC



KUBOTA GAS FUEL LINE SCHEMATIC



KUBOTA DIESEL FUEL LINE SCHEMATIC

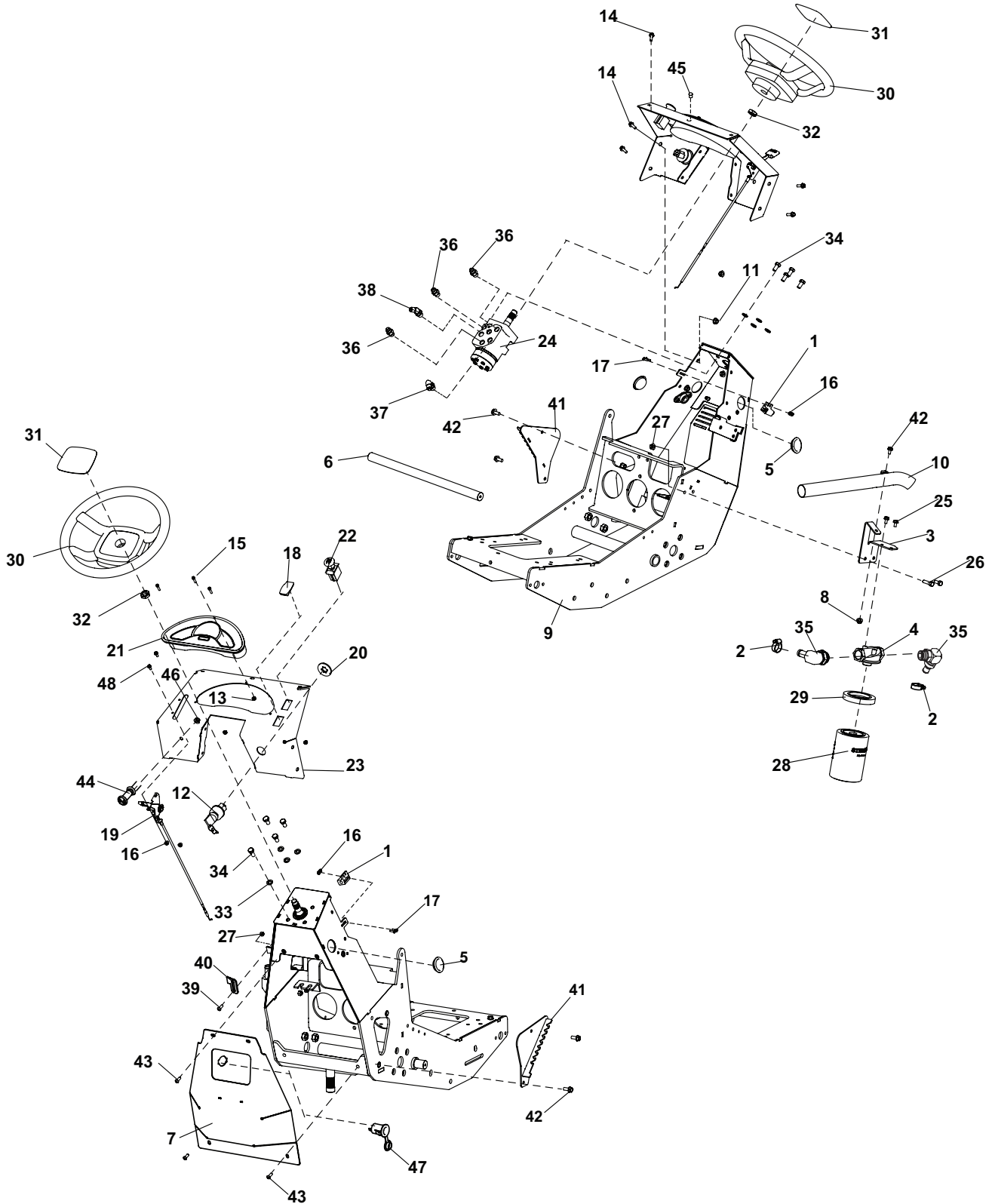


ITEM	PART NO.	DESCRIPTION	QTY	ITEM	PART NO.	DESCRIPTION	QTY
VANGAUARD GAS FUEL LINE SCHMATIC				KUBOTA DIESEL FUEL LINE SCHEMATIC			
1	4173075	TANK - FUEL	1	1	4173970	TANK-DIESEL FUEL	1
2	4162977-001	HOSE, FUEL 1/4 (19.5")	1	2	4162977-001	HOSE, FUEL 1/4 (11")	1
3	88042N	HOSE CLAMP	4	3	88042N	HOSE CLAMP	5
4	4169746	VENT-FUEL, IN-LINE	1	4	4162977-001	HOSE, FUEL 1/4 (19.5")	1
5	4162989-002	HOSE, FUEL 3/16 (64")	1	5	4165864	FITTING-1/4" TO 3/16" ST	1
6	88042-01	CLAMP-HOSE 7/16	2	6	4162989-002	HOSE, FUEL 3/16 (81")	1
7	4162977-001	HOSE, FUEL 1/4 (18")	1	7	88042-01	CLAMP-HOSE 7/16	1
8	4166970	FITTING-1/4 TO 5/16 STR	2	8	4162977-001	HOSE, FUEL 1/4 (18")	1
9	4162978-001	HOSE, FUEL 5/16 (3.5")	3	9	4166970	FITTING- 1/4 TO 5/16 STR	1
10	88042-02	CLAMP-HOSE 9/16	6	10	4162978-001	HOSE, FUEL 5/16 (3.5")	2
11	4166795-04	FUEL FILTER	1	11	88042-02	CLAMP-HOSE 9/16	7
12	4167706	FUEL PUMP	1	12	13-12581-43012	FUEL FILTER	1
13	4162977-007	HOSE, FUEL 5/16 (60")	1	13	1G662-52030	FUEL PUMP	1
14	56-076-02	SLEEVING- 1.53 ID NYLON 20" & 25"	2			ORDER FROM KUBOTA	
		NOT ILLUSTRATED		14	4162978-007	HOSE, FUEL 5/16 (68")	1
KUBOTA GAS FUEL LINE SCHMATIC				15	1G313-43561	WATER SEPERATOR	1
1	4173075	TANK - FUEL	1			ORDER FROM KUBOTA	
2	4162977-001	HOSE, FUEL 1/4 (19.5")	1	16	4162978-001	HOSE, FUEL 5/16 (12")	1
3	88042N	HOSE CLAMP	4	17	11-017	SMALL HOSE CLAMP	2
4	4169746	VENT-FUEL, IN-LINE	1			SLEEVING- 1.53 ID NYLON 20" & 25"	2
5	4162989-002	HOSE, FUEL 3/16 (83")	1	18	56-076-02	NOT ILLUSTRATED	
6	88042-01	CLAMP-HOSE 7/16	1			NOT ILLUSTRATED	
7	4162977-001	HOSE, FUEL 1/4 (18")	1	19	4166483-28	ELEMENT WATER SEP	1
8	4166970	FITTING-1/4 TO 5/16 STR	1			NOT ILLUSTRATED	
9	4162978-001	HOSE, FUEL 5/16 (3.5")	2				
10	88042-02	CLAMP-HOSE 9/16	6				
11	13-12581-43012	FUEL FILTER	1				
12	EG601-52030	FUEL PUMP	1				
		ORDER FROM KUBOTA					
13	4162978-007	HOSE, FUEL 5/16 (73")	1				
14	56-076-02	SLEEVING- 1.53 ID NYLON 20"	2				
		NOT ILLUSTRATED					
15	11-017	CLAMP-SMALL HOSE	1				

FRONT FRAME & GAUGE PANEL ASSEMBLY

STEINER 450

FIGURE 9



STEINER 450

FRONT FRAME & GAUGE PANEL ASSEMBLY

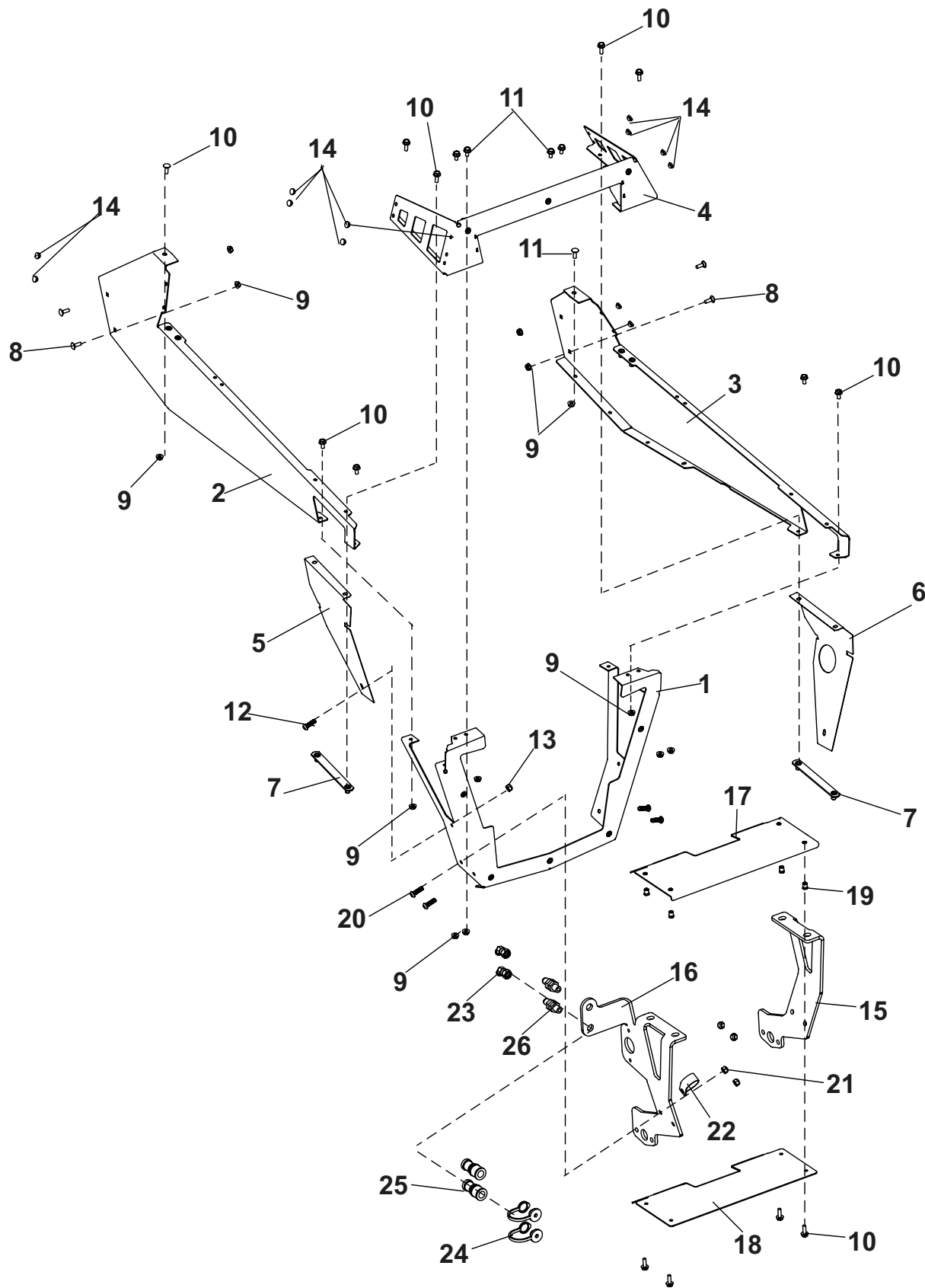
FIGURE 9

ITEM	PART NO.	DESCRIPTION	QTY	ITEM	PART NO.	DESCRIPTION	QTY
1	38382	SWITCH	1	22	2721505	SWITCH-PTO	1
2	108094-02	CLAMP-HOSE SAE 12	2	23	4174484	S-WLDMT, GAUGE PANEL	1
3	4166570.7	BRKT-MTG HYD FILTER	1	24	4172137	STEERING CONTROL UNIT	1
4	4166903	FILTER HEAD-12 O-RING PORTS	1	25	64139-02	BLT-WLF 1/4-20 X 1/2	2
5	4167389	PLUG-PLASTIC 1-1/2 ROUND	2	26	64123-54	BLT-HEX 5/16-18 X .75	2
6	4174044	ROD-DIA1.0IN X 17.79	1	27	64229-02	NUT-NYLON LOCK 5/16-18	4
7	4174482	S-WLDMT PUMP STORAGE	1	28	4166897	FILTER-HYDRAULIC 25 MICRON	1
8	64141-6	NUT-WLF 5/16-18	1	29	4173660	GASKET-OIL FILTER	1
9	4174480	S-WLDMT,FRAME-FRONT	1	30	47-103	STEERING WHEEL KELCH	1
10	13-042.7	INTAKE-AIR TUBE KUBOTA ONLY	1	31	47-104	CAP STRNG WHL CENTER	1
11	64268-02	NUT-FL NYLON LOCK 5/16-18	4	32	64244-04	NUT-HEX JAM, M16-1.5	1
12	128010	SWITCH KEY 5 T VANGUARD ONLY	1	33	64006-03	LOCKWSHR-3/8 HELICAL	4
13	64229-10	NUT-NYLON 10-24	3	34	64123-15	BLT-HEX 3/8-16X3/4	4
14	64018-2	BLT-CRG 1/4-20X3/4	6	35	158058-20	FITTING-90 16 ORB X 12 BARB	2
15	64189-25	BLT-HEX SOC 10-24 X 3/4 SS	3	36	25-0503-6-6	FITTING STR -6 M ORB/-6 M JIC	3
16	64025-15	NUT-HEX #10-24 KEPS	4	37	25-2503-6-6	FITTING 90 -6 M ORB X -6 M JIC	1
17	64152-46	SCREW-SLT HH 10-24X1/2	2	38	25-3503-6-6	FITTING 45 -6 M ORB X -6 M JIC	1
18	31-051	ROCKER SWITCH	1	39	64218-06	SCR-BTN HD 5/16-18X3/4	2
19	118020-21	CONTROL-THROTTLE, 37" VANGUARD GAS MODEL	1	40	4169740.7	PLATE-HI/LO ADJUSTER	1
	118020-19	CONTROL-THROTTLE, 27" KUBOTA GAS MODEL	1	41	4167624	FLAT-ROOSTER COMB	1
	118020-18	CONTROL-THROTTLE, 53" KUBOTA DIESEL MODEL	1	42	64139-08	BLT-WLF 5/16-18 X 3/4	3
20	4172697.7	SPACER, FLAT - KEY SWITCH VANGUARD GAS ONLY	1	43	64218-04	SCREW 1/4-20 X 3/4	4
21	4173969	GAUGE-CLUSTER, VANGUARD	1	44	108009-12	CONTROL-CHOKE 33.0" KUBOTA GAS MODEL ONLY	1
	4166804	GAUGE-CLUSTER KUBOTA	1	45	4171892	PLUG-HOLE, .250	1
				46	64025-04	NUT-3/8-24 HEX	1
				47	4142266	CONNECTOR 12V RECEPTACLE	1
				48	64218-09	SCR-BTN HD #10-24X1/2	2

FRONT ASSEMBLY

STEINER 450

FIGURE 10

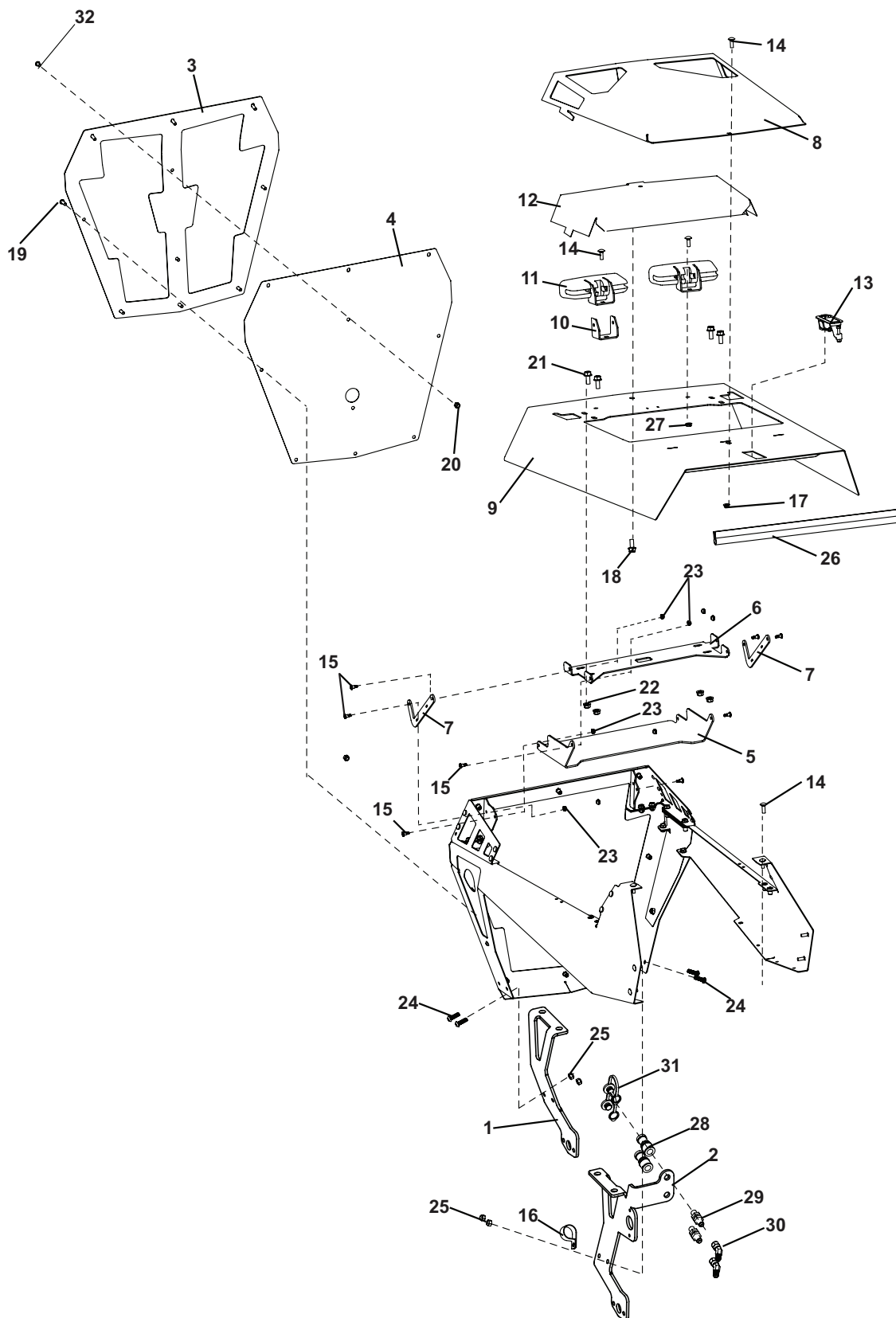


ITEM	PART NO.	DESCRIPTION	QTY	ITEM	PART NO.	DESCRIPTION	QTY
1	4174486	S-SUPPORT-GRILL, BOTTOM	1				
2	4174488	S-PANEL-RIGHT, HOOD	1				
3	4174489	S-PANEL-LEFT, HOOD	1				
4	4174498	S-SUPPORT-GRILL, TOP	1				
5	4173418.7	PLT-VENT, MUFFLER RH	1				
6	4173473.7	PLT-VENT, MUFFLER GAS VANGUARD	1				
	4173431.7	PLT-VENT, MUFFLER GAS KUBOTA	1				
	4173419.7	PLT-VENT, MUFFLER DIESEL KUB	1				
7	4174497	S-PLT-SCREEN,KEEPER	2				
8	64018-2	BLT-CRG 1/4-20X3/4	6				
9	64141-2	NUT-WLF 1/4-20	14				
10	64139-04	BLT-WLF 1/4-20 X 3/4	8				
11	64139-02	BLT-WLF 1/4-20 X 1/2	8				
12	64218-10	SCR-1/4-20 X 1/2 BTN HD SHCS	2				
13	64229-01	NUT-NYLON LOCK 1/4-20	4				
14	4173994	BUMPER-PLASTIC 1/2 X 7/64	12				
15	4174709.17	BRKT-GRILL MNTG, LH	1				
16	4174708.17	BRKT-GRILL MNTG,RH	1				
17	4174710.7	PLT-HEAT SHIELD, TOP	1				
		BRIGGS MODELS ONLY					
	4174899.7	PLT-HEAT SHIELD, TOP KUB	1				
		KUBOTA MODELS ONLY					
18	4174711.7	PLT-HEAT SHIELD, BOTTOM BRIGGS	1				
		BRIGGS MODELS ONLY					
	4174900.7	PLT-HEAT SHIELD, BOTTOM KUB	1				
		KUBOTA MODELS ONLY					
19	4173661	RIVET NUT 1/4-20 X .165	4				
20	64218-13	SCR-BTN HD SKT 5/16-18X1	4				
21	64229-02	NUT-NYLON LOCK 5/16-18	4				
22	48228-2A	CLAMP-3/4 CLIP	1				
23	4167863-01	FITTING-6F JIC/45°6M JIC	2				
24	4168413	PLUG-COUPLER DUST COVER	2				
25	23-003	COUPLER FEMALE	2				
26	25-2706-4-6	FITTING STR -4 MPT/-6 MJIC BH	2				

HOOD & GRILL ASSEMBLY

STEINER 450

FIGURE 11

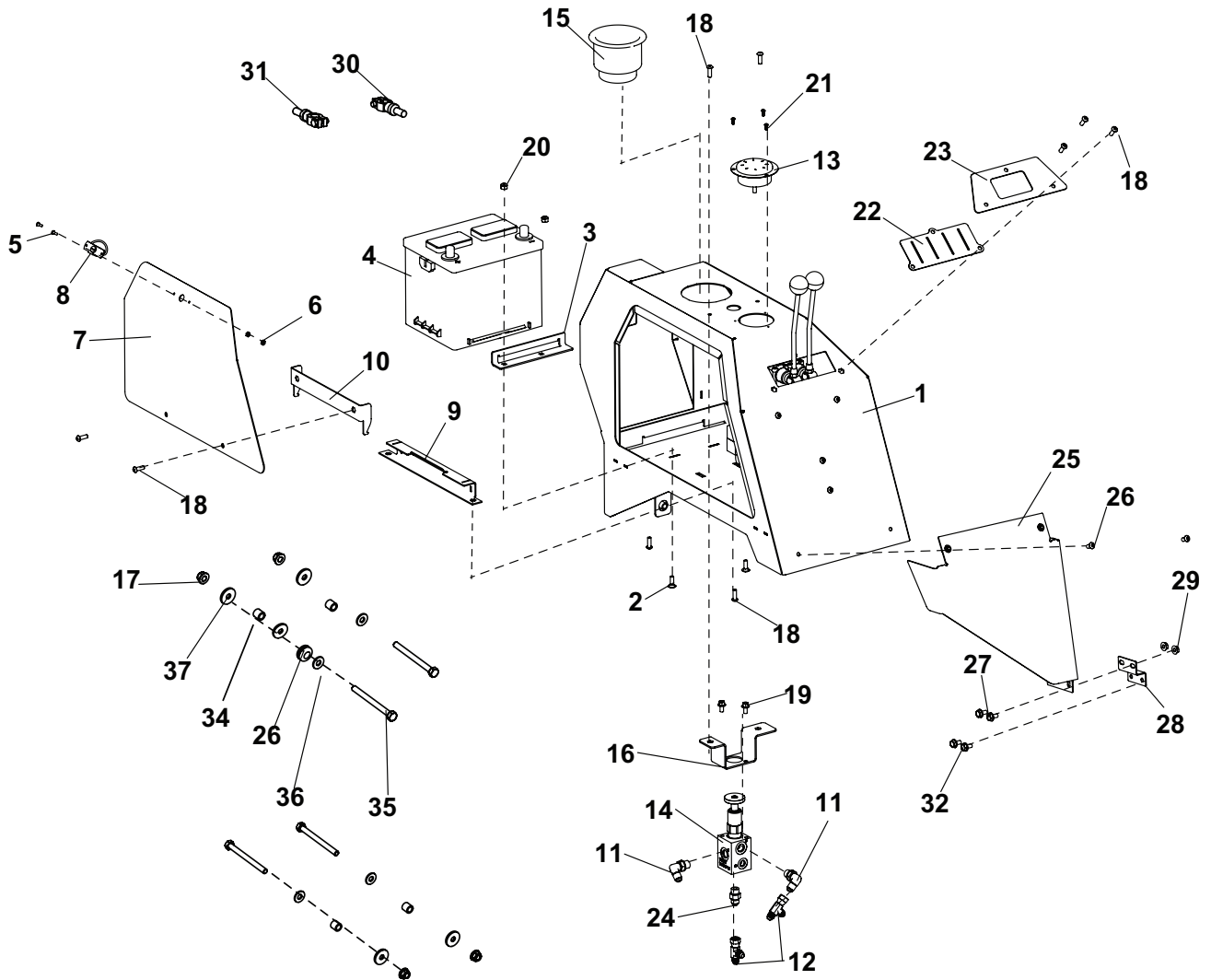


ITEM	PART NO.	DESCRIPTION	QTY	ITEM	PART NO.	DESCRIPTION	QTY
1	4173709.17	BRKT-GRILL MNTG, LH	1				
2	4173708.17	BRKT-GRILL MNTG, RH	1				
3	4174517	S-FRAME,GRILL	1				
4	4173193.7	GRILL-SCREEN, FRONT	1				
5	4173197.7	BRKT-HOOD, LOWER	1				
6	4173196.7	BRKT-HOOD, UPPER	1				
7	4173198.7	LINK-HOOD LIFT	2				
8	4174487	S-SCOOP, HOOD	1				
9	4173381.17	WLDMT-HOOD	1				
10	4173521.7	BRKT HEADLIGHT	2				
11	4173204	HEADLIGHT-LED	2				
12	4173417.7	PLT-VENT, HOOD SCOOP	1				
13	4166741	LATCH-TRIGGER	1				
14	64018-2	BLT-CRG 1/4-20X3/4	3				
15	4173759	SHLDER SCREW #10-25X5/16	8				
16	48228-2A	CABLE-CLIP 3/4 W/INSTN	1				
17	64141-2	NUT-WLF 1/4-20	1				
18	64139-04	BLT-WLF 1/4-20 X 3/4	1				
19	64218-04	SCREW 1/4-20 X 3/4	8				
20	64229-01	NUT-NYLON LOCK 1/4-20	2				
21	64262-006	BLT-FLG HD 5/16-18 X 3/4	4				
22	64268-02	NUT-FL NYLON LOCK 5/16-18	4				
23	64229-10	NUT-NYLON 10-24	8				
24	64218-13	SCR-BTN HD SKT 5/16-18X1	4				
25	64229-02	NUT-NYLON LOCK 5/16-18	4				
26	56-068-20	TRIM SEAL /FT. USED ON KUBOTA ONLY	1				
27	64268-01	NUT-FL NYLON LOCK 1/4-20	2				
28	23-003	COUPLER FEMALE	2				
29	25-2706-4-6	FITTING STR -4 MPT/-6 MJIC	2				
30	4167863-01	FITTING-6F JIC/45°6M JIC	2				
31	4168413	PLUG-COUPLER DUST COVER	2				
32	64218-10	SCR-1/4-20 X 1/2 BTN HD	2				
33	4168941	BUMPER-FELT, 1IN ADHESIVE NOT ILLUSTRATED	16				
34	56-003-18	WEATHERSTRIP 3/16X3/4-15" NOT ILLUSTRATED	1				

BATTERY COMPARTMENT

STEINER 450

FIGURE 12



STEINER 450

BATTERY COMPARTMENT

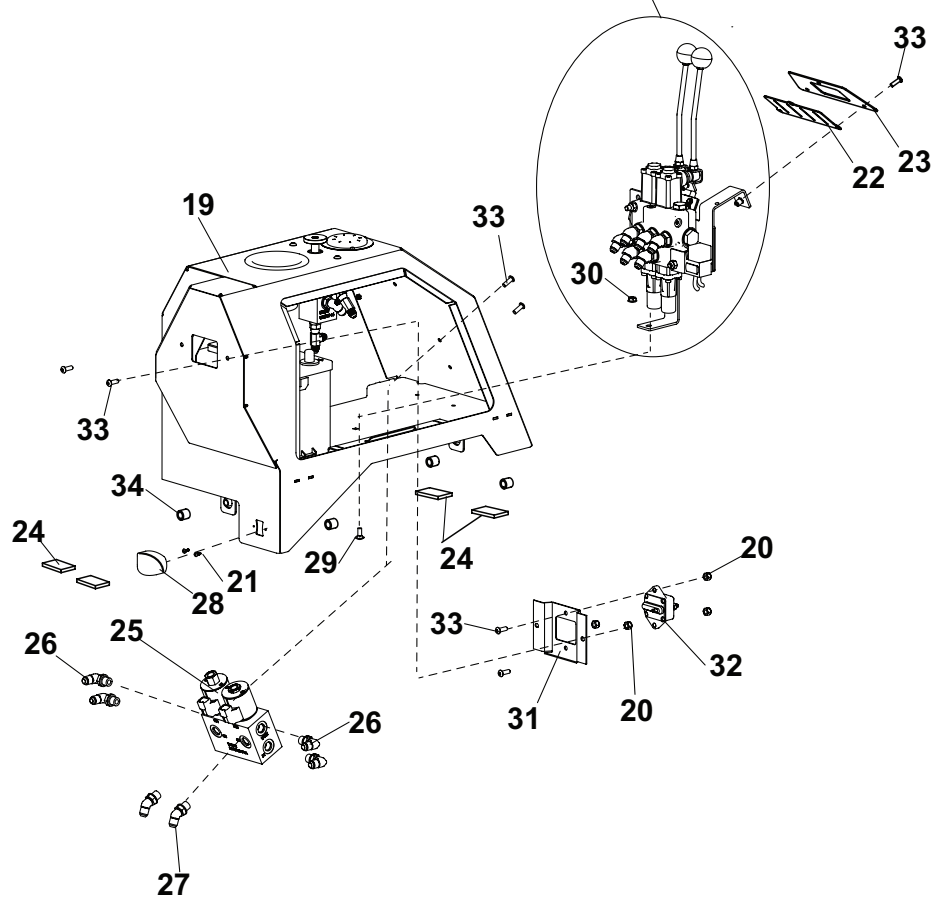
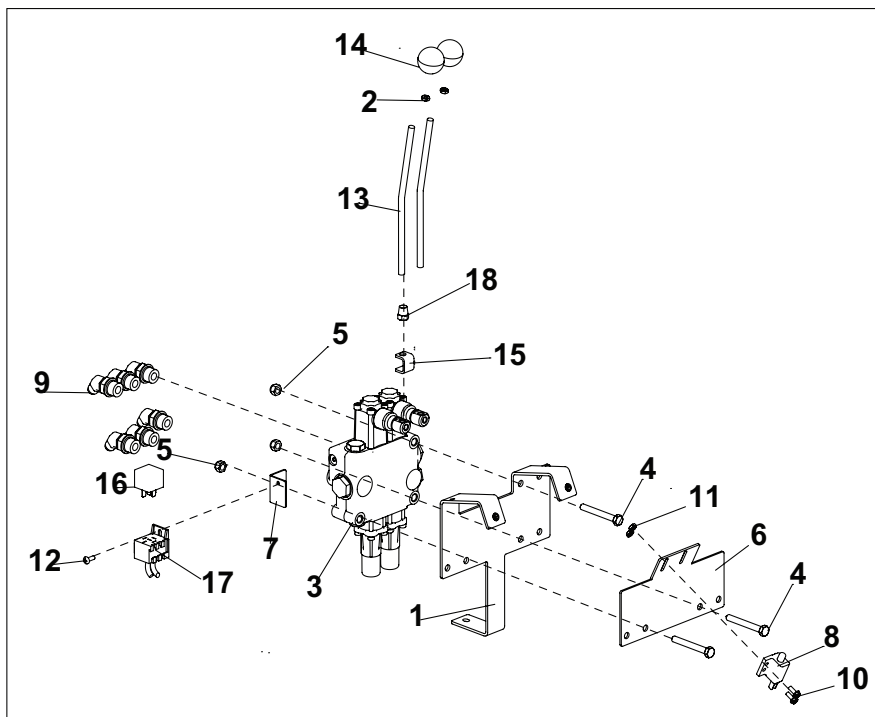
FIGURE 12

ITEM	PART NO.	DESCRIPTION	QTY	ITEM	PART NO.	DESCRIPTION	QTY
1	4174481	S-BATTERY COMPARTMENT	1	27	64139-02	BLT-WLF 1/4-20X1/2	2
2	64018-2	BLT-CRG 1/4-20X3/4	2	28	4166681.7	BRKT-MOUNT, FENDER	1
3	4173547.7	BRKT FRONT BATT HOLD DOWN	1	29	64141-2	NUT-WLF 1/4-20	2
4		BATTERY 26-60 525CCA	1	30	30-064	BATTERY CABLE 4 GA 90IN BL	1
	GAS MODEL	OBTAIN LOCALLY				GAS MODELS ONLY	
		BATTERY-9.00x6.81x8.00 630CCA	1	30	4173739-1	CABLE-BATT POS 108IN 1GA RED	1
	DIESEL MODEL	OBTAIN LOCALLY				DIESEL MODEL ONLY	
5	64152-80	SCREW-PAN HD PHILP 6-32X3/8	2	31	4167293-2	CABLE-BATTERY POS 95IN	1
6	64025-26	NUT-HEX #6-32 KEPS	2			GAS MODELS ONLY	
7	4173157.17	PANEL-DOOR, BATTERY TANK	1	31	4173740-1	BATTERY CABLE 1 GA 94IN LG BL	1
8	4166814	LATCH-BATTERY BOX	1			DIESEL MODEL ONLY	
9	4174496	S-BASE-HINGE TANK DOOR	1	32	64197-025	BLT-TDFM 1/4-20X5/8	2
10	4174495	S-HINGE, TOP TANK DOOR	1	33	4167714-01	HOSE-CUP HOLDER 15"	1
11	25-2503-6-6	FITTING 90 -6 M ORB X -6 M JIC	2			NOT ILLUSTRATED	
12	25-063T-6-6	NUT RUN TEE SWIVEL	2	34	4167023	SPACER, .5 O.D. X .470LG	4
13	4173529	GAUGE HYD. PRESSURE 600 PSI	1	35	64123-66	BLT-HEX HD 5/16-18 X 3.5 PLAIN	4
14	4173530	VALVE HYD. ADJUSTMENT	1	36	64163-55	WSHR .328X.75X14 GA	4
15	4167181	CUP HOLDER- INSERT Ø3-1/2 X 3	1	37	64163-29	WASHER-21/64 X 1 X 11GA	4
16	4174512	S-BRKT WEIGHT TRANS ADJ VALVE	1				
17	64268-02	NUT-FL NYLON LOCK 5/16-18	4				
18	64218-04	SCREW 1/4-20 X 3/4	11				
19	64139-02	BLT-WLF 1/4-20X1/2	2				
20	64229-01	NUT-NYLON LOCK 1/4-20	2				
21	64152-87	SCREW 6-32 X 3/8 S-TAP TORX	3				
22	4166752	COVER-RUBBER	1				
23	4173657.7	PLATE-COVER, TWO VALVE	1				
24	25-0503-6-6	FITTING STR -6 M ORB/-6 M JIC	1				
25	4174490	S-FENDER, FRONT, LH	1				
26	4167024	GROMMET-5/16 BOLT	4				

BATTERY COMPARTMENT HYDRAULICS

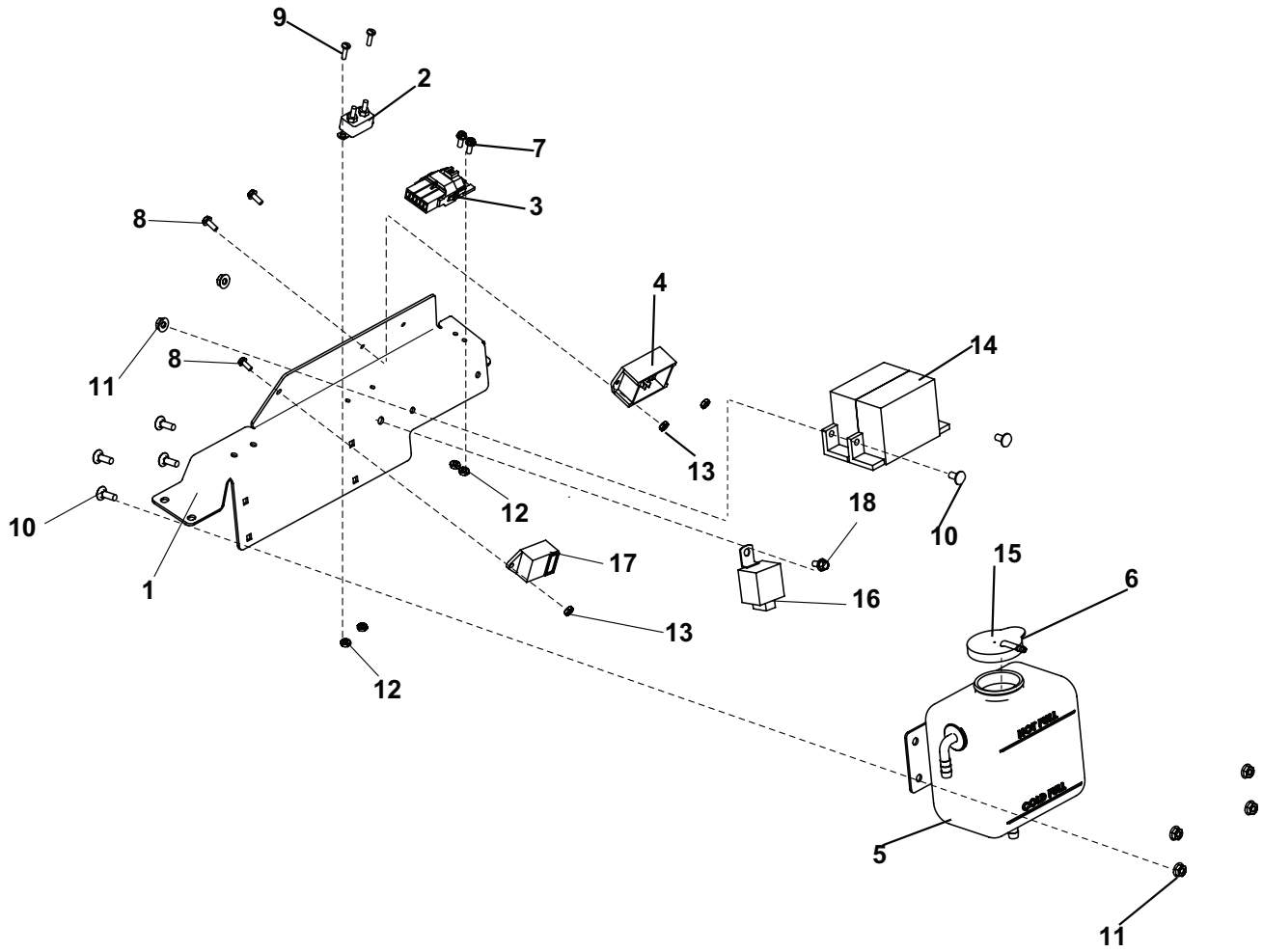
STEINER 450

FIGURE 13



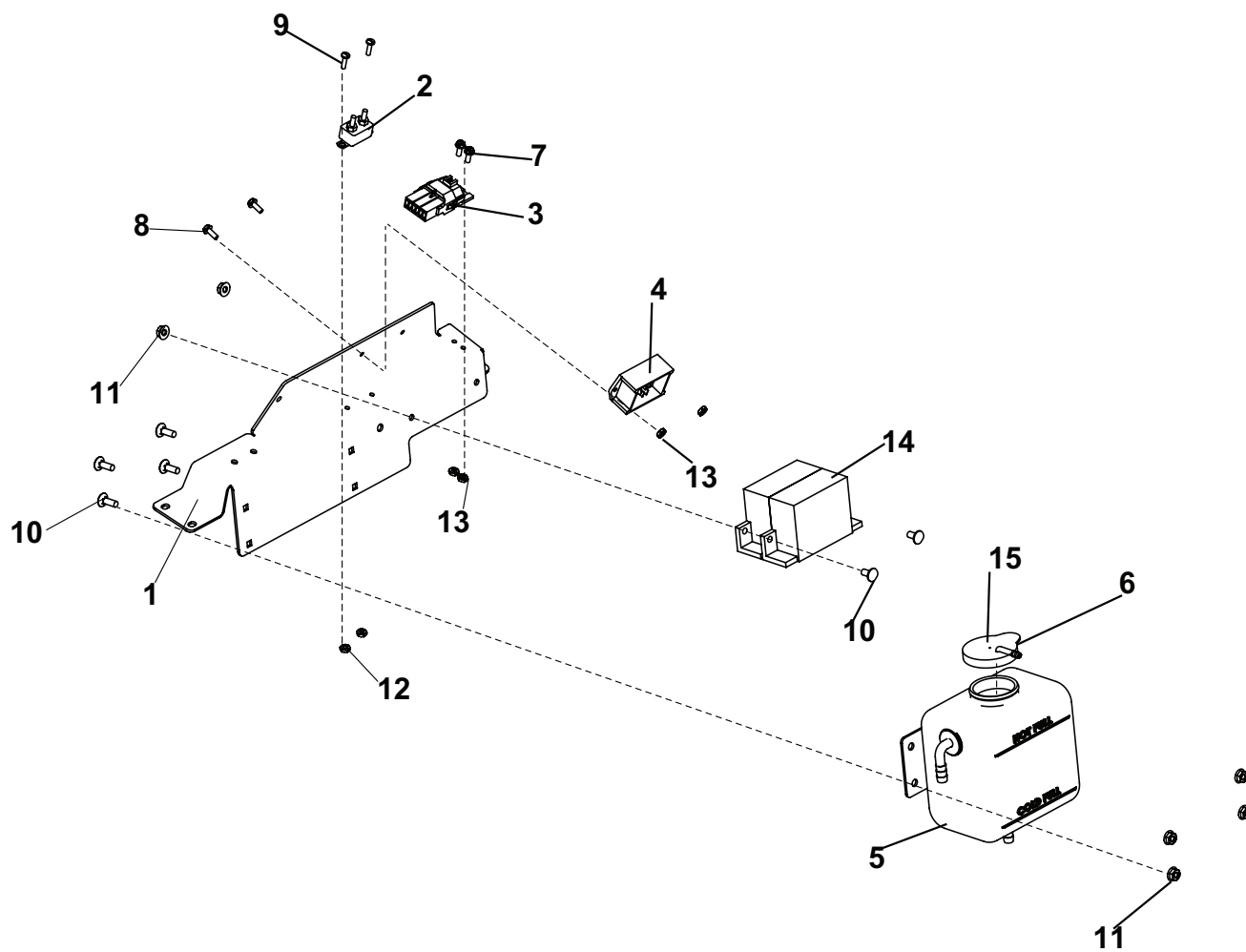
ITEM	PART NO.	DESCRIPTION	QTY	ITEM	PART NO.	DESCRIPTION	QTY
1	4173411.7	BRKT-HYDRO CONTROL VALVE	1				
2	64025-02	NUT-HEX 5/16-18	2				
3	4166623	VALVE-CONTROL, 2 SECT	1				
4	64123-12	BLT-HEX 5/16-18X2-1/2	3				
5	64229-02	NUT-NYLON LOCK 5/16-18	3				
6	4173248.7	BRKT SWT MNT	1				
7	4173718.7	BRKT-WEIGHT TRANS RELAY	1				
8	38382	SWITCH-N.O.	1				
9	108205-05	ELBOW MALE 45 6X8 37-ORB	6				
10	64152-49	SCREW-SLT HH 10-24X3/4	2				
11	64025-15	NUT-HEX #10-24 KEPS	2				
12	64152-78	SCREW-PAN TORX 10-32X1/2	1				
13	4174249	LEVER-5/16DIA, 170DEG BEND	2				
14	4167294	KNOB-BALL	2				
15	4173249.7	BRKT-SWITCH ENGAGEMENT	1				
16	2722325	RELAY-40AMP SEALED	1				
17	4173889	HARNESS-WEIGHT TRANSFER	1				
18	4173704	NUT-M8 GUIDE	1				
19	4174481	S-BATTERY COMPARTMENT	1				
20	64229-01	NUT-NYLON LOCK 1/4-20	4				
21	64152-87	SCREW 6-32 X 3/8 S-TAP TORX	2				
22	4166752	COVER-RUBBER	1				
23	4173657.7	PLATE-COVER, TWO VALVE	1				
24	4166642-01	PAD-RUBBER, TANK SUPPORT	4				
25	4173531	MANIFOLD,WEIGHT TRANSFER	1				
26	25-2503-6-6	FITTING 90 -6 M ORB X -6 M JIC	4				
27	25-3503-6-6	FITTING 45 -6 M ORB X -6 M JIC	2				
28	4173543	TAIL LIGHT - LED	1				
29	64018-41	BLT-CRG 1/4-20X5/8	1				
30	64141-2	NUT-WLF 1/4-20	1				
31	4173716.17	BRKT-CIRCUIT BREAKER	1				
32	4173532	CIRCUIT BREAKER	1				
33	64218-04	SCREW 1/4-20 X 3/4	9				
34	4167023	SPACER, .5 O.D. X .470LG	4				

FIGURE 14



ITEM	PART NO.	DESCRIPTION	QTY	ITEM	PART NO.	DESCRIPTION	QTY
1	4173443.7	BRKT- OIL RES & RELAYS	1				
2	48524	40 AMP BREAKER	1				
3	2188154	MODULE-DELAY	1				
4	4165343	MODULE-SOFT START, KUBOTA	1				
5	4167640	S-TANK-EXPANSION 1/1/2 QT INCLUDES ITEM 6 & 15	1				
6	4167812	S-CAP-EXPANSION TANK INCLUDES ITEM 15	1				
7	64152-46	SCREW-SLT HH 10-24X1/2	2				
8	64218-09	SCR-BTN HD #10-24X1/2	3				
9	64152-79	SCREW-HEX HD PHILP 8-32X3/8	2				
10	64018-2	BLT-CRG 1/4-20X3/4	6				
11	64141-2	NUT-WLF 1/4-20	7				
12	64025-29	NUT-HEX #8-32 KEPS	2				
13	64025-15	NUT-HEX #10-24 KEPS	5				
14	4173535	HARNESS-DIESEL ELECTRIC	1				
15	4167299	DECAL-FLUID FILL, STEINER	1				
16	T0070-31410	FUEL SHUT OFF ORDER FROM KUBOTA	1				
17	15694-65990	GLOW PLUG TIMER ORDER FROM KUBOTA	1				
18	64262-001	BLT-FLG HD 1/4-20 X 1/2	1				

FIGURE 15

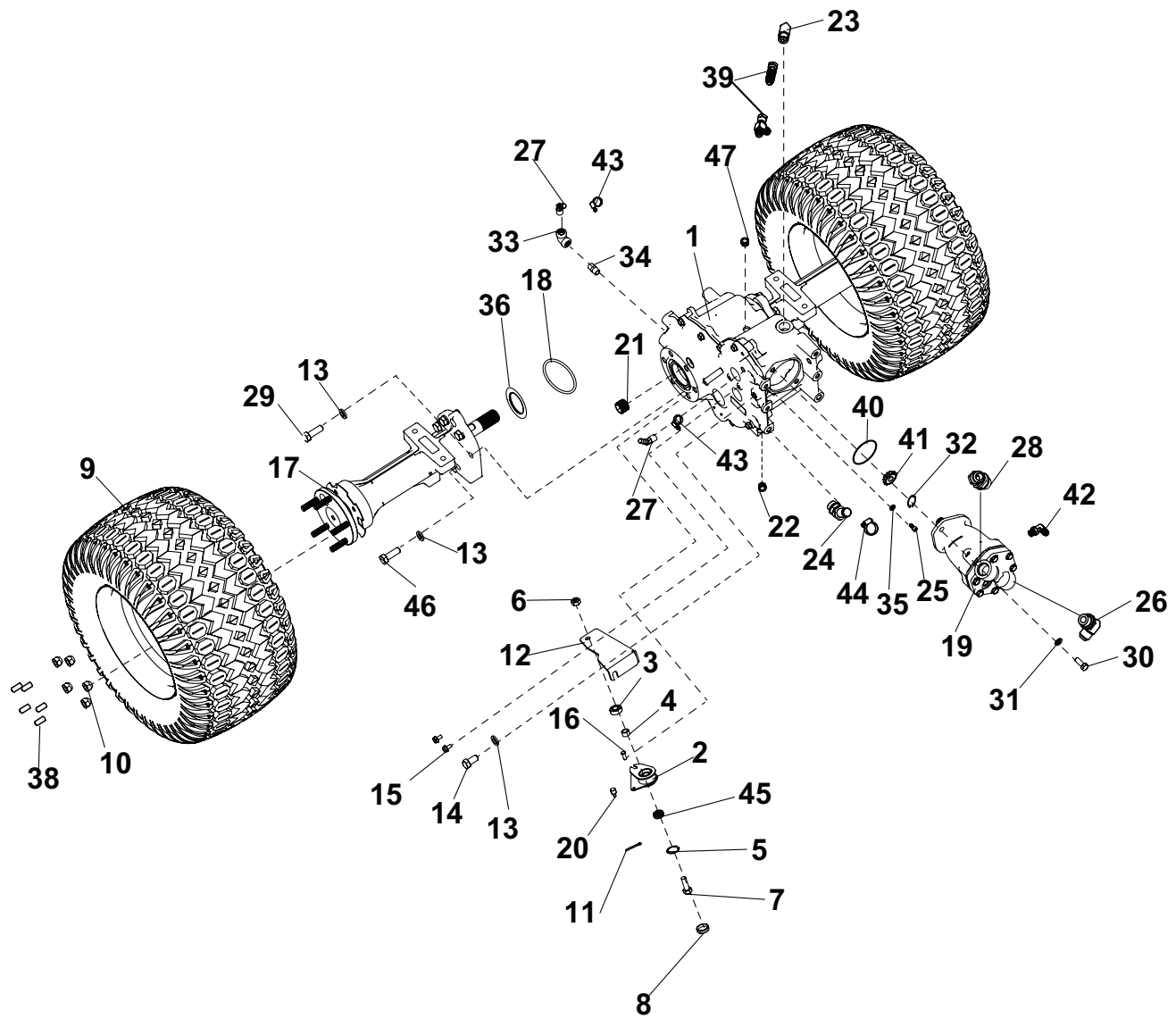


ITEM	PART NO.	DESCRIPTION	QTY	ITEM	PART NO.	DESCRIPTION	QTY
1	4173443.7	BRKT- OIL RES & RELAYS	1				
2	48524	40 AMP BREAKER	1				
3	2188154	MODULE-DELAY	1				
4	4174229	MODULE-SOFT START, VANGUARD USED ON VANGUARD MODEL	1				
4	4165343	MODULE-SOFT START, KUBOTA USED ON KUBOTA GAS MODEL	1				
5	4167640	S-TANK-EXPANSION 1/1/2 QT INCLUDES ITEM 6 & 15	1				
6	4167812	S-CAP-EXPANSION TANK INCLUDES ITEM 15	1				
7	64152-46	SCREW-SLT HH 10-24X1/2	2				
8	64218-09	SCR-BTN HD #10-24X1/2	2				
9	64152-79	SCREW-HEX HD PHILP 8-32X3/8	2				
10	64018-2	BLT-CRG 1/4-20X3/4	6				
11	64141-2	NUT-WLF 1/4-20	6				
12	64025-29	NUT-HEX #8-32 KEPS	2				
13	64025-15	NUT-HEX #10-24 KEPS	4				
14	4173538	HARNESS-EFI ELECTRICAL USED ON VANGUARD MODEL	1				
14	4173536	HARNESS-LC ELECTRICAL USED ON KUBOTA GAS MODEL	1				
15	4167299	DECAL-FLUID FILL, STEINER	1				

FRONT AXLE & WHEELS

STEINER 450

FIGURE 16

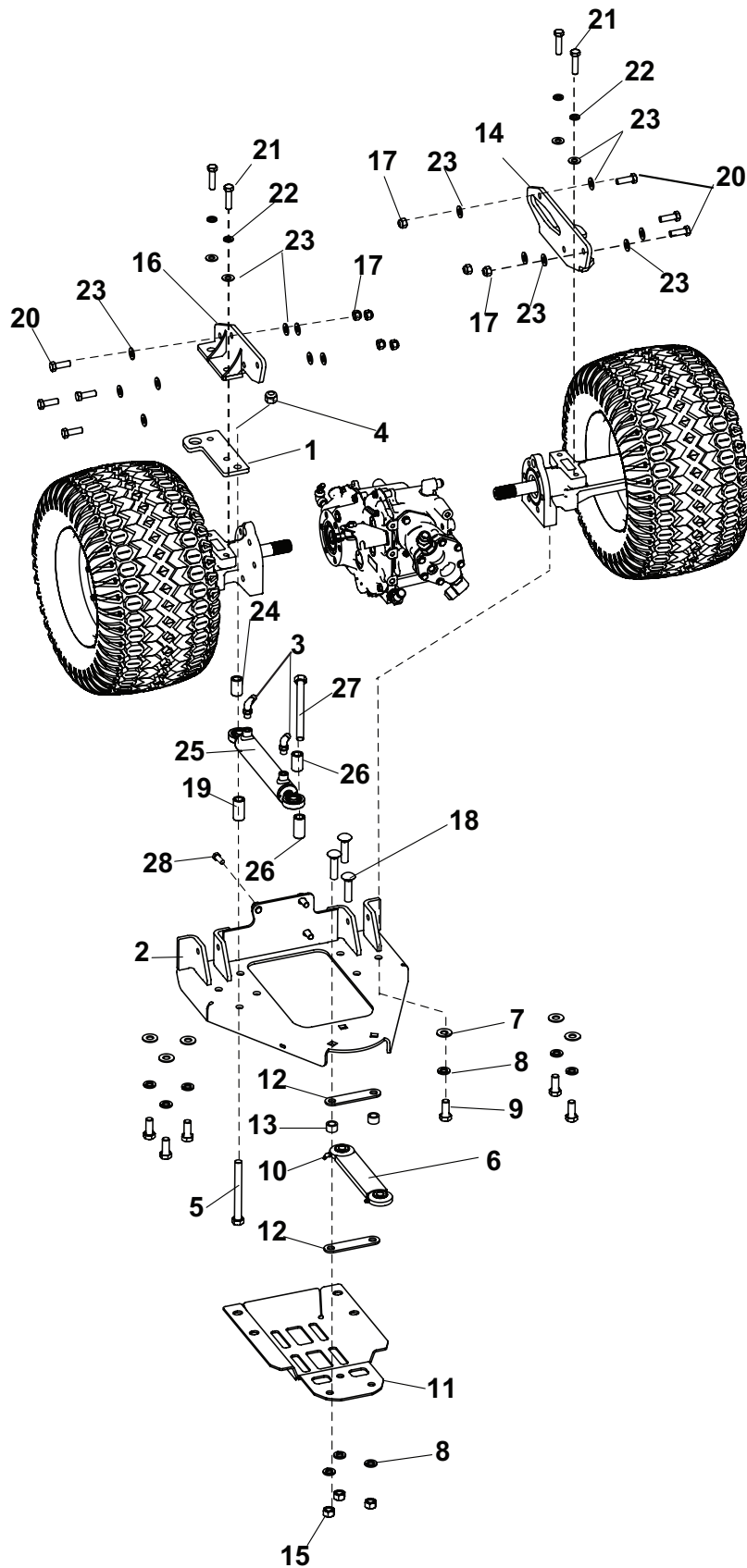


ITEM	PART NO.	DESCRIPTION	QTY	ITEM	PART NO.	DESCRIPTION	QTY
1	4172139	TRANSAXLE - PEERLESS 2600-032	1	18	4166056-04	O RING, AXLE	2
2	4171547.7	WLDMENT-LEVER, SHIFTER	1	19	4166812	MOTOR-HYDRO 1.24CI	1
3	4128004	BEARING-BALL 10 X 26 X 8	1	20	4166630	SWIVEL-10-32 X .188 PIN	1
4	4171545	SPACER-SHIFTER	1	21	69051-07	PLUG-PIPE 3/4"	1
5	64144-40	SNAP RING-26MM INTERNAL	1	22	69051-06	PIPE PLUG-3/8 INT W/MAGNET	1
6	64237-03	LOCKNUT-NYLON M10-1.5	1	23	25-2103-12-8	FITTING 90 -12 MPT X -8 M JIC	1
7	64270-04	BLT-HEX M19-1.5 X 35 ISO CL8.8	1	24	4172124	FTG-9/16-18 ORB X 1/2 45	1
8	4128002	CAP-26 X 7 END	1	25	64189-30	BLT-HEX SOC 1/4-28 X 1/2	1
9	4167166	WHEEL ASSY-CHEV 22X11.0-10 LH	1	26	25-2503-12-12	FITTING 90 -12 MJIC/ -12 F.JIC	1
	4167166-01	TIRE-22X11-10 OTR CHEVER		27	4168145-01	FITTING-45° BARB HOSE/ NPT	2
	4167166-02	RIM-10X8.5 5BLT WHT		28	108205-04	ELBOW MALE 45 12X12 37	1
9	4167167	WHEEL ASSY-CHEV 21X11.0-10 RH	1	29	64123-117	BLT-HEX 1/2-13X1-1/2	8
	4167166-01	TIRE-22X11-10 OTR CHEVER		30	64123-50	BLT-HEX 3/8-16X1	2
	4167166-02	RIM-10X8.5 5BLT WHT		31	64006-03	LOCKWSHR-3/8 HELICAL	2
9	4167168	WHEEL ASSY-FIELD TRX22X12.0-10	2	32	64144-35	SNAP RING.688	1
	4167168-01	TIRE-FIELD TRAX 22X12-10		33	29-068	PIPE ELBOW 1/4 NPT	1
	4167166-02	RIM-10X8.5 5BLT WHT		34	48024-24A	NIPPLE-PIPE	1
9	4175290	ASSY-WHEEL TURF 22X11-10 4PLY	2	35	4173857	WASHER 1/4 ID X 1/2 OD SEAL	1
	4175290-01	TIRE-TURF, 22X11.00-10 4PLY		36	4166056-03	SPACER-AXLE	2
	4167166-02	RIM-10X8.5 5BLT WHT		37	4166056-05	S-OIL,SEAL, AXLE	2
10	64187-02	S-NUT-WHEEL 7/16-20	10			NOT ILLUSTRATED	
11	64140-16	COTTER PIN-5/64X3/4	1	38	4173863	CAP-ROUND 0.375 X .5 X 1	10
12	4171988.7	BRKT-MOUNTING, SHIFTER	1	39	4166910-01	FITTING-SWIVEL RUN TEE/	2
13	64006-05	LOCKWSHR-1/2 HELICAL	13	40	4166892	O-RING-3.25 X 3.375 X .062	1
14	64123-73	BLT-HEX 1/2-13X1	1	41	51-023	PINION GEAR FOR 220 778155	1
15	64139-02	BLT-WLF 1/4-20 X 1/2	2	42	25-2503-6-6	FITTING 90-6 MORB X -6MIJC	1
16	64061-25	ROLL PIN-1/4X1-1/4	1	43	11-017	CLAMP-SMALL HOSE	2
17	4166056-01.7	AXLE-ASSEMBLY	2	44	108094-02	CLAMP-HOSE SAE12	1
17	4166056-07	AXLE-FORGED	2	45	4127999	SEAL --16 X 24 X 7	1
				46	64123-259	BLT-HEX 1/2-13X2-1/4	4
				47	69051-08	PIPE PLUG-3/8 INT	1

FRONT AXLE SUPPORT ASSEMBLY

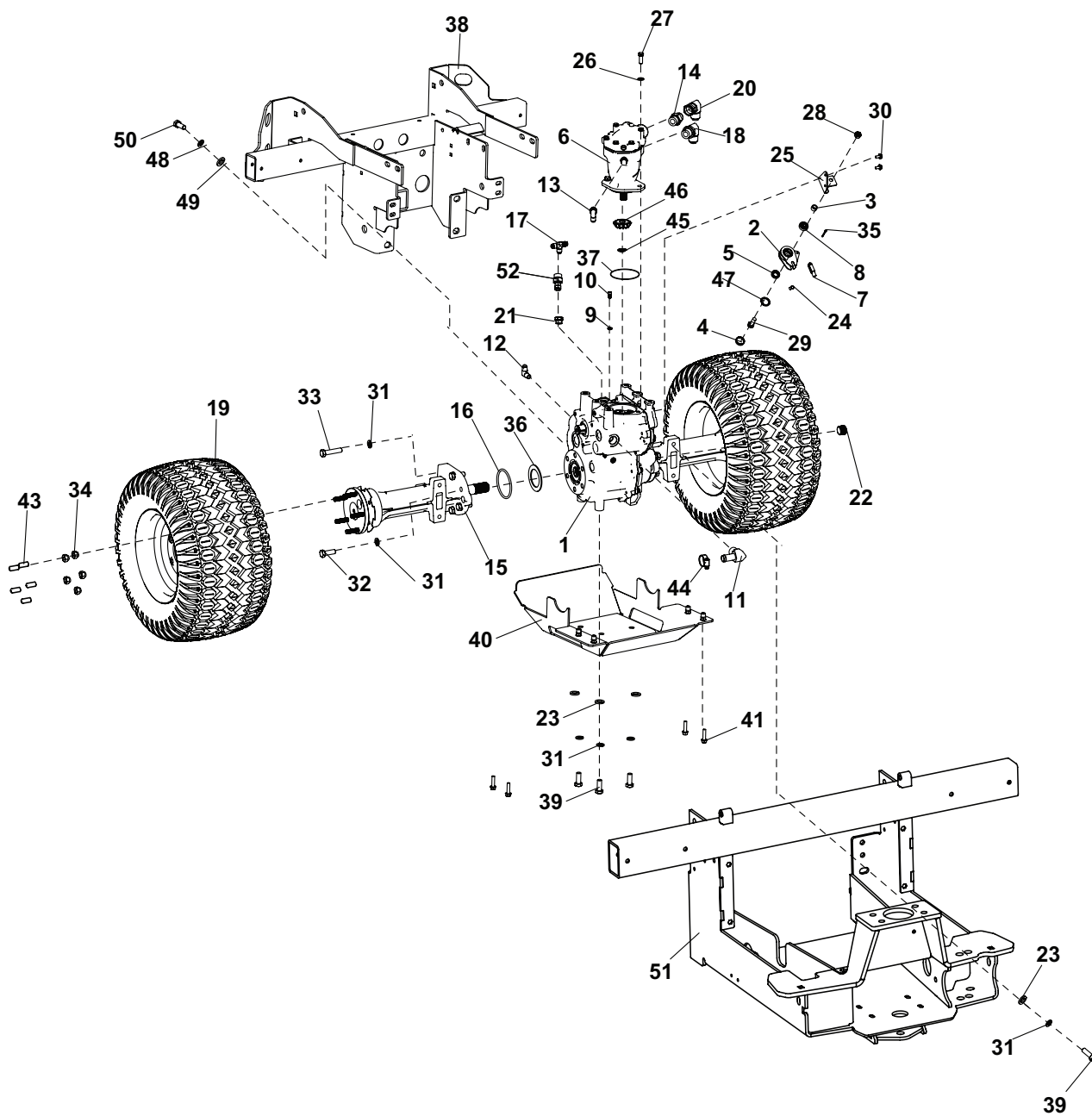
STEINER
450

FIGURE 17



ITEM	PART NO.	DESCRIPTION	QTY	ITEM	PART NO.	DESCRIPTION	QTY
1	4169830.17	PLATE-MTG, STEERING CYL	1				
2	4172019.7	WLDMT-LOWER AXLE SUPPORT	1				
3	25-2503-6-6	FITTING 90 -6 M ORB X -6 M JIC	2				
4	64229-06	NUT-NYLON LOCK 5/8-11	1				
5	64123-212	BOLT - 5/8-11 X 6.00	1				
6	4172025.7	WLDMT-CENTER LINK	1				
		INCLUDES ITEM 10					
7	64163-16	WSHR 41/64X1-3/8X12 GA	6				
8	64006-04	LOCKWSHR-5/8 HELICAL	9				
9	64123-109	BOLT-5/8-11 X 1_1/2	6				
10	29-045	GREASE FITTING 1/4-28 45°	1				
11	4172026.17	GUARD - AXLE FRONT	1				
12	4172028.7	LINK-AXLE FRONT	2				
13	4172029	BUSHING - AXLE FRONT	2				
14	4172033.17	PLATE-AXLE MOUNT, RH SIDE	1				
15	64025-21	NUT-HEX 5/8-11	3				
16	4172037.17	PLATE-AXLE MOUNT, LH BTM	1				
17	64229-15	NUT-NYLON LOCK 1/2-20 GR8	7				
18	64018-40	BLT-CRG 5/8-11X2-1/2	3				
19	4172129	SPACER-.64 X 1.0 X 2.041	1				
20	64123-313	BLT-HEX 1/2-20X1-1/2 GR8	7				
21	64123-24	BLT-HEX 1/2-13X2	4				
22	64006-05	LOCKWSHR-1/2 HELICAL	7				
23	64163-114	WSHR-.531X1.062X.095	18				
24	4172145	SPACER-.64 X 1.0 X 1.600	1				
25	4172131	CYL-HYD, STEERING	1				
26	4172128	SPACER-.64 X 1.0 X 1.47	2				
27	64123-152	BLT-HEX 5/8-11X5	1				
28	64123-39	BLT-HEX 1/2-13X1-1/4	3				

FIGURE 18



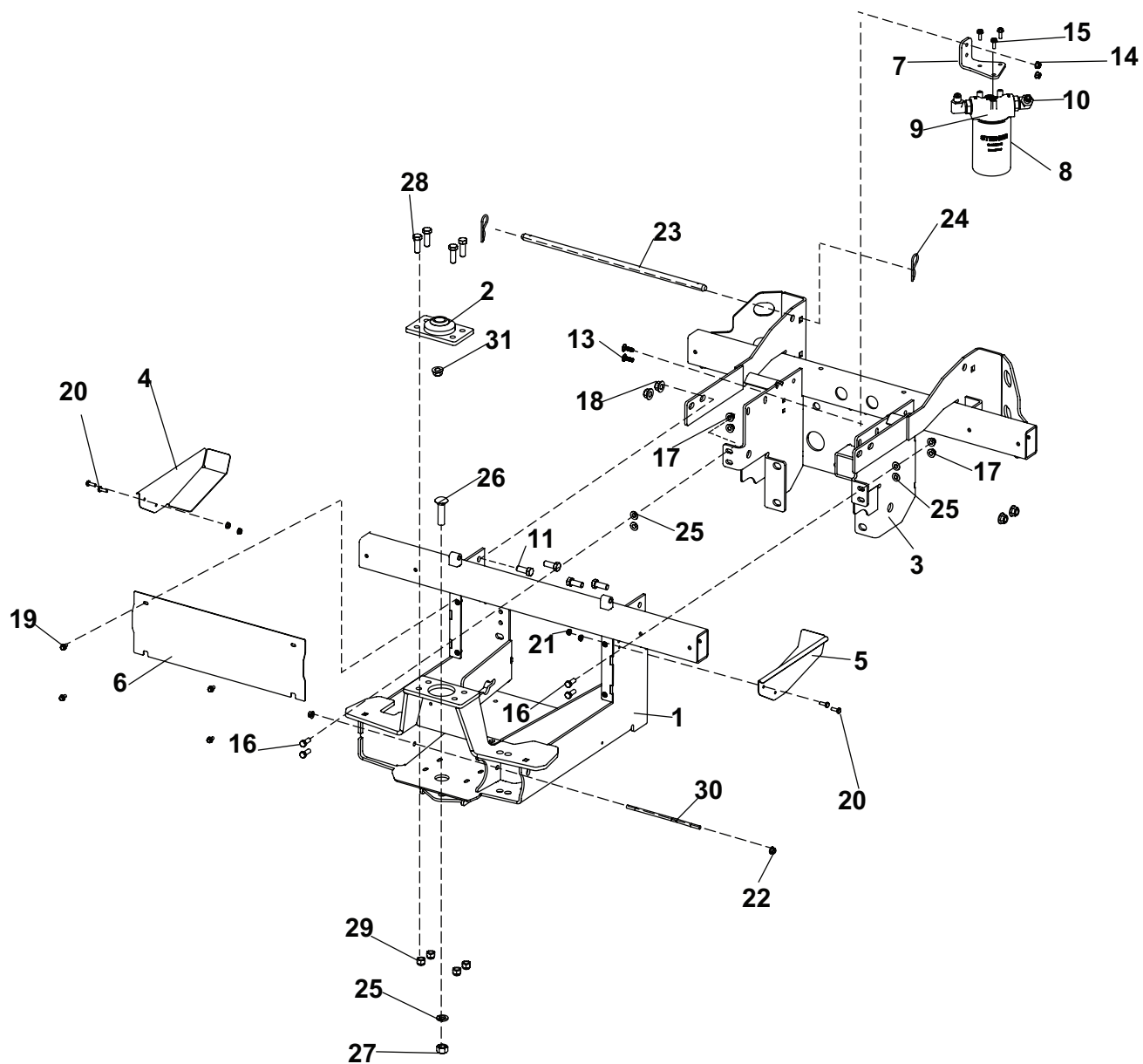
ITEM	PART NO.	DESCRIPTION	QTY	ITEM	PART NO.	DESCRIPTION	QTY
1	4172139	TRANSAXLE-PEERLESS 2600-032	1	23*	4166056-05	S-OIL SEAL, AXLE	2
2	4171547.7	WLDMENT-LEVER, SHIFTE	1	24	64188-65	PIN-CLEVIS, 1/4 X .62	1
3	4171545	SPACER-SHIFTER	1	25	4171987.7	BRKT-MTG, SHIFT LEVER REAR	1
4	4128002	CAP-26 X 7 END	1	26	64006-03	LOCKWSHR-3/8 HELICAL	2
5	4127999	SEAL-16 X 24 X 7	1	27	64123-50	BLT-HEX 3/8-16X1	2
6	4166813	MOTOR-HYDRO 1.24CI SS	1	28	64237-03	LOCKNUT-NYLON M10-1.5	1
7	4166629	CLEVIS-10-32 THD X .188 PIN	1	29	64270-04	BLT-HEX M19-1.5 X 35 ISO CL8.8	1
8	4128004	BEARING-BALL 10 X 26 X 8	1	30	64139-02	BLT-WLF 1/4-20 X 1/2	2
9	4173857	WASHER 1/4 ID X 1/2 OD SEAL	1	31	64006-05	LOCKWSHR-1/2 HELICAL	17
10	64189-30	BLT-HEX SOC 1/4-28 X 1/2	1	32	64123-117	BLT-HEX 1/2-13X1-1/2	8
11	108086-02	FTG-BARB 90-3/4 X 3/4	1	33	64123-259	BOLT, 1/2-13 X 2_1/4	4
12	25-2103-6-6	90-M/M 9/16 JIC x 3/8 NPTF	1	34	64187-02	S-NUT-WHEEL 7/16-20	10
13	25-2503-6-6	FITTING 90 -6 M ORB X -6 M JIC	1	35	64140-10	COTTER PIN-3/32X1/2	1
14	25-0503-12-12	FITTING STR -12 MORB-12 MJIC	1	36	4166056-03	SPACER-AXLE	2
15	4166056-01.7	AXLE-ASSEMBLY	2	37	4166892	O-RING-3.25 X 3.375 X .062	1
16	4166056-04	O RING, AXLE	2	38	4172087.7	WLDMT-REAR FRAME	1
17	25-033T-6-6	FITTING UNION TEE -6 M JIC (3)	1	39	64123-39	BLT-HEX 1/2-13X1-1/4	7
18	25-2503-12-12	FITTING 90 -12 M ORB/-12 M JIC	1	40	4172114.17	WLDMT - SKID PLATE, REAR	1
19	4167166	WHEEL ASSY-CHEV 22X11.0-10 LH	1	41	64139-31	BLT-WLFS 5/16-18 X 1	4
	4167166-01	TIRE-22X11-10 OTR CHEVER		42*	64061-25	ROLL PIN-1/4X1-1/4	1
	4167166-02	RIM-10X8.5 5BLT WHT		43	4173863	CAP-ROUND 0.375 X .5 X 1	10
	4167167	WHEEL ASSY-CHEV 21X11.0-10 RH	1	44	108094-02	CLAMP-HOSE SAE12	1
	4167166-01	TIRE-22X11-10 OTR CHEVER		45	64144-35	SNAP RING.688	1
	4167166-02	RIM-10X8.5 5BLT WHT		46	51-023	PINION GEAR FOR 220 778155	1
	4167168	WHEEL ASSY-FIELD TRX22X12.0-10	2	47	64144-40	SNAP RING-26MM INTERNAL	1
	4167168-01	TIRE-FIELD TRAX 22X12-10		48	64006-04	LOCKWSHR-5/8 HELICAL	4
	4167166-02	RIM-10X8.5 5BLT WHT		49	64163-16	WSHR 41/64X1-3/8X12 GA	4
	4175290	ASSY-WHEEL TURF 22X11-10 4PLY	2	50	64123-109	BLT-HEX 5/8-11X1-1/2	4
	4175290-01	TIRE-TURF, 22X11.00-10 4PLY		51	4174492	S-WLDMT - MIDFRAME	1
	4167166-02	RIM-10X8.5 5BLT WHT		52	25-6402-06-06	FITTING 6M ORING TO 6FJIC	1
20	25-3903-12-12	FITTING 90 -12 MJIC/ -12 F.JIC	1				
21	4175390	BUSHING-5/8MORB X 3/8FORB	1				
22	69051-07	PLUG-PIPE 3/4"	1				

*NOT ILLUSTRATED

REAR AXLE SUPPORT ASSEMBLY

STEINER 450

FIGURE 19



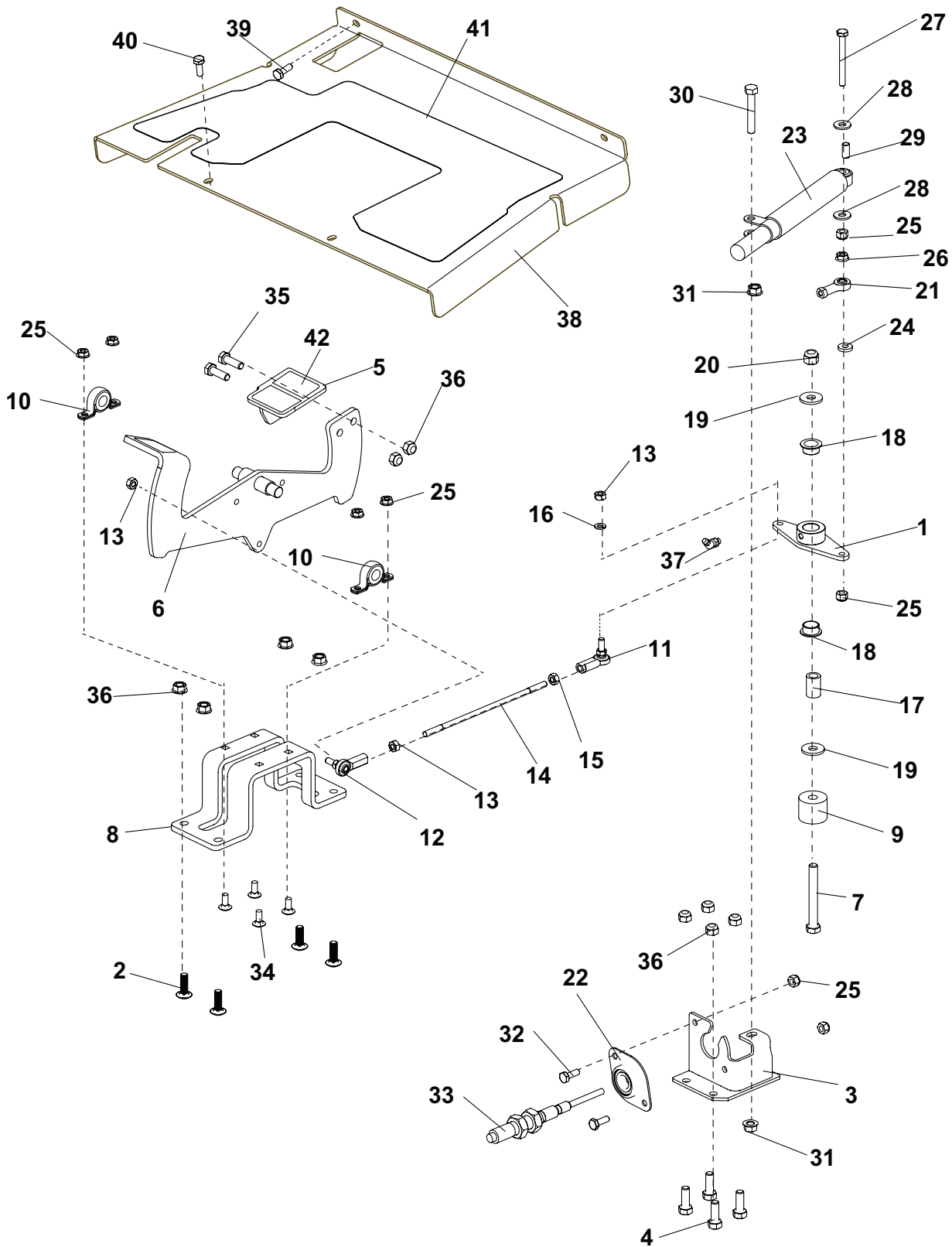
ITEM	PART NO.	DESCRIPTION	QTY	ITEM	PART NO.	DESCRIPTION	QTY
1	4174492	S-WLDMT MIDFRAME	1				
2	4172062.7	WLDMT-PIVOT BALL, MAIN	1				
3	4172087.7	WLDMT-REAR FRAME	1				
4	4172115.7	FENDER-INNER, RIGHT	1				
5	4172116.7	FENDER-INNER, LEFT	1				
6	4172120.7	PLT-KICK PANEL	1				
7	4173819.7	BRKT-REAR OIL FILTER	1				
8	4173825	10 MICRON OIL FILTER	1				
9	4173826	OIL FILTER HEAD, 12 ORB	1				
10	4166933-04	FITTING 90 12M ORB X 06M JIC	2				
11	64123-39	BLT-HEX 1/2-13X1-1/4	4				
12	05-034	GROMMET	1				
13	64018-15	BLT-CRG 5/16-18X1 SN	2				
14	64141-6	NUT-WLF 5/16-18	2				
15	64139-08	BLT-WLF 5/16-18X3/4	3				
16	64123-50	BLT-HEX 3/8-16X1	4				
17	64268-03	NUT-FL NYLON LOCK 3/8-16	4				
18	64268-05	NUT-FL NYLON LOCK 1/2-13	4				
19	64139-04	BLT-WLF 1/4-20X3/4	4				
20	64123-89	BLT-HEX 1/4-20X3/4	4				
21	64141-2	NUT-WLF 1/4-20	4				
22	64229-02	NUT-NYLON LOCK 5/16-18	2				
23	4167205	ROD-Ø5/8, WEIGHT KIT	1				
24	64168-4	COTTER-HAIRPIN .15 X 2.68	2				
25	64006-04	LOCKWSHR-5/8 HELICAL	5				
26	64018-40	BLT-CRG 5/8-11X2-1/2	1				
27	64025-21	NUT-HEX 5/8-11	1				
28	64123-117	BLT-HEX 1/2-13X1-1/2	4				
29	64229-05	NUT-NYLON LOCK 1/2-13	4				
30	4167182	ROD-SPANNER	1				
31	64151-9	NUT-HEX 1-14 ESNA	1				

*NOT ILLUSTRATED

FORWARD - REVERSE PEDAL ASSEMBLY

STEINER 450

FIGURE 20



STEINER 450

FORWARD - REVERSE PEDAL ASSEMBLY

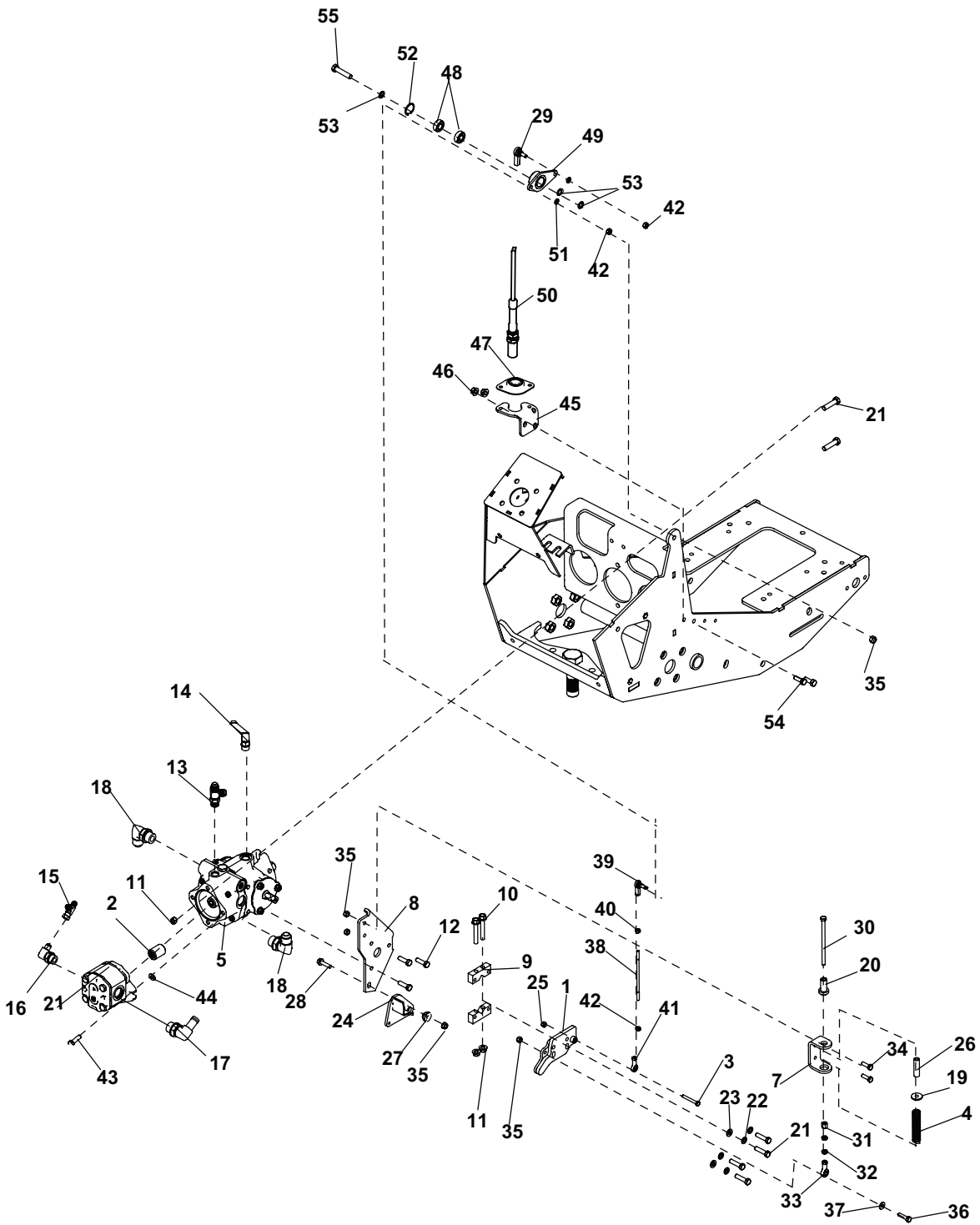
FIGURE 20

ITEM	PART NO.	DESCRIPTION	QTY	ITEM	PART NO.	DESCRIPTION	QTY
1	4166711.7	WLDMT-BELLCRANK FWD-REV	1	22	4130975	BRG-BALL FLUSH MT TWO BLT 5/8	1
2	64018-15	BLT-CRG 5/16-18X1 SN	4	23	47-128	STABILIZER SHOCK ABSORBER	1
3	4169495.7	WLDMT-CABLE MOUNT, BEARING	1	24	64163-86	WSHR- .265 X .625 X .125	1
4	64123-107	BLT-HEX 5/16-18X7/8	4	25	64229-01	NUT-NYLON LOCK 1/4-20	8
5	4174510	S-PEDAL, FOOT, BOLT ON INCLUDES ITEM 42	1	26	64141-2	NUT-WLF 1/4-20	1
6	4174509	S-WLDMT, FOOT PEDAL PLT	1	27	64123-297	BLT-HEX, 1/4-20 x 2-1/2 FL THR	1
7	64123-75	BLT-HEX 3/8-16 X 3	1	28	64163-55	WSHR .328X.75X14 GA	2
8	4173562.7	BRKT-FOOT PEDAL SUPPORT	1	29	4167711	TUBE-SPACER, .312 X .255 X .63	1
9	838790	SPACER-ENGINE MOUNT	1	30	64123-56	BLT-HEX 5/16-18X2	1
10	4117819	BEARING-PILLOW BLOCK 1/2	2	31	64141-6	NUT-WLF 5/16-18	2
11	4174061	ROD END-1/4-28LH W/ STUD	1	32	64123-89	BLT-HEX 1/4-20X3/4	2
12	4174062	ROD END-1/4-28RH W/ STUD	1	33	4172333	CABLE-CONTROL, 43.63	1
13	64025-23	NUT-HEX 1/4-28	3	34	64018-2	BLT-CRG 1/4-20X3/4	4
14	4167750	ROD-1/4-28 RH & LH THRD X 7.25"	1	35	64123-107	BLT-HEX 5/16-18X7/8	2
15	64025-45	NUT-HEX 1/4-28 LH	1	36	64229-02	NUT-NYLON LOCK 5/16-18	6
16	64006-01	LOCKWSHR-1/4 HELICAL	1	37	29-045	GREASE FITTING 1/4-28 45-DEG	1
17	2183071-03	SPACER-15.88X10.32X24	1	38	4174485	S-PLT-BASE, FEET INCLUDES ITEM 41	1
18	38304-07	BEARING-FLANGED PLASTIC	2	39	64139-04	BLT-WLF 1/4-20X3/4	2
19	64163-31	WSHR 25/64X1X12	2	40	64139-14	BLT-WLF 5/16-18X7/8	2
20	64229-03	NUT-NYLON LOCK 3/8-16	1	41	4173983	MAT-FLOOR PLATE, GRIP	1
21	43-004A	ROD END 1/4IN (ALL STEEL)	1	42	4167035	MAT-PEDAL	3

HYDRO PUMP ASSEMBLY

STEINER 450

FIGURE 21



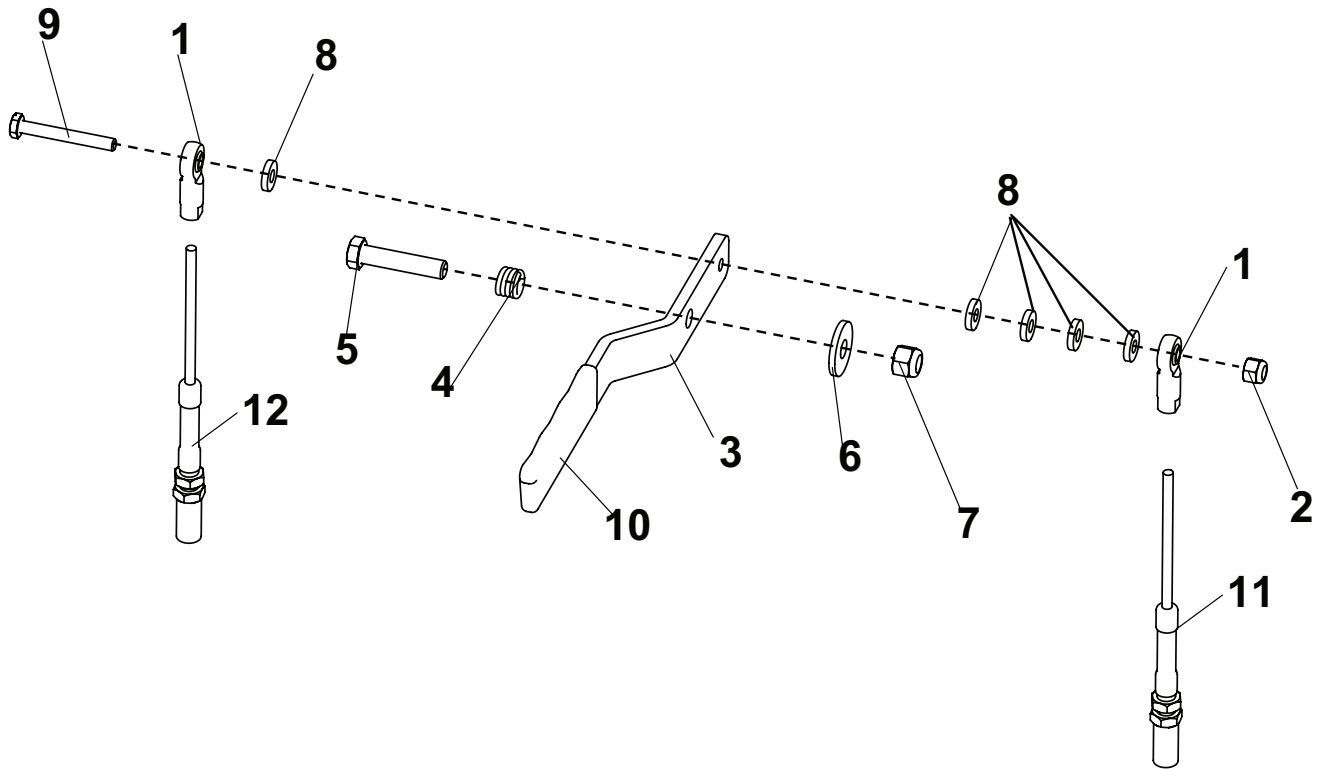
ITEM	PART NO.	DESCRIPTION	QTY	ITEM	PART NO.	DESCRIPTION	QTY
1	4171855.17	WLDMT-FWD REV PLATE	1	29	4174062	ROD END-1/4-28RH W/ STUD	1
2	4173221	COUPLER-GEAR PUMP	1	30	64123-309	BLT-HEX 5/16-24X5-1/2	1
3	64123-60	BLT-HEX 1/4-20X2	1	31	4172099	NUT-HEX, LONG 5/16-24	1
4	4166927	SPRING, COMPRESSION	1	32	64001-11	NUT-JAM 5/16-24	2
5	4166015	PUMP-HYDRO, 1.24 EATON	1	33	4143595-01	ROD END-FEMALE	1
6	4172141	PUMP - GEAR	1	34	64123-68	BLT-HEX 5/16-18X1	2
7	4172123.7	BRKT-MTG SPRNG CTRL	1	35	64229-02	NUT-NYLON LOCK 5/16-18	5
8	4172122.7	PLT - SPRING BRKT MNTNG	1	36	64123-47	BLT-HEX 5/16-18X1-1/4	1
9	4169966	CLAMP-PUMP LEVER	2	37	64163-55	WSHR .328X.75X14 GA	1
10	64262-025	BLT-FLG HD 3/8-16 X 2-1/2	2	38	4169542	ROD-1/4-28 X 6	1
11	64268-03	NUT-FL NYLON LOCK 3/8-16	4	39	4174061	ROD END-1/4-28LH W/ STUD	1
12	64123-16	BLT-HEX 3/8-16X1-1/4	3	40	64025-45	NUT-HEX 1/4-28 LH	1
13	4166934-01	FITTING RUN TEE	1	41	43-004A	ROD END 1/4IN	1
14	108205-02	ELBOW MALE 45 8X8	1	42	64025-23	NUT-HEX 1/4-28	3
15	25-063T-6-6	NUT RUN TEE SWIVEL	1	43	64189-29	BLT-HEX SOC 3/8-16X1-1/4	2
16	25-2503-10-6	FITTING 90 -10 MORBx6 M	1	44	64163-46	WSHR.383/.393X.88X7GA	2
17	158058-05	FITTING-90 BARB ADJ	1	45	64268-02	NUT-FL NYLON LCK 5/16-18	2
18	25-2503-12-12	FITTING 90 -12 M ORB/-12	2	46	4173549.7	BRKT-CABLE BEARING	1
*	158061-13	S- O-RING -912	1	47	4130975	BRG-BALL FLUSH MT	1
19	123032	BUSHING-NTRAL CNTRL	1	48	4128004	BEARING-BALL 10 X 26 X 8	2
20	2193046	BUSHING-NTRAL CNTRL	1	49	4173210.7	WLDMT-UPPER BELLCRANK	1
21	64123-70	BLT-HEX 3/8-16X1-1/2	8	50	4172333	CABLE-CONTROL,43.63	1
22	64006-03	LOCKWSHR-3/8 HELICAL	4	51	64006-01	LOCKWSHR-1/4 HELICAL	2
23	64163-105	WASHER-.406X75X .134	2	52	64144-40	SNAP RING-26MM	1
24	4173470.7	WLDMT-LEVER NEUTRAL L	1	53	64163-04	WSHR 25/64X5/8X16GA	3
25	64229-01	NUT-NYLON LOCK 1/4-20	1	54	64123-107	BLT-HEX 5/16-18X7/8	2
26	4162978-006	HOSE, FUEL LINE 5/16 x 70"	1	55	64123-87	BLT-HEX 3/8-16 X 1-3/4	1
27	4166592	BUSHING-.328 X .620 X 1.00	1				
28	64262-008	BLT-FLG HD 5/16-18 X 1-1/4	1				

*NOT ILLUSTRATED

SHIFTER ASSEMBLY

STEINER 450

FIGURE 22



STEINER 450

SHIFTER ASSEMBLY

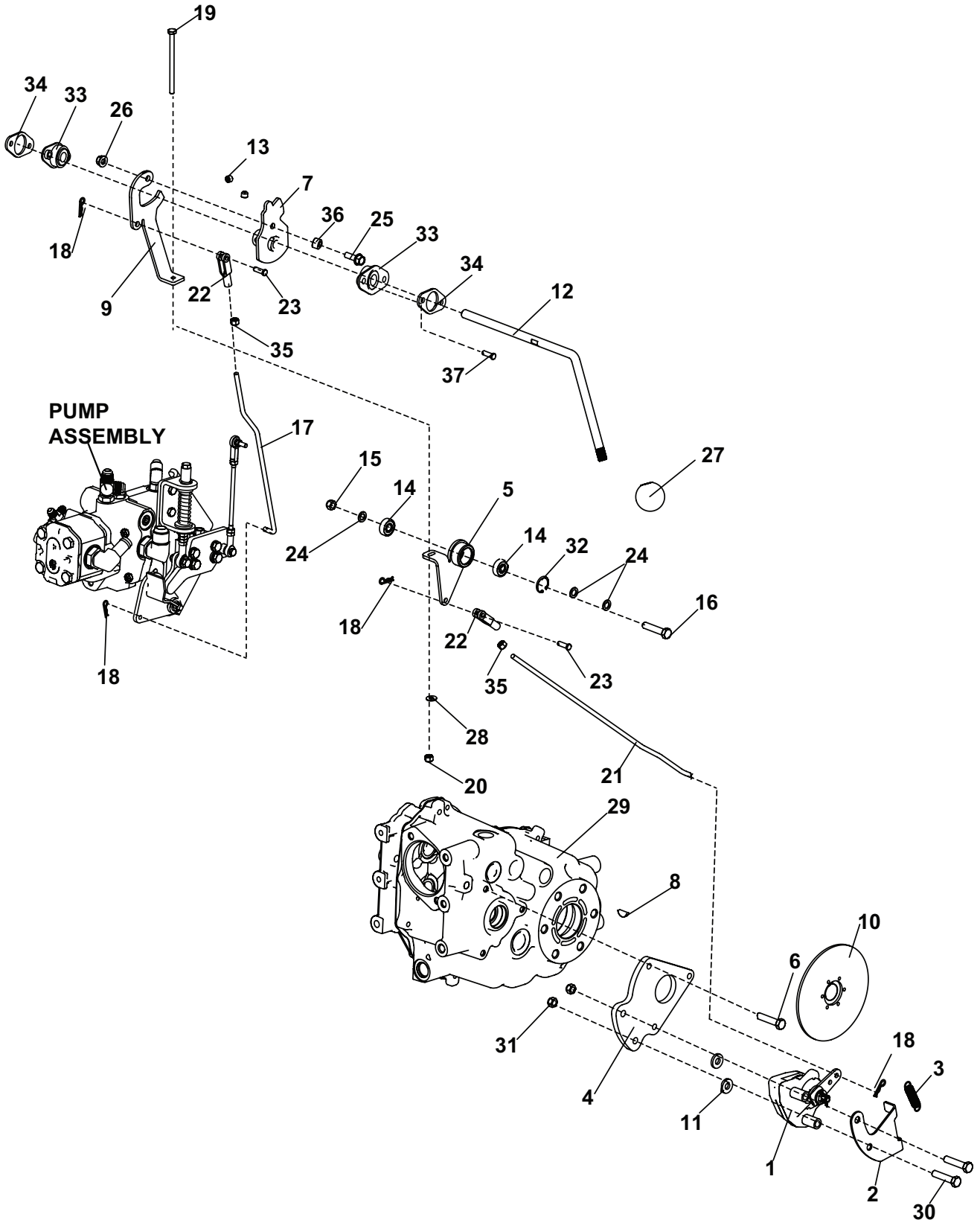
FIGURE 22

ITEM	PART NO.	DESCRIPTION	QTY	ITEM	PART NO.	DESCRIPTION	QTY
1	43-004X	ROD END SPHERICAL 1/4 X 10-32	2				
2	64229-01	NUT-NYLON LOCK 1/4-20	1				
3	4166515.7	BRKT-LEVER, SHIFTER	1				
4	41-039	SPRING, COMPRESSION	1				
5	64123-87	BLT-HEX 3/8-16 X 1-3/4	1				
6	2308066	WASHER-FRICTION	1				
7	64229-03	NUT-NYLON LOCK 3/8-16	1				
8	64163-86	WSHR- .265 X .625 X .125	5				
9	64123-60	BLT-HEX 1/4-20X2	1				
10	38404-03	GRIP-CONTROL LEVER	1				
11	4172334	CABLE-SHIFTER, 80"	1				
12	4172335	CABLE-SHIFTER, 25"	1				

BRAKE ASSEMBLY

STEINER 450

FIGURE 23



STEINER 450

BRAKE ASSEMBLY

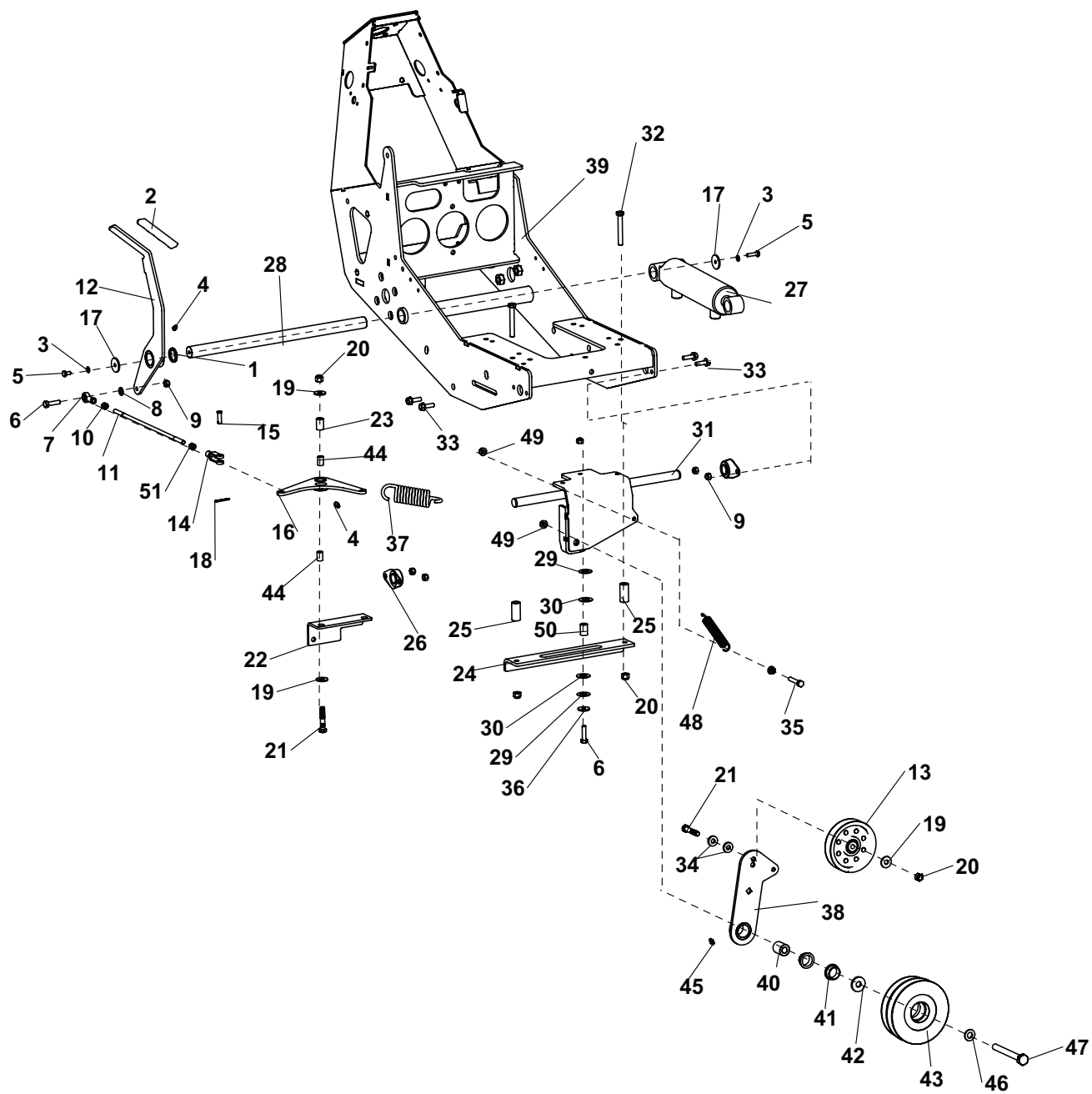
FIGURE 23

ITEM	PART NO.	DESCRIPTION	QTY	ITEM	PART NO.	DESCRIPTION	QTY
1	4174259	CALIPER-BRAKE 6:00 LEVER INCLUDES ITEMS 30 & 31	1				
2	4172133.7	BRKT-STOP, SPRING RETURN	1				
3	4164627	SPRING-EXT, .5 X 2.25 X .055	1				
4	4172134.7	BRKT-CALIPER MTG	1				
5	4173469.7	PLT-BELL CRANK, BRAKE	1				
6	64139-31	BLT-WLFS 5/16-18 X 1	3				
7	4173466.7	WLDMT-BRAKE PLT, BUSH	1				
8	64164-19	KEY, WOODRUFF 3/16 X 3/4 #606	1				
9	4173465.7	PLT-OVER CENTER LINK, BRAKE	1				
10	4166353	ROTOR-BRAKE, PARKING	1				
11	64163-69	WSHR .391X.88X10 GA	2				
12	4173461	ROD-LEVER, PARK BRAKE	1				
13	64044-26	SCREW-SET 5/16-24 X 1/4	2				
14	4128004	BEARING-BALL 10 X 26 X 8	2				
15	64229-03	NUT-NYLON LOCK 3/8-16	1				
16	64123-87	BLT-HEX 3/8-16X1-3/4	1				
17	4173464	ROD - NEUTRAL LOCK	1				
18	64168-2	COTTER-HAIRPIN .08 X 1.19	4				
19	64123-205	BLT-HEX 5/16-24X4	1				
20	64229-08	NUT-NYLON LOCK 5/16-24	1				
21	4173463	ROD - BRAKE LEVER	1				
22	38020-03	CLEVIS-YOKE, 1/4-28 X 1/4	2				
23	64188-72	PIN-CLEVIS 1/4 X .796	2				
24	64163-04	WSHR 25/64X5/8X16GA	3				
25	64262-007	BLT-FLG HD 5/16-18 X 1	1				
26	64268-02	NUT-FL NYLON LOCK 5/16-18	1				
27	47-038	KNOB LARGE #44-AH 1/2-20 NF	1				
28	64163-55	WSHR .328X.75X14 GA	1				
29	4172139	TRANSAXLE - 20.4:1	1				
30	64123-172	BLT-HEX 3/8-24X4	2				
31	64001-2	NUT-HEX JAM 3/8-24	2				
32	64144-40	SNAP RING-26MM INTERNAL	1				
33	4173444	BRG-FLG, BRZ SELF ALIGN, 1/2"	2				
34	4173445.7	SPACER-BEARING	2				
35	64025-23	NUT-HEX 1/4-28	2				
36	525268	BUSHING-.328 X .500X .265	1				
37	64218-10	SCR-1/4-20 X 1/2 BTN HD SHCS	4				

PTO DRIVE ASSEMBLY

STEINER 450

FIGURE 24

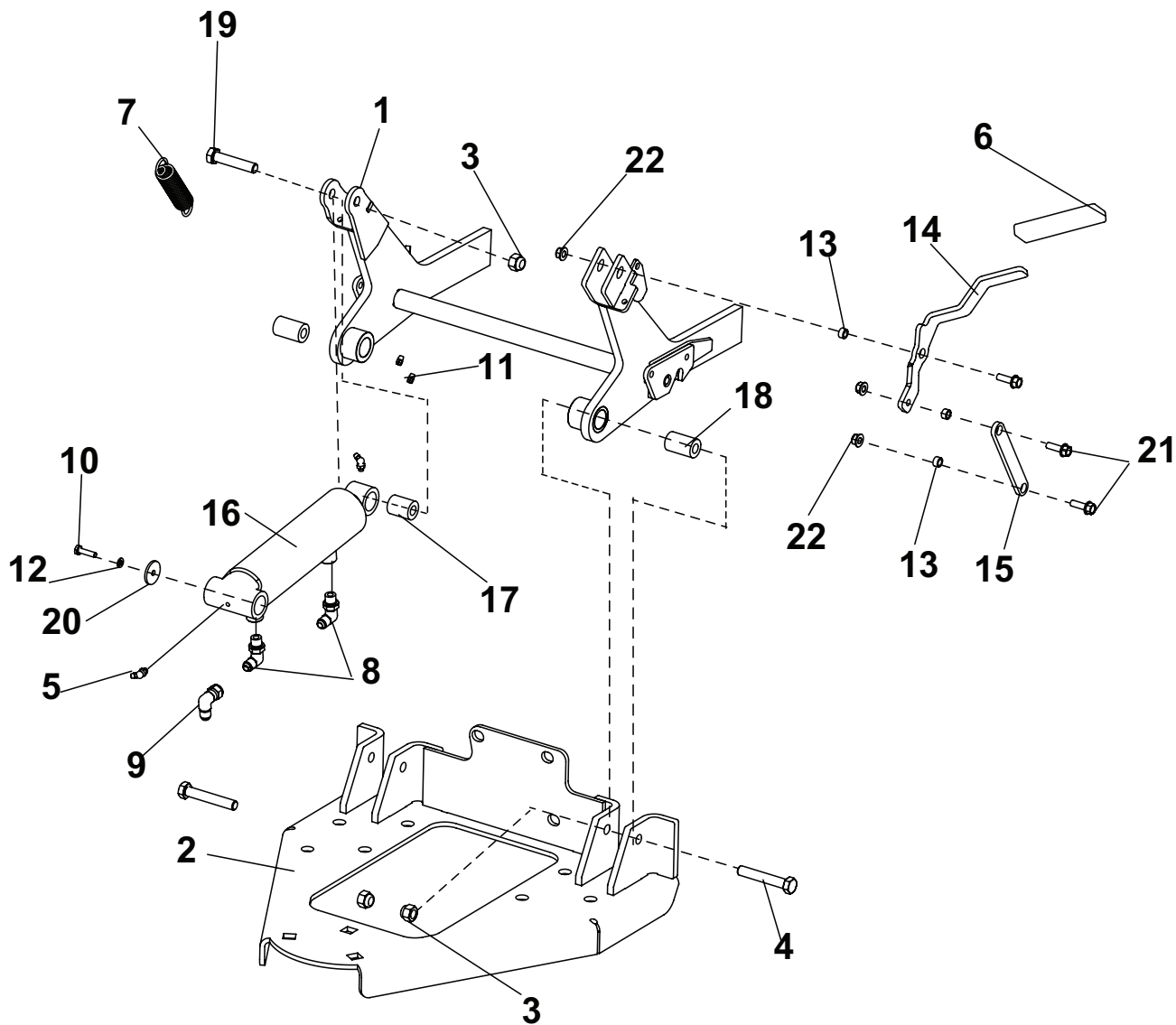


ITEM	PART NO.	DESCRIPTION	QTY	ITEM	PART NO.	DESCRIPTION	QTY
1	4167335	SPRING-WAVE 1.0 ID	1	40	4166310	PIVOT-IDLER .516 X 1 X 1.188	1
2	38404-03	GRIP-CONTROL LEVER	1	41	38304-05	BEARING-FLANGED PLASTIC	2
3	64006-01	LOCKWSHR-1/4 HELICAL	2	42	64163-99	WSHR-.510X1.31X.179	1
4	85010N	ZERK 1/4-28 STR SLF THRD	3	43	4174751	S-ASSY-DBL PULLEY/BEARING	1
5	64123-49	BLT-HEX 1/4-20X1/2	2			INCLUDES 44-45	
6	64123-47	BLT-HEX 5/16-18X1-1/4	2	44	38304-07	BRG-FLG .625X.71 X.938 X.38	2
7	4143595-02	ROD END-FEMALE 5/16-24 LH	1	45	29-045	GREASE FITTING 1/4-28 45-DEG	2
8	64163-95	WSHR-.344X.688X.065	1	46	64163-67	WASHER: .516 X 1.00 X .105	1
9	64229-02	NUT-NYLON LOCK 5/16-18	6	47	64123-304	BLT-HEX 1/2-13X4-3/4	1
10	64025-33	NUT-HEX 5/16-24 LH	1	48	2188131	SPRING, EXT	1
11	4166690	ROD-5/16-18 X 12.0 PTO ADJ	1	49	64141-6	NUT-WLF 5/16-18	2
12	4166684.7	BRKT-ARM TENSIONER PTO	1	50	4167408	SPACER-.328 X .625 X .480	1
13	2308000	PULLEY-IDLER 4.00 EOD	1	51	64025-03	NUT-HEX 5/16-24	1
14	38020N	CLEVIS YOKE 5/16 PLATE	1				
15	64188-02	PIN-CLEVIS 5/16 X 1.0	1				
16	4166516.7	LEVER-SPRING, ADJUSTER	1				
17	64163-104	WSHR-271X1.240.268X.12	2				
18	64140-1	COTTER PIN-1/8X1	1				
19	64163-31	WSHR 25/64X1X12	3				
20	64229-03	NUT-NYLON LOCK 3/8-16	4				
21	64123-67	BLT-HEX 3/8-16 X 2	2				
22	4172101.7	BRKT-MTG LEVER SPRING ADJ	1				
23	2183071-03	SPACER	1				
24	4166295.7	ANGLE-FRONT IDLER STOP	1				
25	2183063-05	SPACER 32MM LONG	2				
26	2188145	BEARING-.75 BR2 SLF ALGN	2				
27	4173074	CYLINDER 2-1/4 X 5-1/2 IN HYD.	1				
28	4174044	ROD-DIA1.0IN X 17.79	1				
29	64163-93	WASHER-.63/.65 X 1.12 X .062	2				
30	4166312	WSHR-PLASTIC .63 X 1.81 X .06	2				
31	4172066	WLDMT- BRKT, FRONT IDLER	1				
32	64123-88	BLT-HEX 3/8-16X2-3/4	2				
33	64262-007	BLT-FLG HD 5/16-18 X 1	4				
34	64163-46	WSHR.383/.393X.88X7GA	2				
35	64123-61	BLT-HEX 5/16-18X1-3/4	1				
36	64163-29	WASHER-21/64 X 1 X 11GA	1				
37	4166571	SPRING-EXTENSION, 1-1/2 X 5	1				
38	4166314.7	ARM-IDLER FRT	1				
39	4174480	S-WLDMT, FRAME FRONT	1				

FRONT HITCH LIFT ASSEMBLY

STEINER 450

FIGURE 25

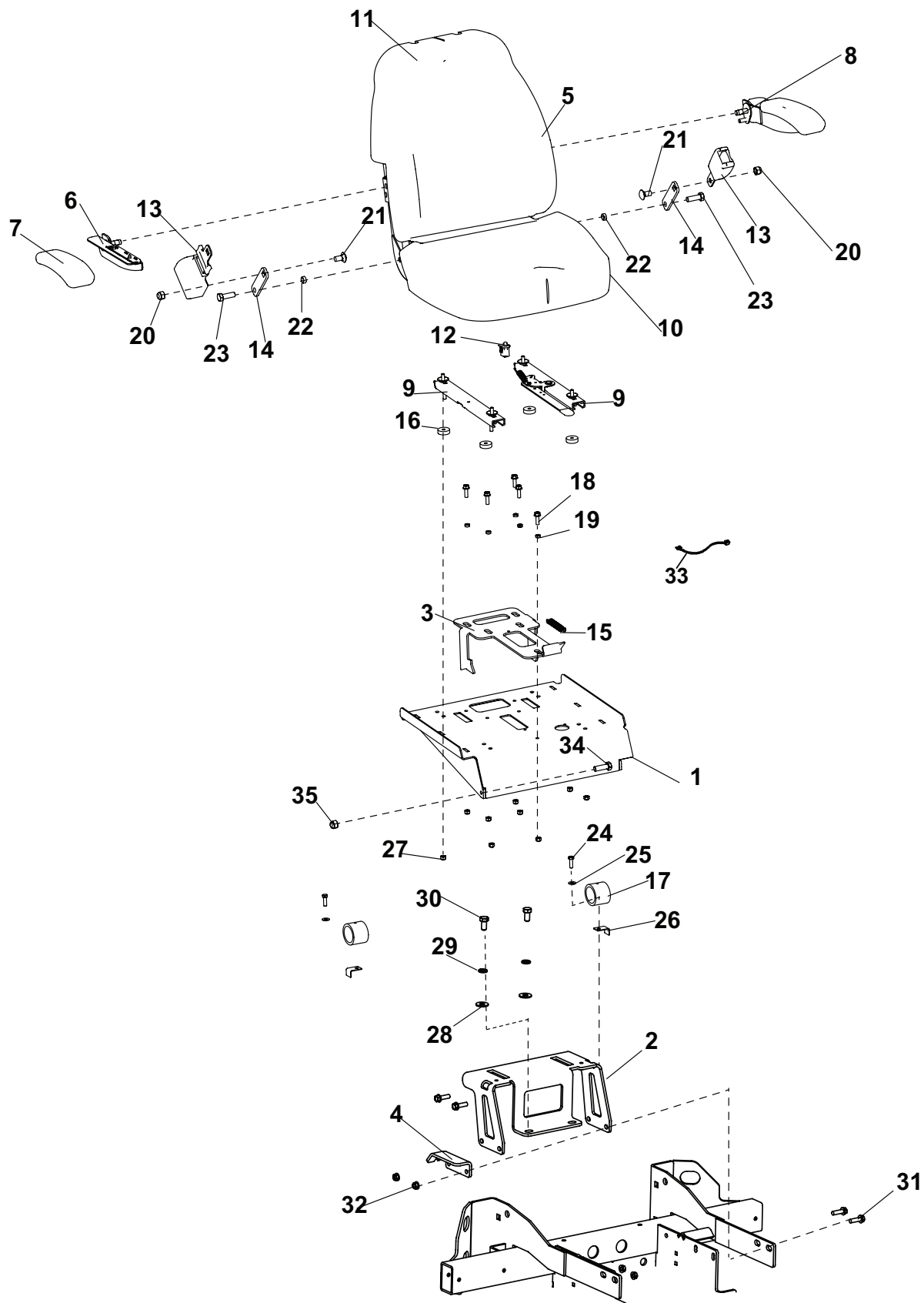


ITEM	PART NO.	DESCRIPTION	QTY	ITEM	PART NO.	DESCRIPTION	QTY
1	4173363.17	WLDMNT-LIFT ARM ASSY (INCLUDES ITEM 11)	1				
2	4172020.7	PLATE-LOWER AXLE SUPPORT	1				
3	64229-05	NUT-NYLON LOCK 1/2-13	3				
4	64123-31	BLT-HEX 1/2-13X3	2				
5	29-045	GREASE FITTING 1/4-28 45°	2				
6	2188155	GRIP-1/4 X 1 X 4-1/2	1				
7	2308133	SPRING-EXTENSION	1				
8	25-2503-6-6	FITTING 90 -6 M ORB X -6 M JIC	2				
9	25-3903-6-6	FITTING 90 -6 MJIC X -6 F.JIC	1				
10	64123-49	BLT-HEX 1/4-20X1/2	1				
11	85010N	ZERK 1/4-28 STR SELF TAP	2				
12	64006-01	LOCKWSHR-1/4 HELICAL	1				
13	515268	BUSHING-.328X.500X.265	3				
14	4172556.7	HANDLE - LATCH RELEASE	1				
15	4172780.7	LINK - LIFT/LATCH ASEMBLY	1				
16	4173074	CYLINDER 2-1/4 X 5-1/2 IN HYD.	1				
17	4172736	SPACER-CYL .515 X 1.0 X 1.295	1				
18	4173500	SPACER-ARM .515 X 1.0 X 1.530	2				
19	64123-72	BLT-HEX 1/2-13X2-1/2	1				
20	64163-104	WSHR-.271/.291X1.240/1.268X.12	1				
21	64262-007	BLT-FLG HD 5/16-18 X 1	3				
22	64268-02	NUT-FL NYLON LOCK 5/16-18	3				

SEAT ASSEMBLY

STEINER 450

FIGURE 26



ITEM	PART NO.	DESCRIPTION	QTY	ITEM	PART NO.	DESCRIPTION	QTY
1	4173103.7	WLDMNT-SEAT PLATE	1				
2	4173106.7	BRKT-SEAT BASE	1				
3	4172992.17	PLT - SLIDER, SEAT LATCH	1				
4	4173050.7	BRKT- SHIFTER CABLE, REAR	1				
5	4173284	SEAT - W/STEINER LOGO INCLUDES ITEMS 6-12	1				
6	4169174-02	ARMREST-RH	1				
7	4165316-02	ARMREST PAD	1				
8	4169174-03	ARMREST-LH	1				
9	4173284-03	TRACK-6" SLIDING SEAT	1				
10	4173284-04	COVER-SEAT CUSHION	1				
11	4173284-08	COVER-SEAT BACK	1				
12	4124009	SWITCH-SEAT	1				
13	4170488	SEAT BELT	1				
14	4173449.7	FLAT-EXT. SEAT BELT	2				
15	C100034	SPRING, CLUTCH CABLE	1				
16	2720975-07	SPACER-NYLON 3/8IN	4				
17	4165676	BUMPER-RADIAL	2				
18	64262-007	BLT-FLG HD 5/16-18 X 1	5				
19	517226	BRG, SLV .33 X .50 X .20	5				
20	64229-05	NUT-NYLON LOCK 1/2-13	2				
21	64018-6	BLT-CRG 1/2-13X1	2				
22	4167820-02	SPACER-SEAT BELT	2				
23	64123-05	BLT-HEX 1/2-20 X 1-1/2	2				
24	64123-68	BLT-HEX 5/16-18X1	2				
25	64163-55	WSHR .328X.75X14 GA	2				
26	4166689.7	STOP-ROTATIONAL	2				
27	64229-02	NUT-NYLON LOCK 5/16-18	9				
28	64163-19	WSHR 33/64X1-1/4X12GA	2				
29	64006-05	LOCKWSHR-1/2 HELICAL	2				
30	64123-73	BLT-HEX 1/2-13X1	2				
31	64139-18	BLT-WLF 3/8-16X1-1/4	4				
32	64141-4	NUT-WLF 3/8-16	4				
33	4143068	JUMPER SEAT SWITCH	1				
34	64123-87	BLT-HEX 3/8-16X1-3/4	2				
35	64151-18	NUT-HEX 3/8-16 CTR LOCK	2				

FIGURE 27

1A

75-75037	STARTER RELAY	ENGINE RELAY
FAN RELAY	LIGHTS & ACC RELAY	SAFETY SHUTOFF RELAY

A1

2A

75-75037			4173989
ENG & FUEL PUMP 30A		LIGHTS 10A	
ACC & WT TRANS 25A		PTO 10A	
COOLING FAN 20A	12V OUTLET 15A	IGNITION 10A	STARTER 5A

A1

1B

75-75025	STARTER RELAY	ENGINE RELAY
	LIGHTS & ACC RELAY	SAFETY SHUTOFF RELAY

A1

2B

75-75025			4173987
	12V OUTLET 15A		SHUTOFF TIMER 5A
ENG & FUEL PUMP 30A	LIGHTS 15A	PTO 10A	STARTER 5A
ACC & WT TRANS 25A	SHUTOFF SOLENOID 15A	IGNITION 10A	GLOW PLUG TIMER 5A

A1

1C

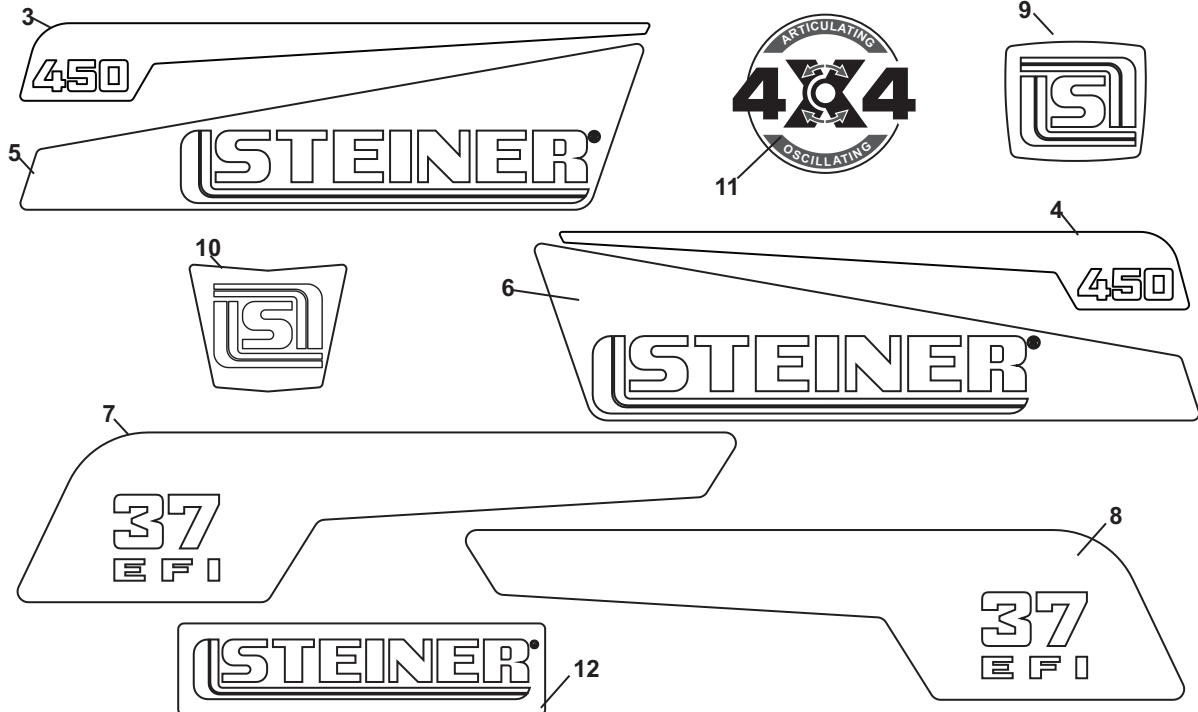
75-75032	STARTER RELAY	ENGINE RELAY
	LIGHTS & ACC RELAY	SAFETY SHUTOFF RELAY

A1

2C

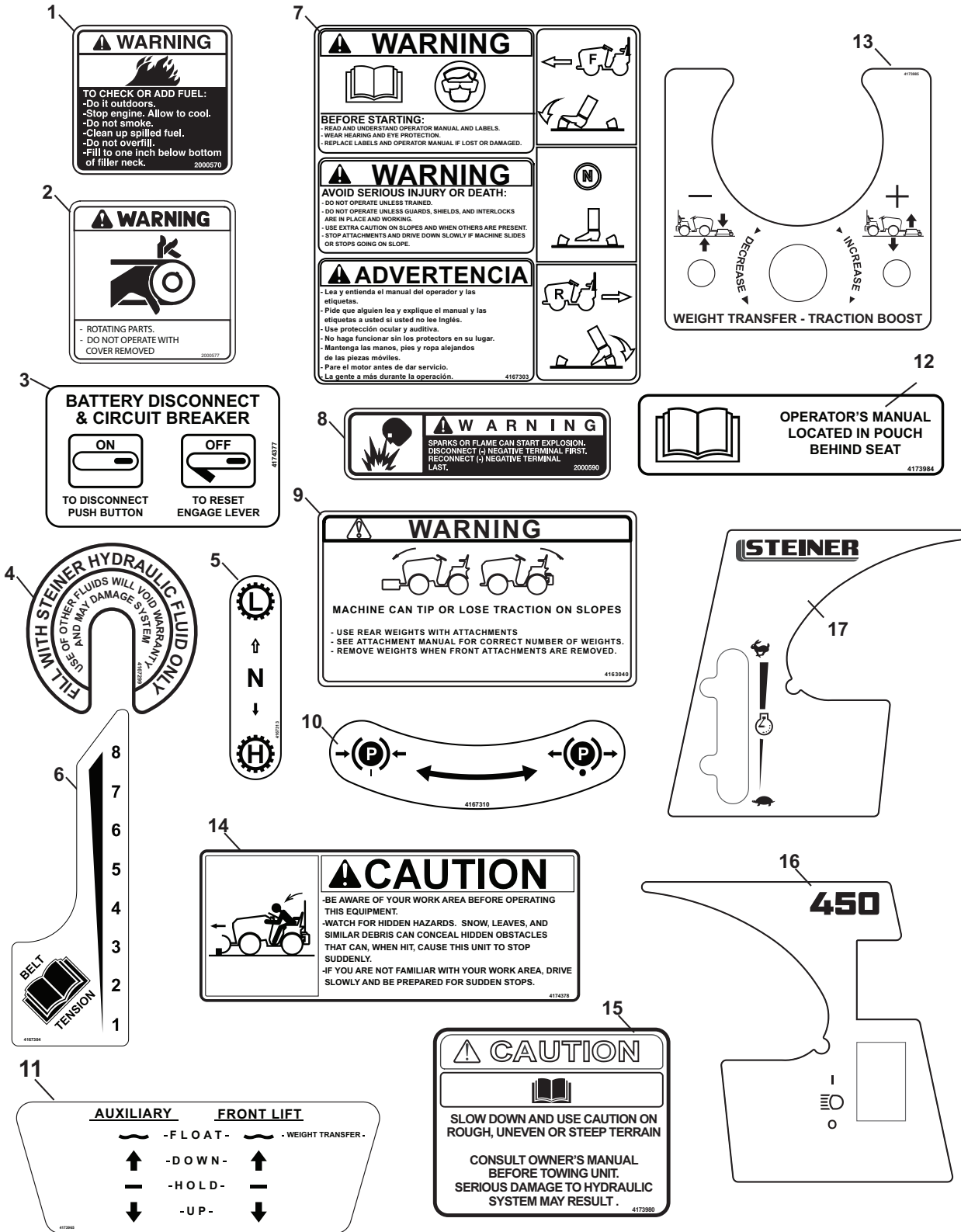
75-75032			4173991
			FUEL SHUTOFF 5A
ENG & FUEL PUMP 30A	LIGHTS 10A	PTO 10A	STARTER 5A
ACC & WT TRANS 25A	12V OUTLET 15A	IGNITION 10A	

A1



ITEM	PART NO.	DESCRIPTION	QTY	ITEM	PART NO.	DESCRIPTION	QTY
1A	4173988	DECAL-450 EFI RELAY	1				
1B	4173986	DECAL-450 DIESEL RELAY					
1C	4173990	DECAL-450 LC RELAY					
2A	4173989	DECAL-450 EFI FUSE	1				
2B	4173987	DECAL-450 DIESEL FUSE					
2C	4173991	DECAL-450 LC FUSE					
3	4173916	DECAL,-450 HOOD LEFT	1				
4	4173917	DECAL,-450 HOOD RIGHT	1				
5	4173920	DECAL-450 SIDE PANEL RIGHT	1				
6	4173919	DECAL-450 SIDE PANEL LEFT	1				
7	4173925	DECAL, 450 FUEL TANK-EFI	1				
	4173921	DECAL, 450 FUEL TANK DIESEL					
	4173923	DECAL, 450 FUEL TANK LC					
8	4173926	DECAL, 450 BATT COMP-EFI	1				
	4173922	DECAL, 450 BATT COMP-DIESEL					
	4173924	DECAL, 450 BATT COMP-LC					
9	4167336	DECAL-STEERING WHEEL	1				
10	4173918	DECAL-450 GRILL FRONT	1				
11	4167282	DECAL- 4X4, STEINER	2				
12	4167312	DECAL-STEINER REAR	1				

FIGURE 28



STEINER 450

DECALS

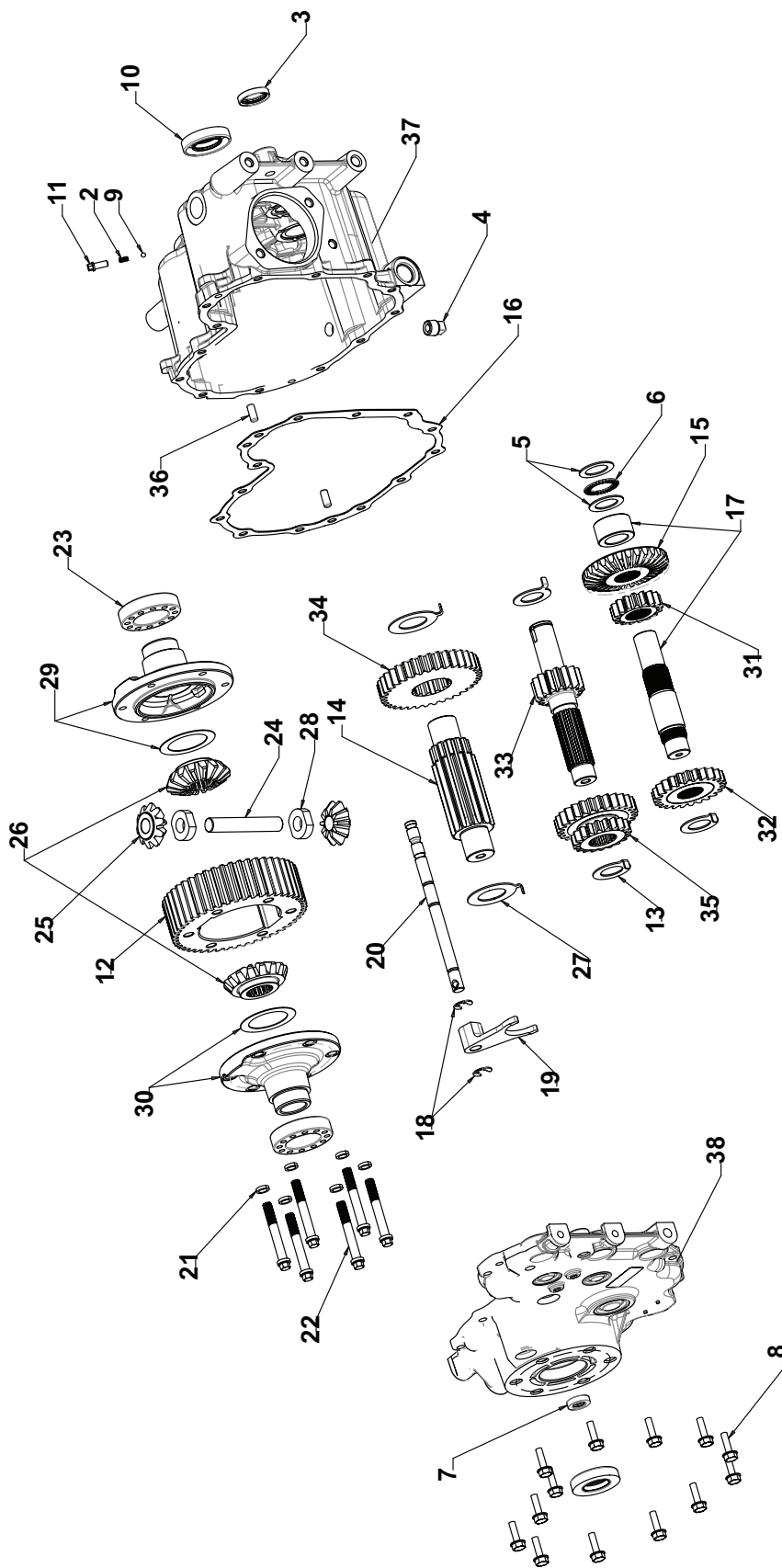
FIGURE 28

ITEM	PART NO.	DESCRIPTION	QTY	ITEM	PART NO.	DESCRIPTION	QTY
1	2000570	LABEL-WARN FUEL PICT.	1				
2	2000577	LABEL WARNING	2				
3	4174377	DECAL- CIRC BREAKER	1				
4	4167299	DECAL-FLUID FILL, STEINER	1				
5	4167313	DECAL-H/L SHIFTER	1				
6	4167304	DECAL-BELT TENSION	1				
7	4167303	DECAL-WARN/INSTR	1				
8	2000590	LABEL WARN BATTERY	1				
9	4163040	LABEL-WEIGHT WARNING	1				
10	4167310	DECAL-PARKING BRAKE	1				
11	4173965	DECAL-LIFT/AUX CONTROLS	1				
12	4173984	DECAL-USER MANUAL LOCAT	1				
13	4173985	DECAL-WGHT TRANSFER CNTRL	1				
14	4174378	DECAL-CAUTION, SUDDEN STOP	1				
15	4173980	DECAL-TOWFLUID WARN	1				
16	4173928	DECAL-DASH,STEINER RH	1				
17	4173927	DECAL-DASH,STEINER LH	1				

PEERLESS TRANSAXLE

STEINER 450

FIGURE 29



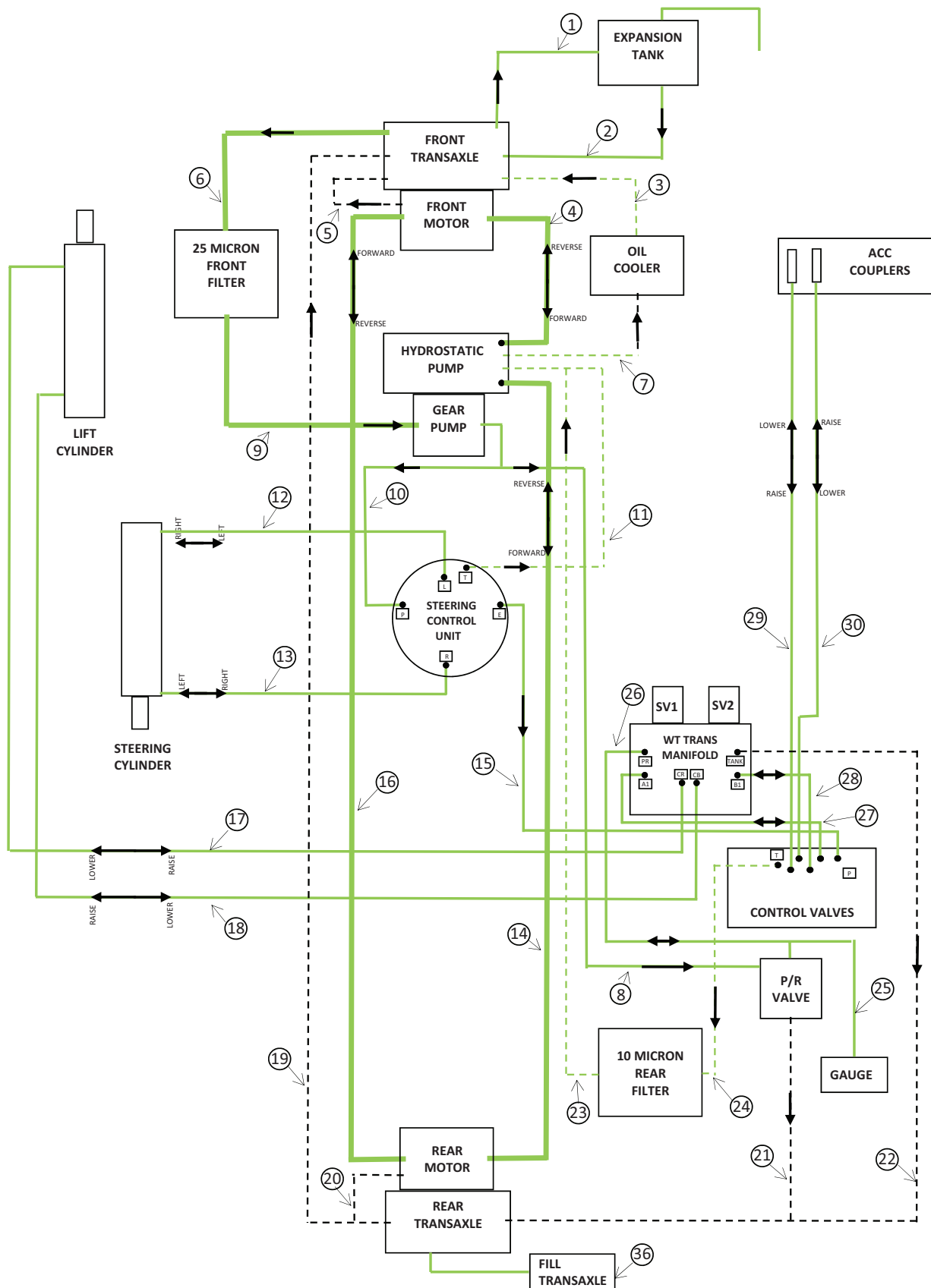
STEINER 450

PEERLESS TRANSAXLE

FIGURE 29

ITEM	PART NO.	DESCRIPTION	QTY	ITEM	PART NO.	DESCRIPTION	QTY
1	4172139	TRANSAXLE-PEERLESS 2600-032	2				
2	51-792003	DETENT-SPRING	1				
3	89-008	SEAL-OIL 1.0 ID	1				
4	69051-06	PIPE PLUG-3/8 INT W/MAGNET	1				
5	51-780045	WASHER 1.002ID .016W	2				
6	51-780012	BEARING-THRUST 1.002 .0781	1				
7	89-007	SEAL OIL .5000 ID	1				
8	51-792067	BOLT-HEX HD 5/16-18 THD	13				
9	51-792004	BALL 3/16 DIA	1				
10	89-006	SEAL OIL 1.125 ID	2				
11	51-792100	BOLT-HEX HD 1/4-20 X .625	1				
12	51-778156	S- RING GEAR 47T 2600	2				
13	51-780157	WASHER 1.002ID .058W	3				
14	51-776120B	SHAFT-OUTPUT 2500 13T	1				
15	51-778087	GEAR-BEVEL 30T STL SER	1				
16	51788058B	GASKET	1				
17	51-776209A	SPACER-COUNTERSHAFT	1				
18	51-792064	RING-RETAINING .500 X .050 2	2				
19	51-784195	FORK-SHIFT 2500	1				
20	51-784326A	ROD-SHIFT HIGH-LOW	1				
21	51-792011	LOCKWASHER .375ID	6				
22	51-792101	BOLT-HEX HD 3/8-16 2.75	6				
23	51-780125	BEARING-BALL 1.5743 ID	2				
24	51-786096	SHAFT-PIN DIFF 2600	1				
25	51-778157	PINION-BEVEL 10T STL	2				
26	51-778158	GEAR-BEVEL 16T STL	2				
27	51-780156	WASHER TABBED THRUST	1				
28	51-786098	BLOCK-DRIVE	2				
29	51-774486A	DIFF CARRIER AND WSHER	1				
30	51-774490A	DIFF CARRIER AND WSHER	1				
31	51-778088	GEAR 16 TOOTH	1				
32	51-778236	SPUR GEAR 21T	1				
33	51-776350	SHAFT-SHIFTER BRAKE	1				
34	51-778307	GEAR-SPUR 35T STL	1				
35	51-778235	SPUR GEAR SHIFTER 22T 27T	1				
36	51-786026	PIN-DOWEL 5/16 X 3/4	2				
37	51-770152A	CASE ASSY. W/BEARINGS	1				
38	51-772169	TRANSAXLE CASE W/BRNGS	1				

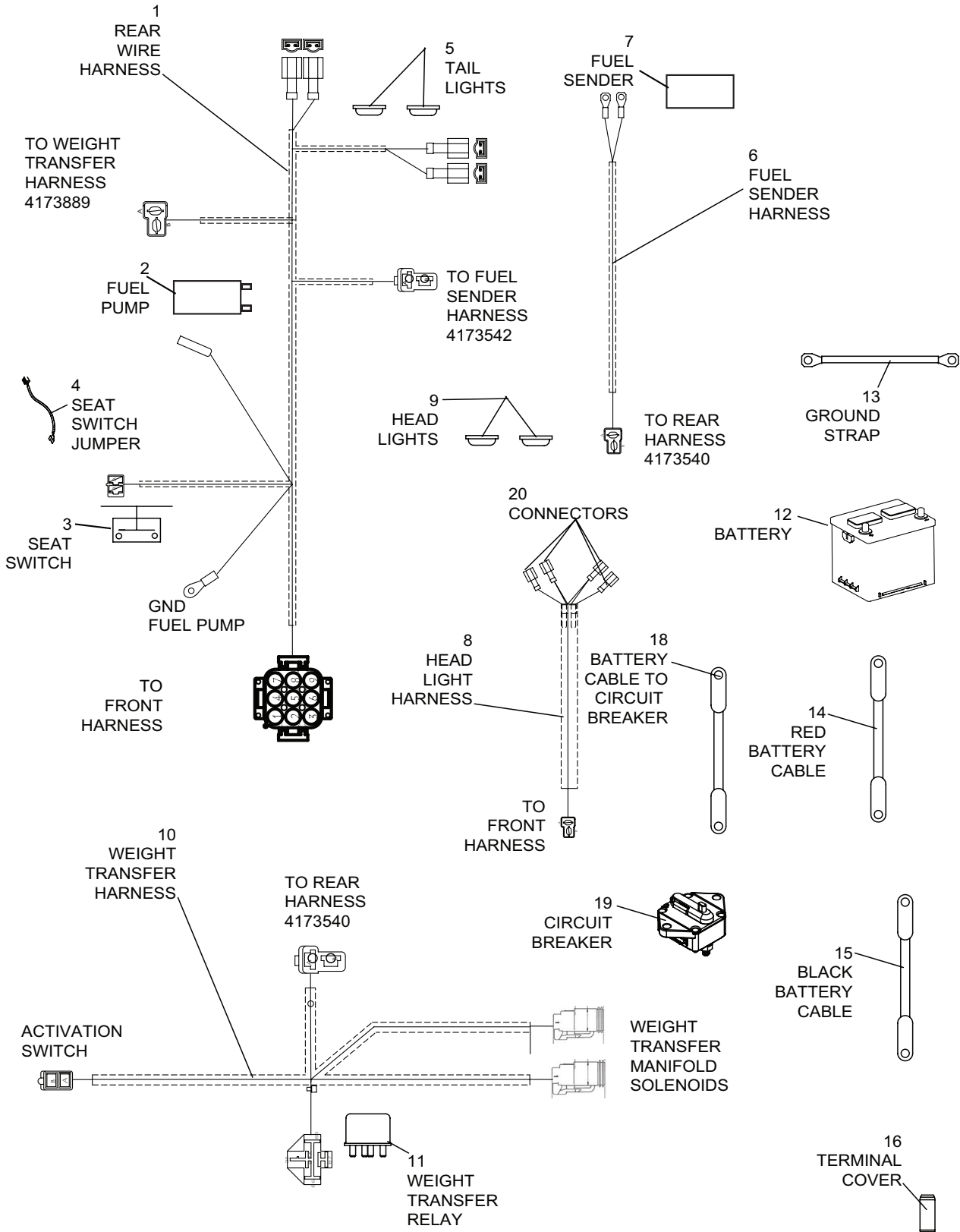
FIGURE 30



ITEM	PART NO.	DESCRIPTION	QTY	ITEM	PART NO.	DESCRIPTION	QTY
1	4166829-04	HOSE-3/8 CLEAR VENT X 47.00	1				
2	4166829-04	HOSE-3/8 CLEAR VENT X 47.00	1				
3	2692305-14	HOSE-#8 JIC/90 JIC X 26"	1				
4	4170463-01	HOSE-#12 JIC/90° JIC HP X 17.00	1				
5	4167476-01	HOSE- #6, 6JIC/ 90 8JIC X 10"	1				
6	4174701-03	HOSE-3/4 VACUUM PRECUT X 24.5	1				
7	2692305-15	HOSE-#8 JIC/90S JIC X 11.5"	1				
8	4166826-06	HOSE-#6-6 JIC/45JIC 77IN	1				
9	4174701-02	HOSE-3/4 VACUUM PRECUT X 19	1				
10	4166839-02	HOSE - 6- JIC/JIC X 18.50	1				
11	4166840-01	HOSE-#6 JIC/90 JIC X 13.50	1				
12	4166828-02	HOSE-#4-6 JIC/90 JIC X 43.50	1				
13	4166828-01	HOSE-#4-6 JIC/90 JIC X 38.50	1				
14	4169240-01	HOSE-#12 JIC/JIC X 86.25	1				
15	4166840-02	HOSE-#6 JIC/90 JIC X 101.50	1				
16	4166830-03	HOSE-#12 JIC/JIC X 70.50	1				
17	4166826-02	HOSE-#4-6 JIC/45 JIC X 75.50	1				
18	4166826-01	HOSE-#4-6 JIC/45 JIC X 69.00	1				
19	4166843-01	HOSE-#6-8 JIC/90 6 JIC X 53.25	1				
20	4166841-02	HOSE-#6 JIC/45 JIC X 17.00	1				
21	4173743	HOSE - 6- JIC/JIC F 28"	1				
22	20-026	HOSE (1/4 X 17) ~ B.DENISON FE	1				
23	4166839-05	HOSE-#6 JIC/JIC 72	1				
24	4166839-04	HOSE-#6 JIC/JIC 17.5	1				
25	4173745	HOSE-6JIC F STR/ 1/4 NPT F 14"	1				
26	20-026	HOSE (1/4 X 17) ~ B.DENISON FE	1				
27	20-026	HOSE (1/4 X 17) ~ B.DENISON FE	1				
28	20-026	HOSE (1/4 X 17) ~ B.DENISON FE	1				
29	4166826-03	HOSE-#4-6 JIC/45 JIC X 93.00	1				
30	4166826-03	HOSE-#4-6 JIC/45 JIC X 93.00	1				
31*	4167477-01	SLEEVING-2.38ID NYLON 42 IN	2				
32*	4167794-01	SLEEVING-.90 ID NYLON 38IN	4				
33*	108094-02	CLAMP-HOSE SAE12	5				
34*	11-017	SMALL HOSE CLAMP	2				
35*	56-076-02	SLEEVING-ID 1.53 NYLON 60"	4				
36	4174701-01	HOSE-3/4 VACUUM PRECUT X 15	1				
37*	4167726	CAP-12 JIC	1				
38*	4167801-01	FITTING-3/4 BARB X3/4 MJIC	1				

*NOT ILLUSTRATED

FIGURE 31

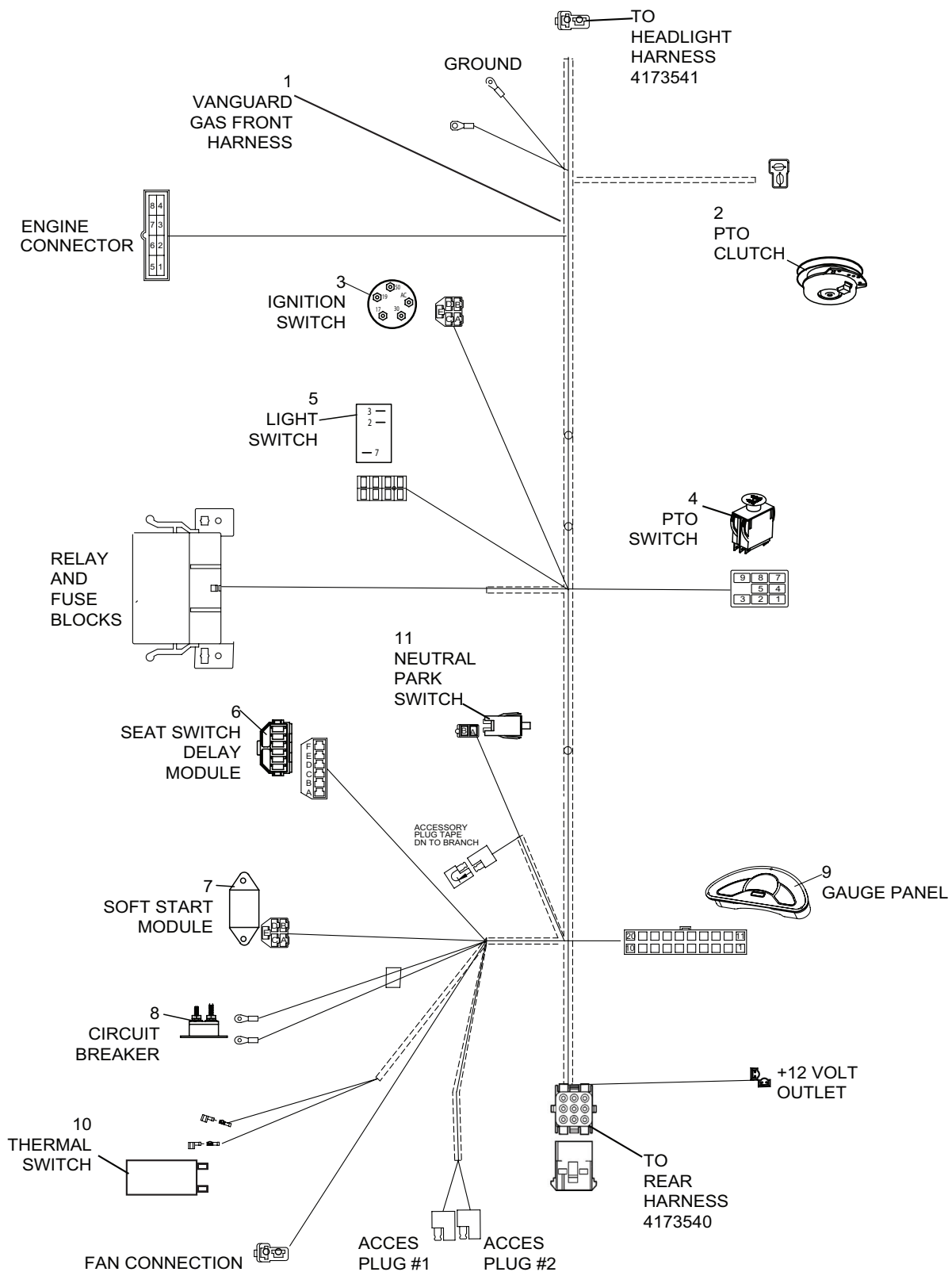


ITEM	PART NO.	DESCRIPTION	QTY	ITEM	PART NO.	DESCRIPTION	QTY
1	4173540	HARNESS-REAR, COMMON	1				
2	4167706	FUEL PUMP-ELECTRIC	1				
3	4124009	SWITCH-SEAT	1				
4	4143068	JUMPER SEAT SWITCH	1				
5	4173543	TAIL LIGHT-LED	2				
6	4173542	HARNESS-FUEL SENDER, COMMON	1				
7	4166906	SENDER-FUEL LEVEL	1				
8	4173541	HARNESS-HEADLIGHT, COMMON	1				
9	4173204	HEADLIGHT-LED	2				
10	4173889	HARNESS-WEIGHT TRANSFER	1				
11	2722325	RELAY-WEIGHT TRANSFER	1				
12		BATTERY 26-60 525CCA	1				
	GAS MODEL	OBTAIN LOCALLY					
		BATTERY, 9 X 6.81 X 8 630CCA	1				
	DIESEL MODEL	OBTAIN LOCALLY					
13	30-291	STRAP BRAIDED GROUND	1				
14	4173846	BATTERY CABLE, 13IN POSITIVE	1				
15	4173740-2	BATTERY CABLE 4GA 90IN LG BL	1				
		GAS MODELS ONLY					
	4173740-1	BATTERY CABLE 1GA 94IN LG BL	1				
		DIESEL MODEL ONLY					
16	2308095	COVER-TERMINAL	2				
17	4173739-2	CABLE-BATT POS 108IN 4GA RED	1				
		GAS MODELS ONLY					
	4173739-1	CABLE-BATT POS 108IN 1GA RED	1				
		DIESEL MODEL ONLY					
18	4173846	BATTERY CABLE, 13IN POSITIVE	1				
19	4173532	CIRCUIT BREAKER, 150A	1				
20	4174932	CONNECTOR-22-18AWG INSULATED	4				

VANGUARD EFI GAS FRONT ELECTRICAL HARNESS

STEINER 450

FIGURE 32



VANGUARD EFI GAS FRONT ELECTRICAL HARNESS

STEINER

450

FIGURE 32

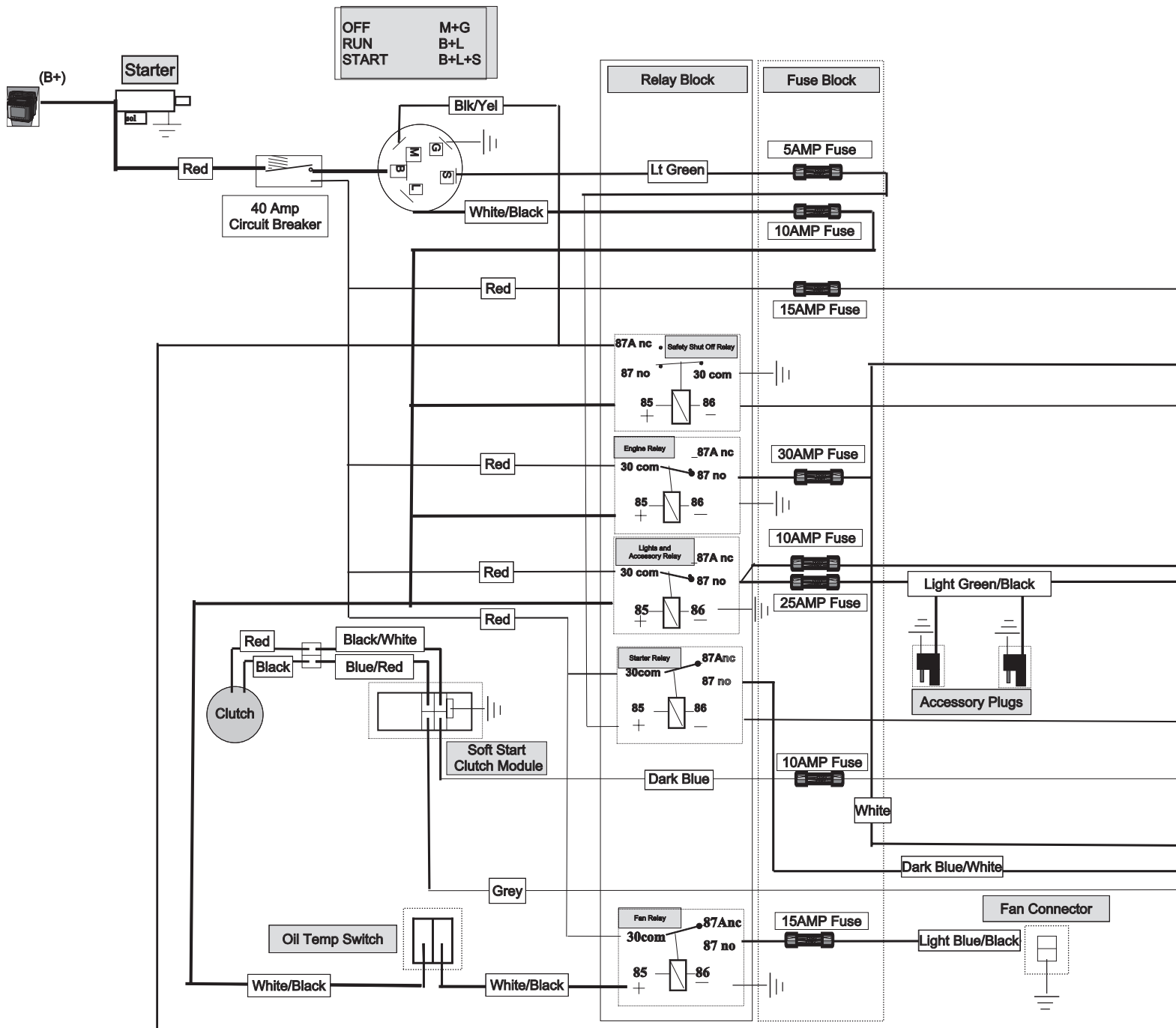
ITEM	PART NO.	DESCRIPTION	QTY	ITEM	PART NO.	DESCRIPTION	QTY
1	4173538	HARNESS-WIRE VANGUARD EFI GAS	1				
2	4167497	CLUTCH-ELEC 225 1.125 WARNER	2				
3	128010	SWITCH-IGNITION	1				
4	2721505	SWITCH-PTO	1				
5	31-051	SWITCH-V SERIES ON/OFF	1				
6	2188154	MODULE-DELAY	1				
7	4174229	MODULE-SOFT START	1				
8	48524	CIRCUIT-BREAKER 40A	1				
9	4173969	GAUGE PANEL - VANGUARD EFI GAS	1				
10	4173705	SWITCH-TEMP 130F	1				
11	38382	SWITCH-N.O. (NEUTRAL PARK)	1				
12*	2720949	PIGTAIL-CLUTCH	1				
13	4173755	RELAY-SPDT MICRO ISO 280	1				
14*		FUSES (OBTAIN LOCALLY)	8				

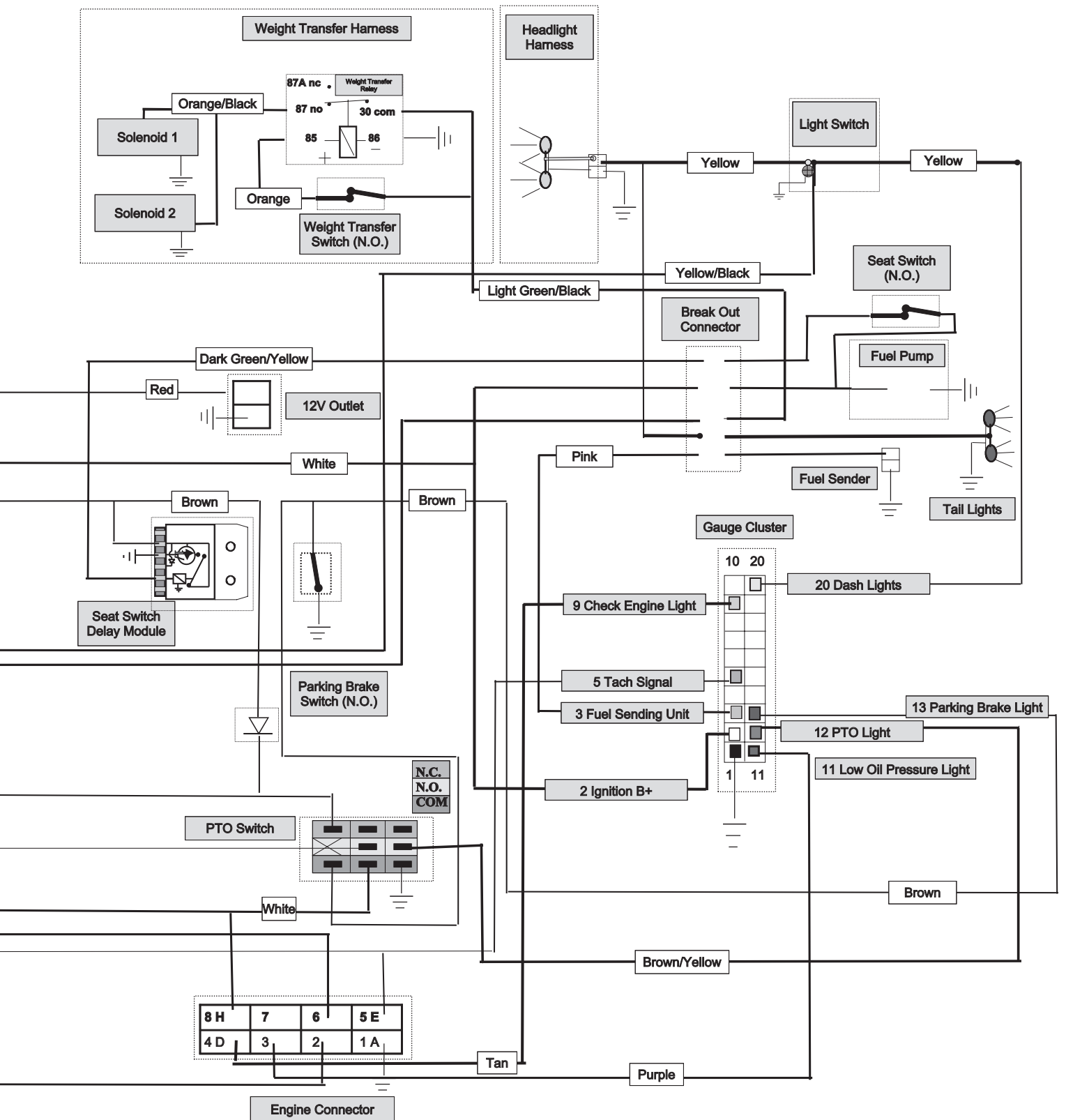
*NOT ILLUSTRATED

VANGUARD EFI GAS ELECTRICAL SCHEMATIC

STEINER 450

FIGURE 33

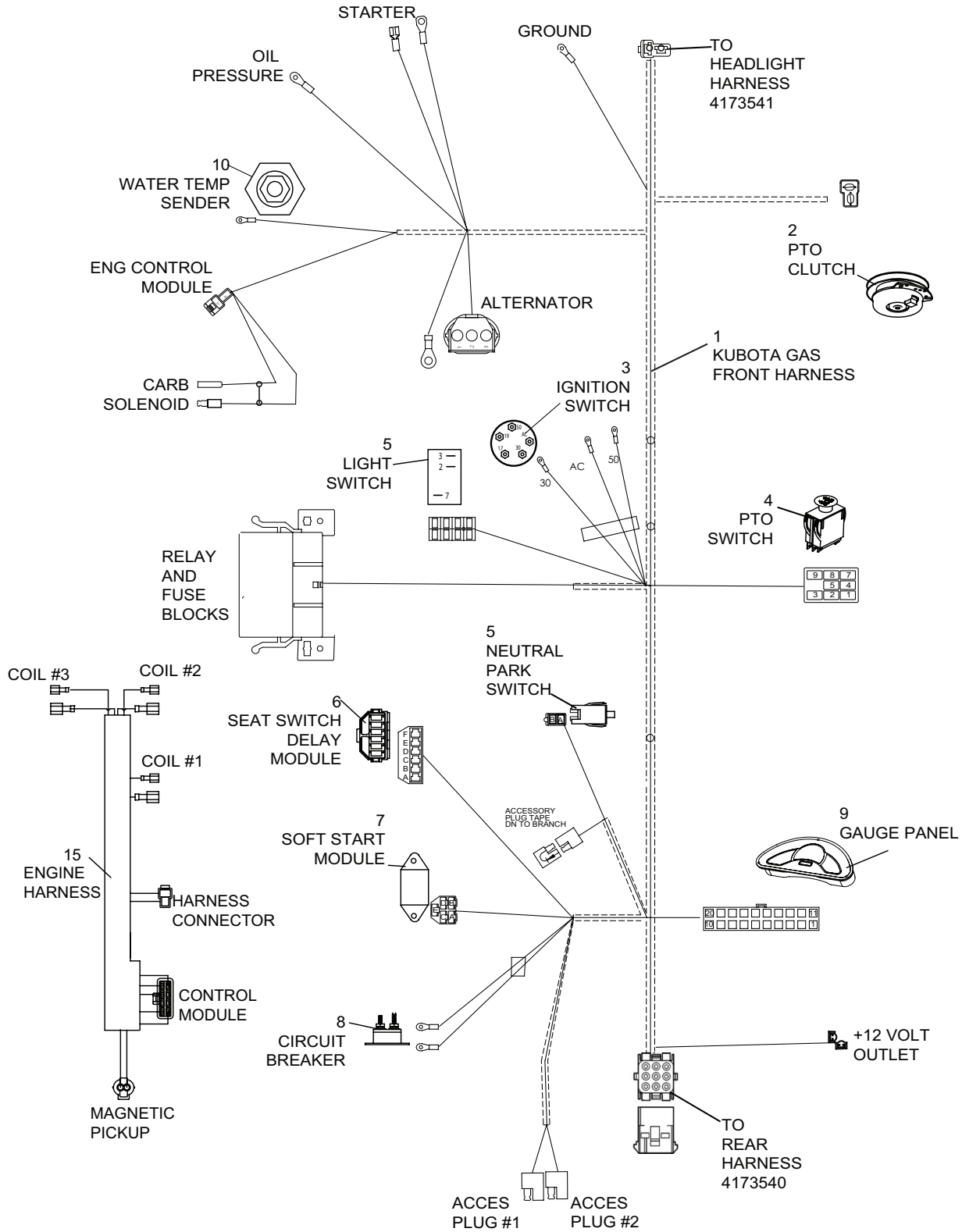




KUBOTA GAS FRONT ELECTRICAL HARNESS

STEINER 450

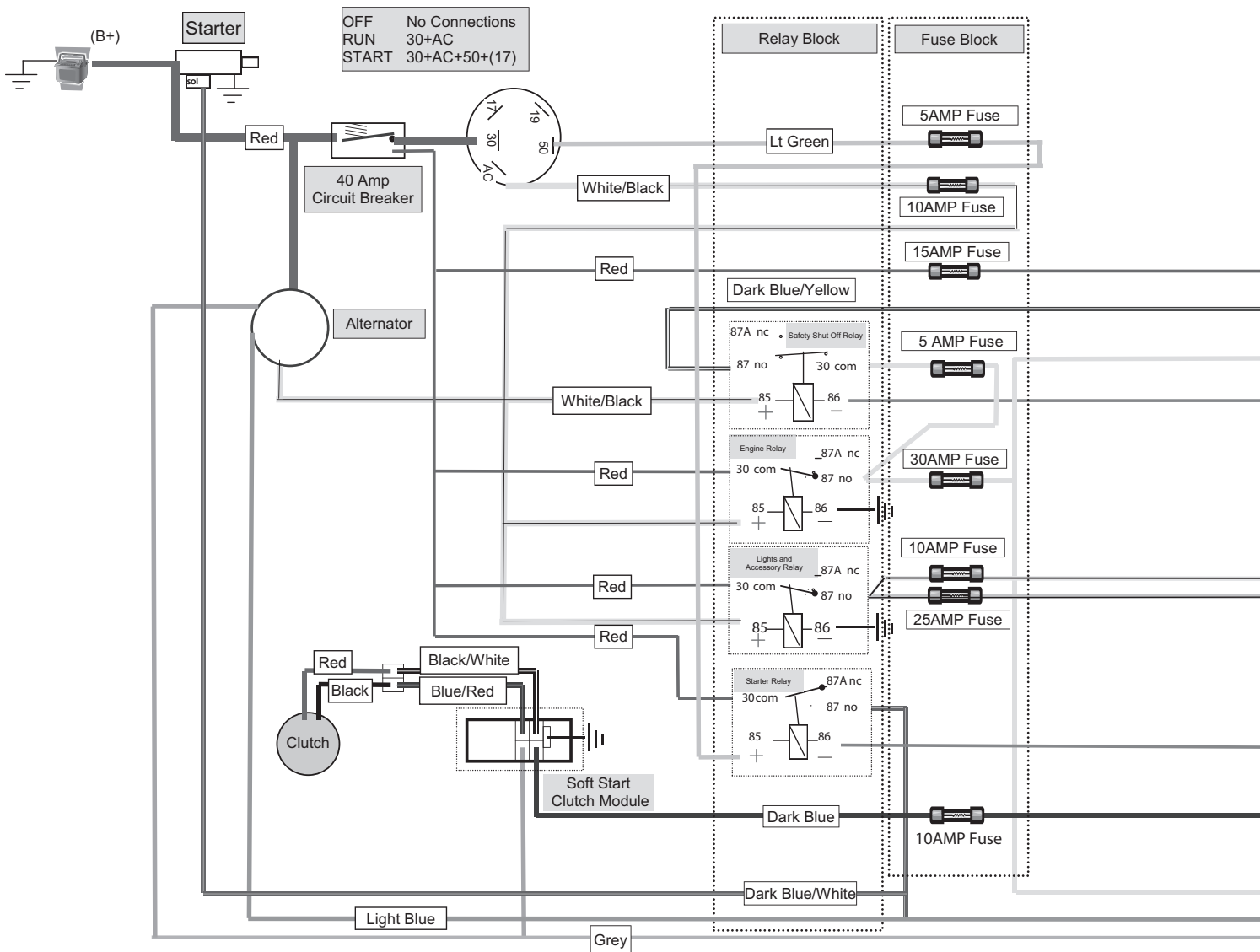
FIGURE 34



ITEM	PART NO.	DESCRIPTION	QTY	ITEM	PART NO.	DESCRIPTION	QTY
1	4173536	HARNESS-WIRE KUBOTA GAS	1				
2	4167497	CLUTCH-ELEC 225 1.125 WARNER	2				
3	EG273-6359	SWITCH-IGNITION	1				
		ORDER FROM KUBOTA					
4	2721505	SWITCH-PTO	1				
5	31-051	SWITCH-V SERIES ON/OFF	1				
6	2188154	MODULE-DELAY	1				
7	4164343	MODULE-SOFT START	1				
8	48524	CIRCUIT-BREAKER 40A	1				
9	4166804	GAUGE PANEL - KUBOTA	1				
10	4166805	SENDER-WATER TEMP	1				
11	38382	SWITCH N.O. (NEUTRAL PARK)	1				
12*	2720949	PIGTAIL-CLUTCH	1				
13	4173755	RELAY-SPDT MICRO ISO 280	1				
14*		FUSES (OBTAIN LOCALLY)	8				
15	4167340	HARNESS-ENG KUBOTA GAS	1				

***NOT ILLUSTRATED**

FIGURE 35

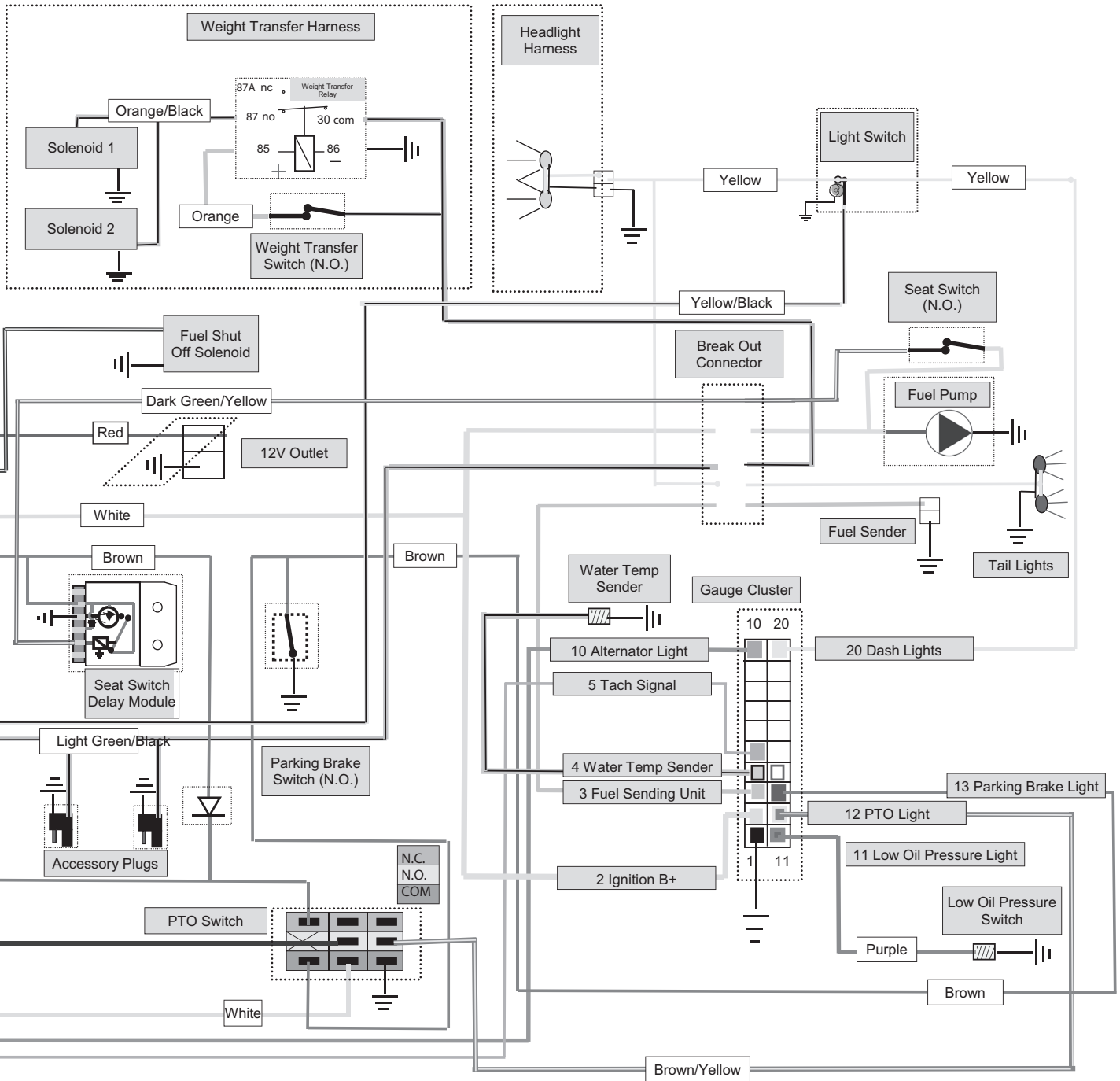


STEINER 450

KUBOTA GAS ELECTRICAL SCHEMATIC

FIGURE 35

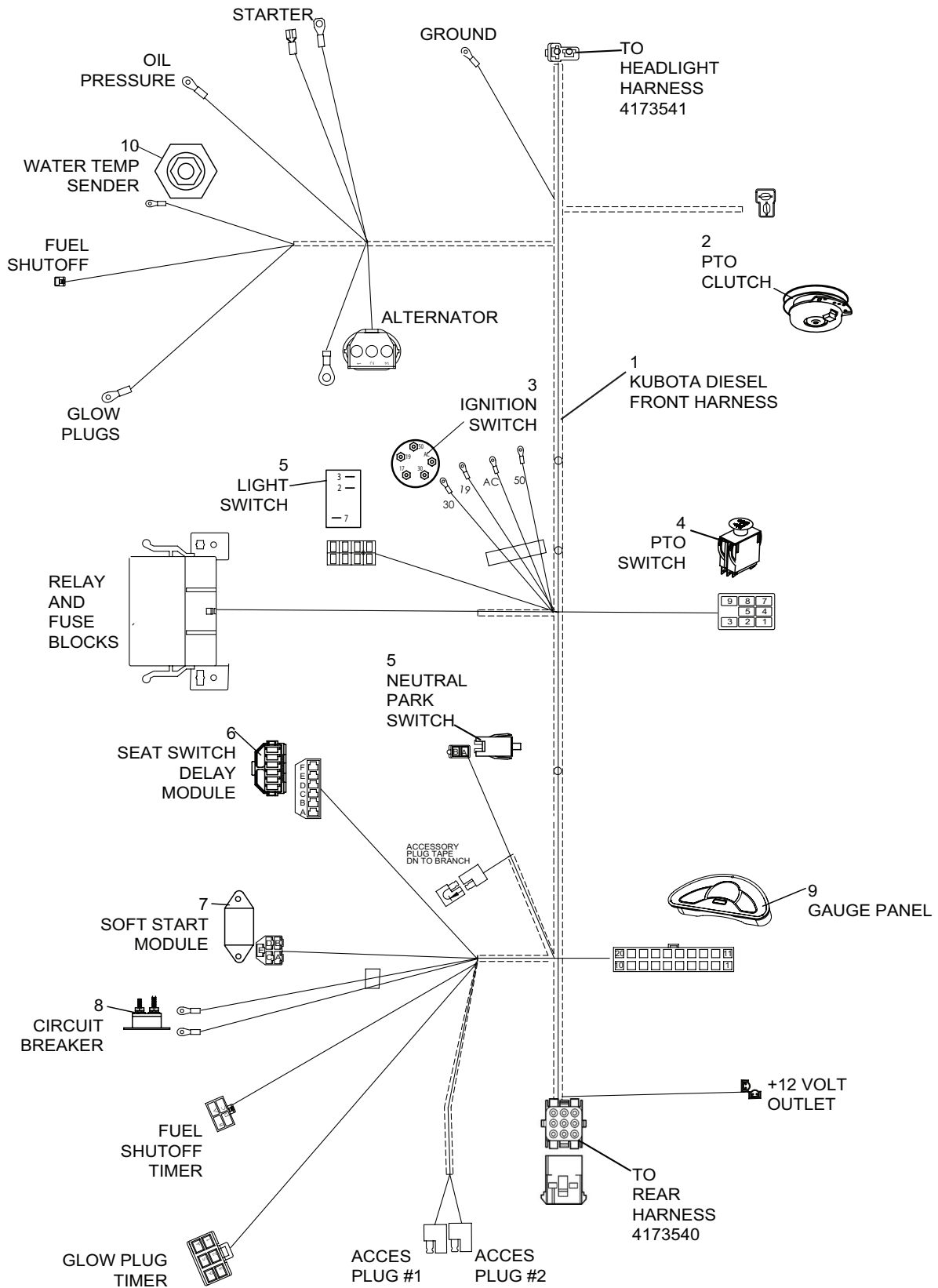
ITEM	PART NO.	DESCRIPTION	QTY	ITEM	PART NO.	DESCRIPTION	QTY
------	----------	-------------	-----	------	----------	-------------	-----



KUBOTA DIESEL FRONT ELECTRICAL HARNESS

STEINER 450

FIGURE 36



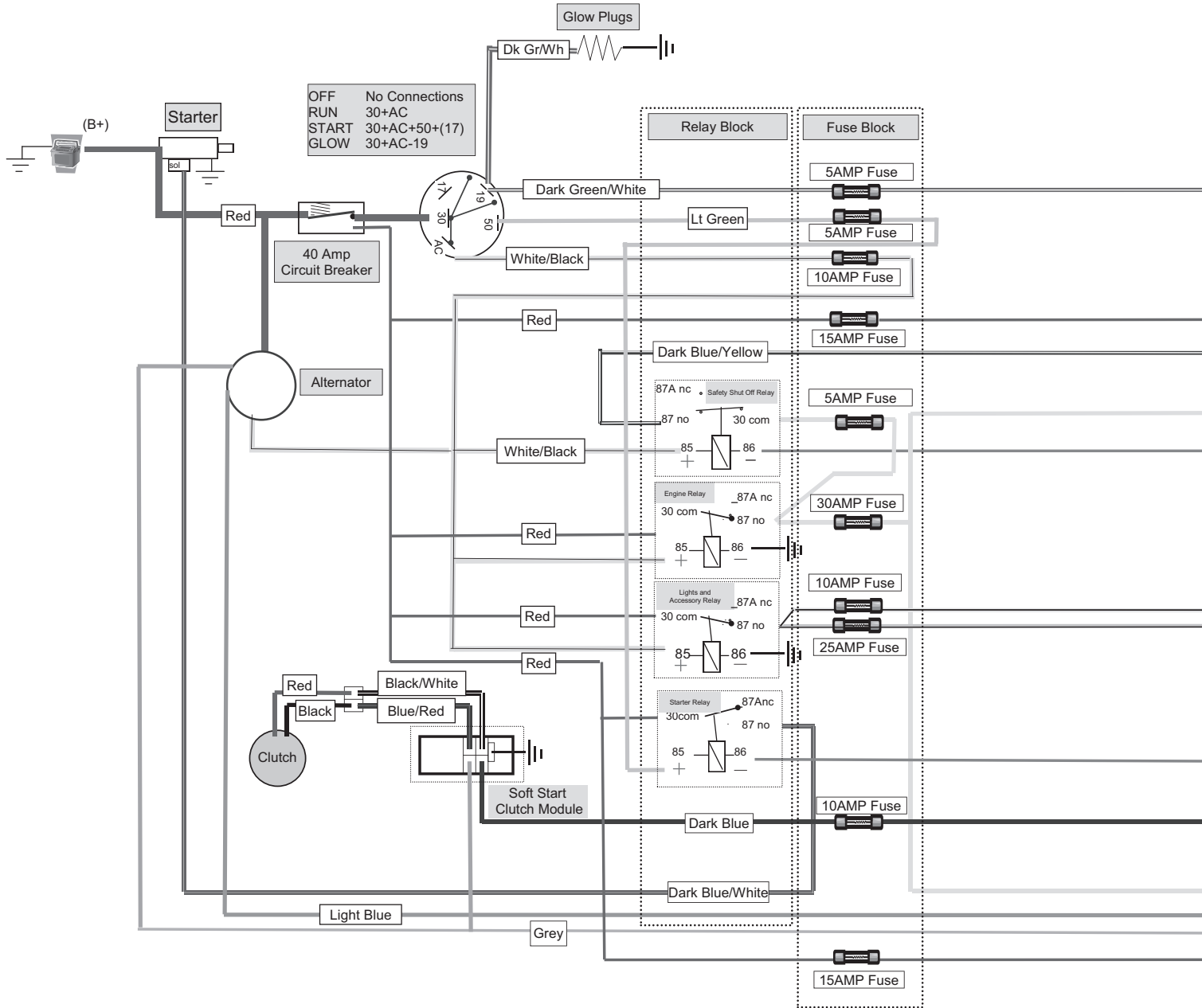
ITEM	PART NO.	DESCRIPTION	QTY	ITEM	PART NO.	DESCRIPTION	QTY
1	4173535	HARNESS-WIRE KUBOTA DIESEL	1				
2	4167497	CLUTCH-ELEC 225 1.125 WARNER	2				
3	EG273-6359	SWITCH-IGNITION	1				
		OBTAIN FROM KUBOTA					
4	2721505	SWITCH-PTO	1				
5	31-051	SWITCH-V SERIES ON/OFF	1				
6	2188154	MODULE-DELAY	1				
7	4165343	MODULE-SOFT START	1				
8	48524	CIRCUIT BREAKER 40A	1				
9	4166804	GAUGE PANEL - KUBOTA	1				
10	4166805	SENDER-WATER TEMP	1				
11	38382	SWITCH-N.O.(NEUTRAL PARK)	1				
12*	2720949	PIGTAIL-CLUTCH	1				
13	4173755	RELAY-SPDT MICRO ISO 280	1				
14*		FUSES	10				
		OBTAIN LOCALLY					

***NOT ILLUSTRATED**

KUBOTA DIESEL ELECTRICAL SCHEMATIC

STEINER 450

FIGURE 37



STEINER 450

KUBOTA DIESEL ELECTRICAL SCHEMATIC

FIGURE 37

ITEM	PART NO.	DESCRIPTION	QTY	ITEM	PART NO.	DESCRIPTION	QTY
------	----------	-------------	-----	------	----------	-------------	-----

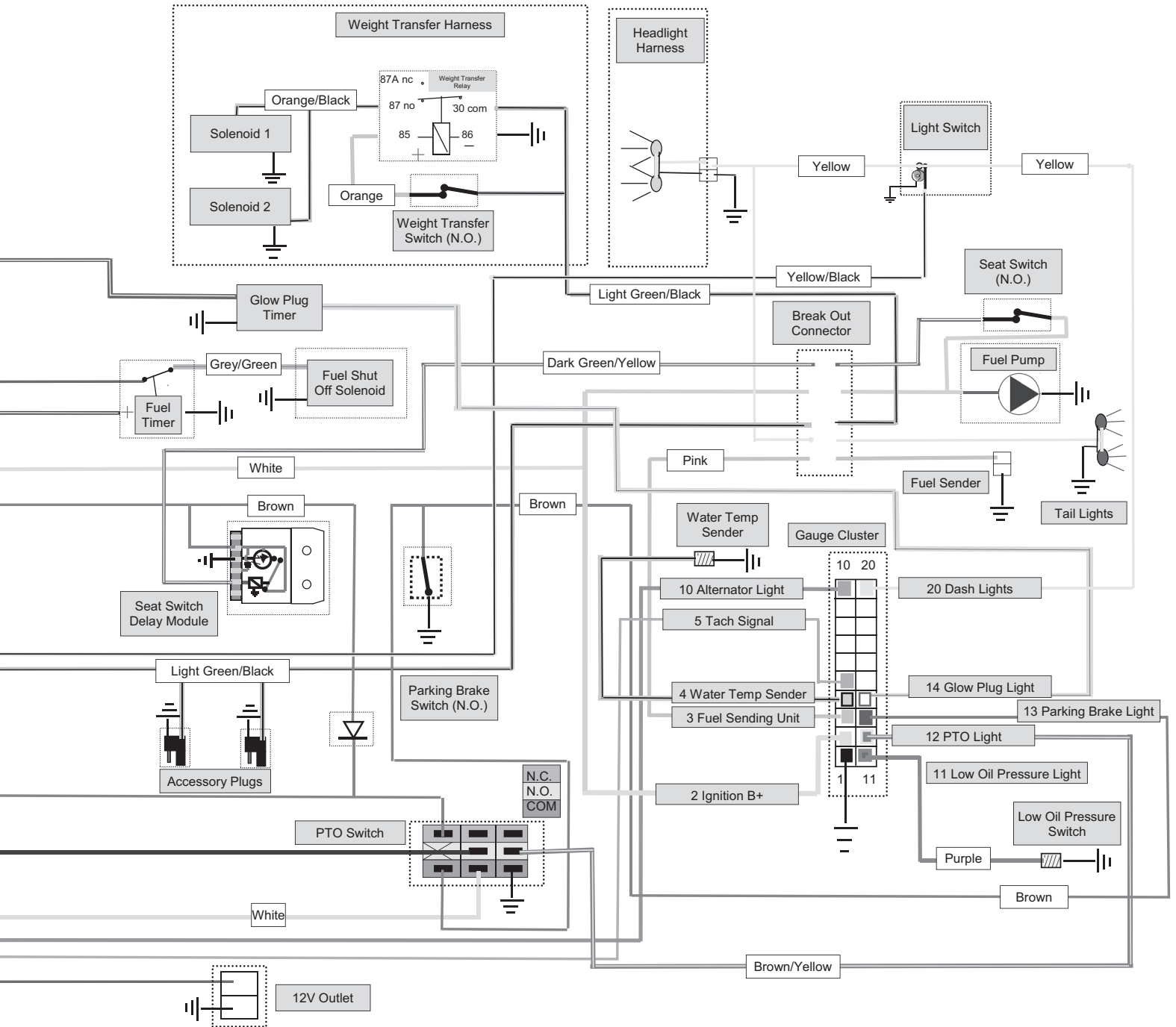


FIGURE 38

ITEM	PART NO.	DESCRIPTION	QTY	ITEM	PART NO.	DESCRIPTION	QTY
1	4160347	DECAL-FOLDING ROPS	1				
2	4167350-01	PLUG-3/8	2				
3	4162878	WASHER--.500 EPDM	2				
4	4162879	PIN-HITCH 1/2 X 2-3/4	2				
5	4160348	WSHR-FORMED RETAINER	2				
6	64123-31	BLT-HEX 1/2-13 X 3	2				
7	64151-7	NUT-CL 1/2-14	2				
8	64018-11	BLT-CRG 1/2 -13 x 3	4				
9	64229-05	NUT-1/2-13 NYLOCK	4				
10	4162880	LANYARD-NYLON 10"	2				
11	64163-54	WSHR-1/2 FLAT	4				
12	4167350.7	ASSY-ROPS BARS	1				
13	4160343	BUMPER-RUBBER W/ FLANGE	2				
14	4167350-02	PLUG-2" SQUARE	2				

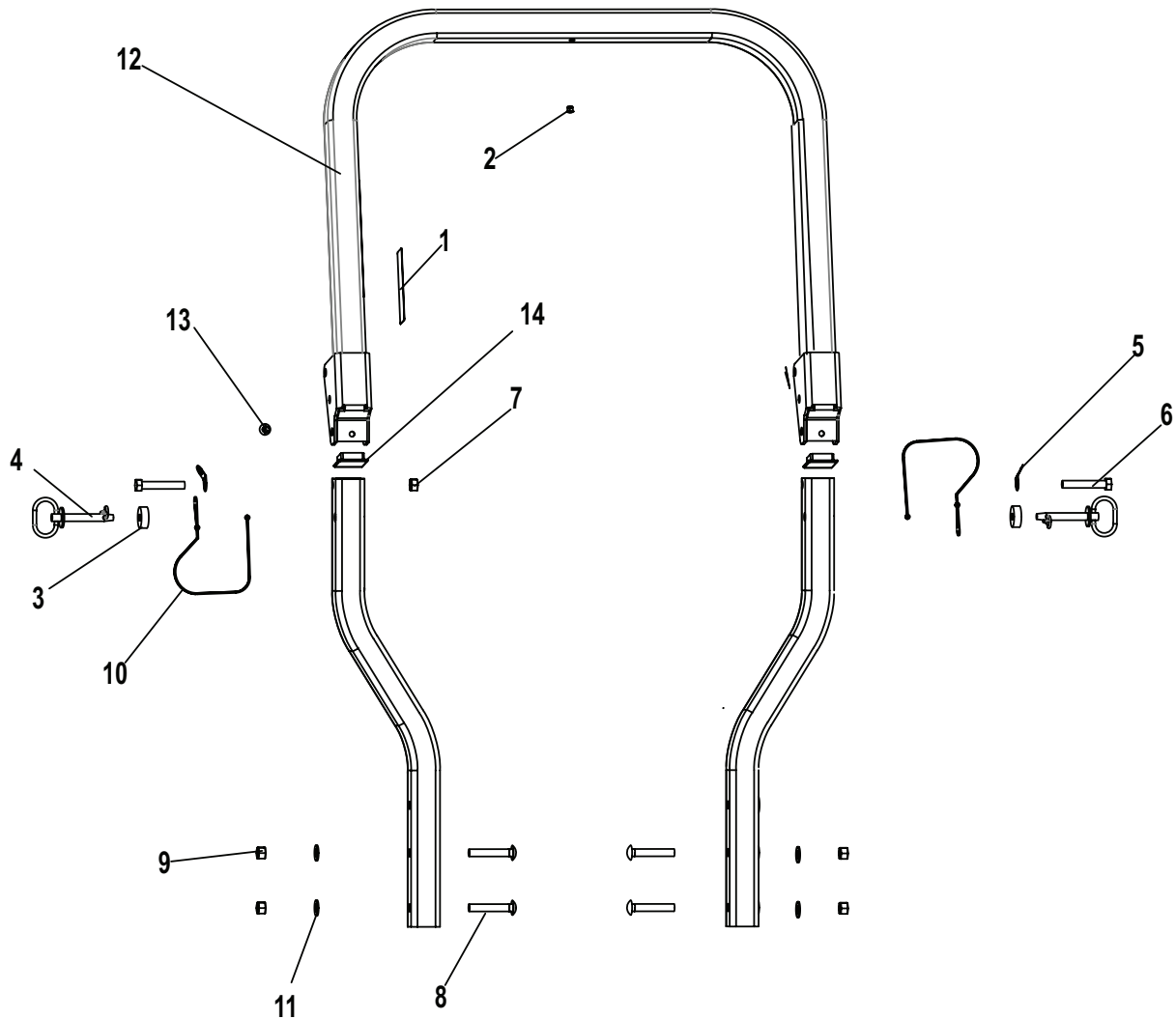
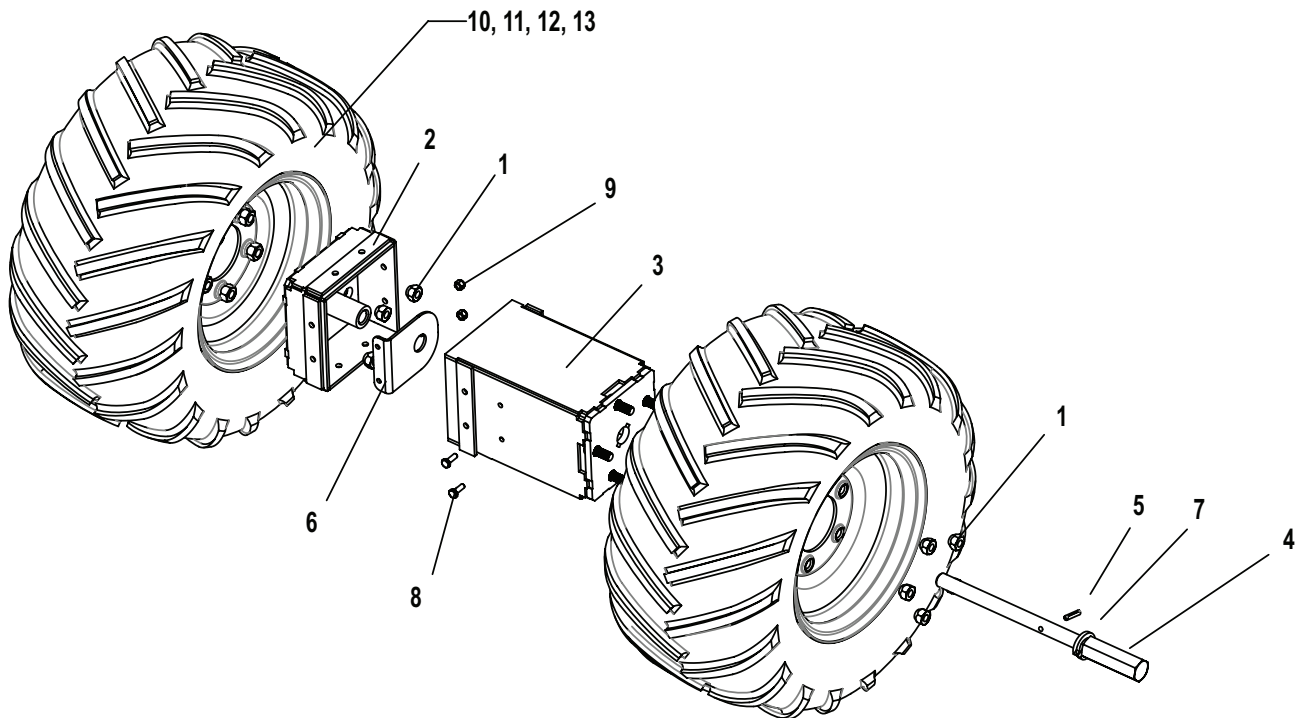


FIGURE 39

ITEM	PART NO.	DESCRIPTION	QTY	ITEM	PART NO.	DESCRIPTION	QTY
	75-71200	DW200-DUAL WHEELS, 440 FLD TRX (INCLUDES ITEM 1-9 , & 12)		10	4167166	WHEEL ASSY-CHEV 22X11.0-10 LH	2
	75-71201	DW201-DUAL WHEELS, 440 BAR TRD (INCLUDES ITEM 1-9 , 10 & 11)			4167166-01	TIRE-22X11-10 OTR CHEVER	2
	75-71202	DW202-DUAL WHEELS, 440 TURF (INCLUDES ITEM 1-9 , & 13)			4167166-02	RIM-10X8.5 5BLT WHT	2
1	64187-02	S-NUT-WHEEL 7/16-20	40	11	4167167	WHEEL ASSY-CHEV 21X11.0-10 RH	2
2	4166975.7	WLDMT-BASE, DUAL WHEEL	4		4167166-01	TIRE-22X11-10 OTR CHEVER	2
3	4166956.7	WLDMT-EXTNSN, DUAL WHEEL	4		4167166-02	RIM-10X8.5 5BLT WHT	2
4	4167376	ROD-DRAW, DUAL WHEEL	4	12	4167168	WHEEL ASSY-FIELD TRX22X12.0-10	4
5	64061-39	ROLLPIN-1/4 X 1-1/8	4		4167168-01	TIRE-FIELD TRAX 22X12-10	4
6	4167375.7	PLT-GUIDE, DUAL WHEEL	4		4167166-02	RIM-10X8.5 5BLT WHT	4
7	64006-20	LOCKWASHER-HELICAL, 7/8 I.D.	4	13	4175290	ASSY-WHEEL TURF 22X11-10 4PLY	4
8	64123-89	BLT-HEX 1/4-20X3/4	8		4175290-01	TIRE-TURF, 22X11.00-10 4PLY	4
9	64229-01	NUT-NYLON LOCK 1/4-20	8		4167166-02	RIM-10X8.5 5BLT WHT	4



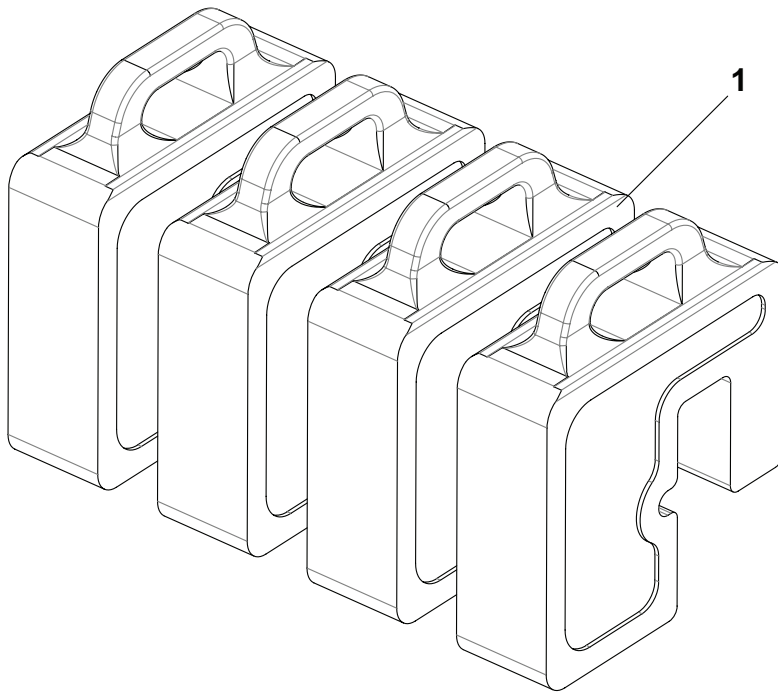
(75-71204) WB201 WEIGHT KIT

STEINER 450

FIGURE 40

ITEM	PART NO.	DESCRIPTION	QTY	ITEM	PART NO.	DESCRIPTION	QTY
1	62-540.7	50# TRACTOR BALLAST WEIGHT	4				

***NOT ILLUSTRATED**



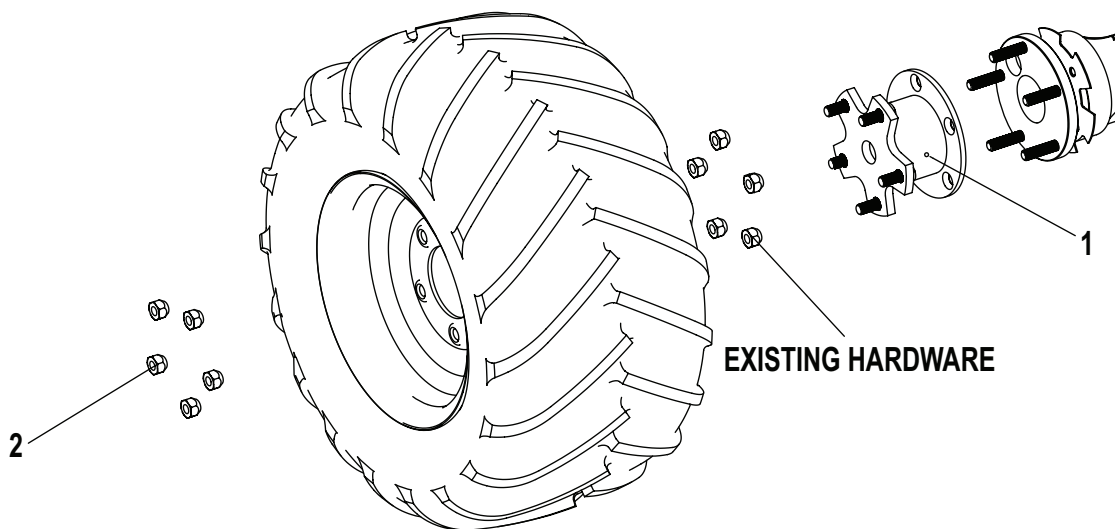
STEINER 450

(75-71206) WS200-3" WHEEL SPACER KIT

FIGURE 41

ITEM	PART NO.	DESCRIPTION	QTY	ITEM	PART NO.	DESCRIPTION	QTY
1	4167424.7	WLDMT-3IN WHEEL EXT	4				
2	64187-02	NUT-WHEEL 7/16-20	20				

*NOT ILLUSTRATED



SCHILLER GROUNDS CARE, INC.
ONE BOB-CAT LANE
P.O. BOX 469
JOHNSON CREEK, WI 53038
920-699-2000
www.schillergc.com



©Schiller Grounds Care, Inc. 2010