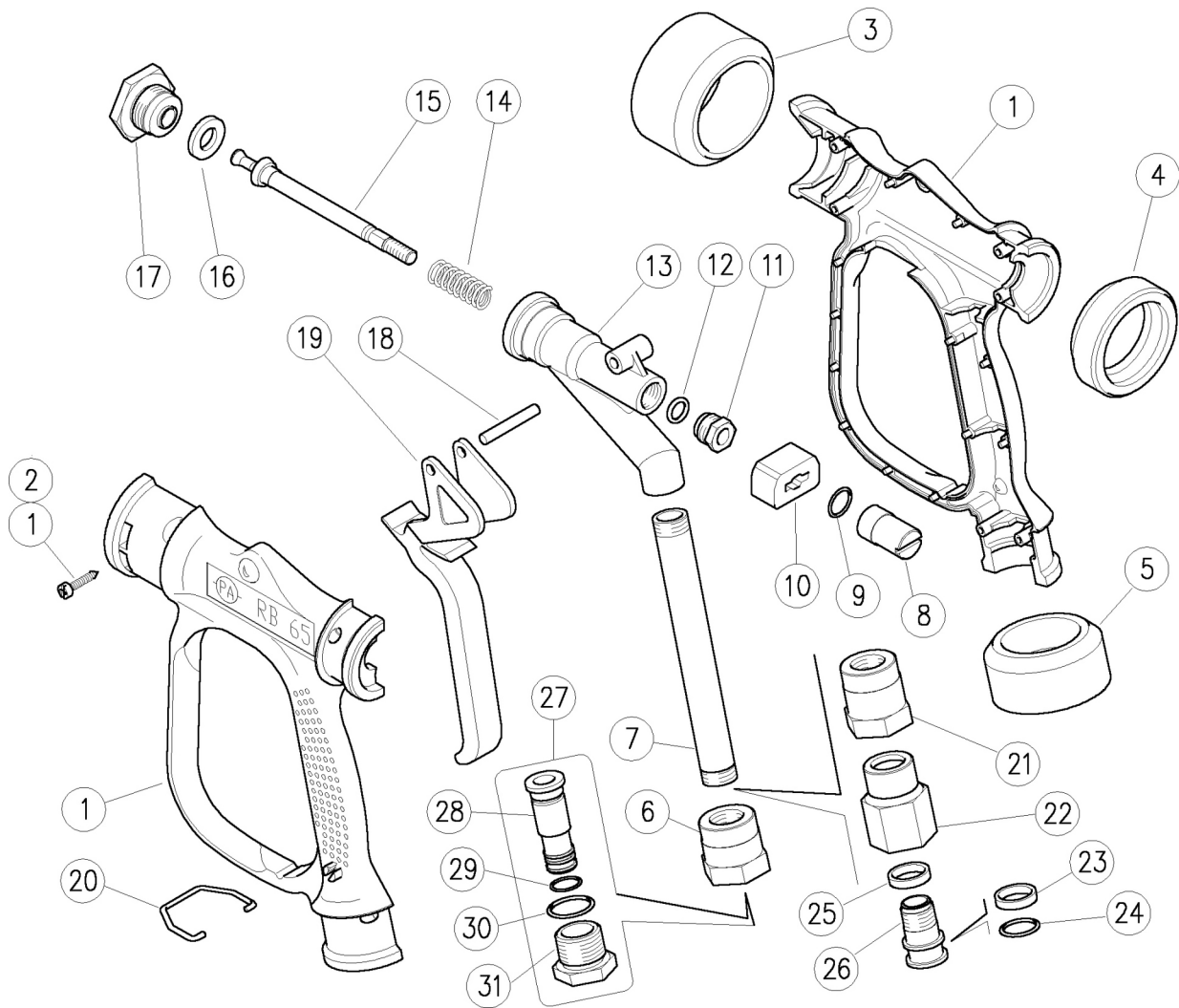


30.6400.00 RB65 spray gun,brass 1/2F Bsp adj.nzl  
 30.6425.00 RB65 sp.gun,brass+sw.5 1/2F Bsp adj.nzl  
 30.6430.00 Swivel, brass -RB65+13mm h.barb

30.6440.00 RB65 sp.gun, brass 1/2F adj.nozzle -100  
 30.6445.00 RB65 sp.gun, brass+sw5 1/2F adjust.nozzle



Pos.	P/N	Description	Q.ty	K1	K2	K3	K4
1	30.6420.24	Casing-kit -RB65-60L +screws, Sst. (1)	1				1
1	30.6446.24	Casing-kit -RB65-100L +scr. Sst. (2)	1				1
2	16.3075.51	S/tapping screw, DIN7981 3,5x18 mm Sst.	6				10
3	30.6412.84	Front guard ring, TPEs blue	1				5
4	30.6413.84	Back guard ring, TPEs blue	1				5
5	30.6414.84	Lower guard ring, TPEs blue	1				5
6	30.6407.31	Coupl., M16x1,5F-1/2F Bsp brass (1)	1				3
7	30.6409.36	Tube, M16x1,5 FF 130 mm brass	1				5
8	30.6418.31	Regulating pin, M7	1				5
9	10.3091.10	O-ring, 2x14 mm Vi 70	1	•	•	•	10
10	30.6404.84	Sliding block, PA blue (1)	1				5
10	30.6443.84	Sliding block, PA red (2)	1				5
11	30.6417.31	Plug, M14x1 M brass	1				5
12	10.3170.10	O-ring, 2,62x7,6 mm Vi 70	1	•	•	•	10
13	30.6405.35	Housing -RB65, brass	1				3
14	30.6410.51	Spring, 1,8x12,8x40 mm Sst.	1		•	•	10
15	30.6406.31	Piston -RB65, brass 60L/min (1)	1		•		5
15	30.6442.31	Piston -RB65, brass 100L/min (2)	1			•	5

Pos.	P/N	Description	Q.ty	K1	K2	K3	K4
16	30.6408.85	Front seal, 11x20,5x3 mm FKM80	1	•	•	•	10
17	30.6403.31	Front Coupl. -RB65, brass 60L/min (1)	1				5
17	30.6441.31	Front coupl. -RB65, brass 100L/min (2)	1				5
18	30.6428.31	Parallel pin, 5x38 mm brass	1				5
19	30.6411.84	Trigger -RB65, PA blue (1)	1				10
19	30.6444.84	Trigger -RB65, PA red (2)	1				5
20	30.6415.51	Trigger retainer, Sst.	1				5
21	30.6426.31	Coupl. -SW, M15x1F-M16x1,5F (3)	1				3
22	30.6427.31	Coupl. -SW, 1/2F Bsp (3)	1				5
23	26.1075.85	Bushing, open 15,5x19x4 mm PTFE (3)	1				5
24	10.3092.10	O-ring, 2x15 mm Vi 70 (3)	1				10
25	26.1074.85	Bushing, 15,5x19x4 mm PTFE (3)	1				5
26	26.1072.31	Pin, M15x1-19 mm brass (3)	1				10
27	30.6430.00	Swivel, brass -RB65+13mm h.barb	1				10
28	30.6431.31	13mm hose barb, brass	1				3
29	10.3060.00	O-ring, 1,78x12,42 mm	1				10
30	10.3092.90	O-ring, 2x19 mm	1				10
31	30.6432.31	Coupl. -SW, 1/2M Bsp brass	1				3

Kit	P/N	Description	Q.ty
K1	30.6422.24	Seals spares kit -RB65, 3x1pcs.	1
K2	30.6423.24	Repair kit -RB65-60L, 5x1pcs.	1
K3	30.6424.24	Repair kit -RB65-100L, 5x1pcs.	1

(1) 30.6400.00 (2) 30.6440.00 (3) 30.6425.00